

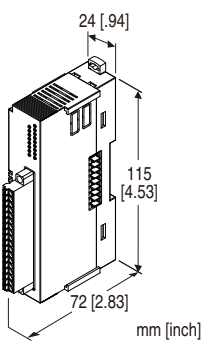
Remote I/O R8 Series

NPN TRANSISTOR OUTPUT MODULE, 16 points

(with shortcircuit protection, tension clamp terminal block)

Functions & Features

- 16 channels for discrete output, compact size remote I/O module
- 18 pins tension clamp connector



MODEL: R8-DCT16A2[1]

ORDERING INFORMATION

- Code number: R8-DCT16A2[1]
- Specify a code from below for [1].
(e.g. R8-DCT16A2/Q)
- Specify the specification for option code /Q
(e.g. /C01)

[1] OPTIONS

blank: none

/Q: With options (specify the specification)

SPECIFICATIONS OF OPTION: Q

COATING (For the detail, refer to M-System's web site.)

/C01: Silicone coating

/C02: Polyurethane coating

RELATED PRODUCTS

- PC configurator software (model: R8CFG)
Downloadable at M-System's web site.
A dedicated cable is required to connect the module to the PC. Please refer to the internet software download site or the users manual for the PC configurator for applicable cable types.

GENERAL SPECIFICATIONS

Connection

- **Output:** Tension clamp

Applicable wire size: 0.2 - 1.5 mm²

Stripped length: 10 mm

- **Excitation supply, internal bus:**

Connected to internal bus connector

- **Internal power:** Via bus connector

Isolation: Output or exc. supply to internal bus or internal power

Module address: With DIP switch

Output at the loss of communication: Selectable with the side DIP SW

Terminating resistor: Built-in (DIP Switch, default: disable)

Configuration mode: With DIP switches on the side panel

Status indicator: Bi-color (red/green) LED; Refer to the instruction manual.

Discrete output status indicators: Green LED; Refer to the instruction manual.

OUTPUT SPECIFICATIONS

Common: Negative common (NPN) per 16 points

Maximum outputs applicable at once: No limit (at 24 V DC)

Number of output: 16 points

Rated load voltage: 24 V DC $\pm 10\%$

Rated output current: 0.1 A per point, 1.6 A per common

Residual voltage: ≤ 0.5 V

Leakage current: ≤ 0.1 mA

ON delay: ≤ 0.5 msec.

OFF delay: ≤ 1.5 msec.

With shortcircuit protection

With overheat protection

(When driving an inductive load, connect a diode in parallel with the load.)

INSTALLATION

Max. current consumption: 110 mA

Operating temperature: -10 to +55°C (14 to 131°F)

Operating humidity: 30 to 90 %RH (non-condensing)

Atmosphere: No corrosive gas or heavy dust

Mounting: DIN rail

Weight: 110 g (0.24 lb)

PERFORMANCE

Data allocation: 1

Module addresses in use: 1

Power output (output connector): Rated current 3 A DC
(rated current 3 A for internal fuse (slow blow fuse i²t (A²sec.) max. 5.04)

Insulation resistance: ≥ 100 M Ω with 500 V DC

Dielectric strength: 1500V AC @1 minute

(output or exc. supply to internal bus or internal power to ground)

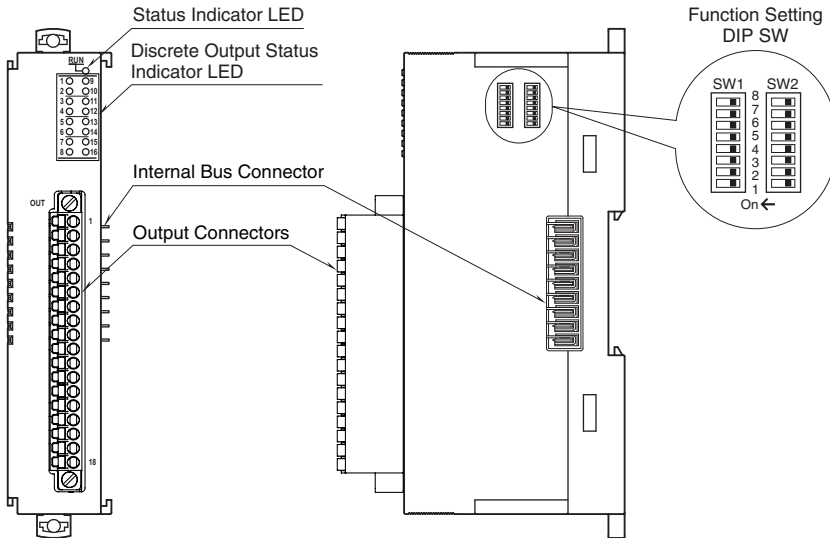
STANDARDS & APPROVALS

EU conformity:
EMC Directive
EMI EN 61000-6-4
EMS EN 61000-6-2
RoHS Directive

EXTERNAL VIEW

■ FRONT VIEW

■ SIDE VIEW



OPERATING MODE SETTING

(*) Factory setting

Caution ! - SW2-1, 2-2, 2-3, 2-4, 2-7 are unused. Be sure to turn off unused ones.

■ Module Address

SW1-1 through 1-4 determine the tenth place digit, while SW1-5 through 1-8 do the ones place digit of the module address.

Address is selected between 0 to 31.

(Factory setting: 0)

| MODULE ADDRESS | SW1 | | | | |
|----------------|-----|-----|-----|-----|-----|
| | ×10 | 1 | 2 | 3 | 4 |
| | ×1 | 5 | 6 | 7 | 8 |
| 0 | | OFF | OFF | OFF | OFF |
| 1 | | OFF | OFF | OFF | ON |
| 2 | | OFF | OFF | ON | OFF |
| 3 | | OFF | OFF | ON | ON |
| 4 | | OFF | ON | OFF | OFF |
| 5 | | OFF | ON | OFF | ON |
| 6 | | OFF | ON | ON | OFF |
| 7 | | OFF | ON | ON | ON |
| 8 | | ON | OFF | OFF | OFF |
| 9 | | ON | OFF | OFF | ON |

■ Output at the Loss of Communication

| OUTPUT AT THE LOSS OF COMMUNICATION | SW2 |
|---|-----|
| | 5 |
| Output Hold (*) (last data correctly received is hold) | OFF |
| Stop output (Output fixed at OFF) | ON |

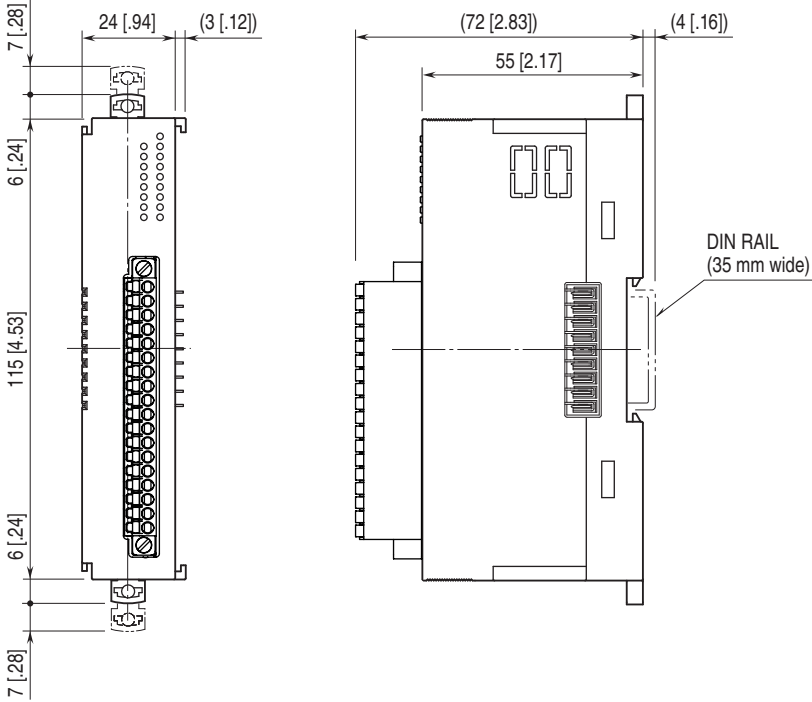
■ Terminator DIP SW

| TERMINATOR SW | SW2 |
|---------------|-----|
| | 6 |
| Without (*) | OFF |
| With | ON |

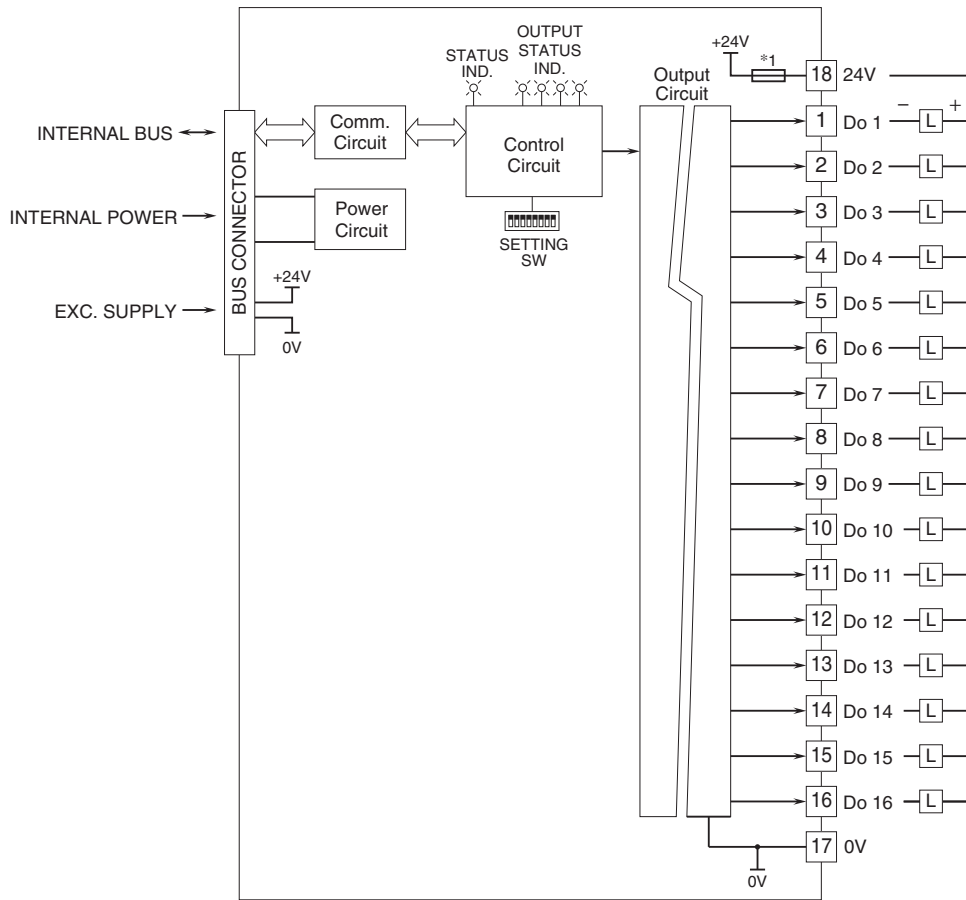
■ Configuration Mode

| CONFIGURATION MODE | SW2 |
|-----------------------------------|-----|
| | 8 |
| DIP switch setting (*) | OFF |
| PC Configurator and communication | ON |

EXTERNAL DIMENSIONS unit: mm [inch]

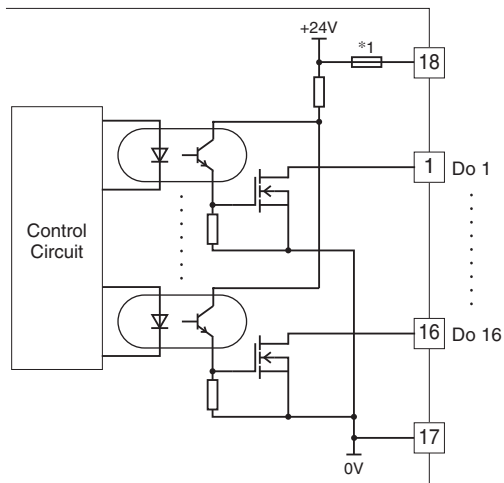


SCHEMATIC CIRCUITRY & CONNECTION DIAGRAM



*1. Fuse is not replaceable.

■ OUTPUT CIRCUIT



Specifications are subject to change without notice.