

Position Sensors

CLAMP SET

Functions & Features

- Clamp set connecting M-System's Position Transmitter (e.g. model VOS2T) to a linear motion valve
- Includes a clamp holding the valve (actuator stem) and a lever connecting it to the Position Transmitter

MODEL: VOCP

ORDERING INFORMATION

- Code number: VOCP

GENERAL SPECIFICATIONS

Material

Clamp: Carbon steel

Other parts: Stainless steel

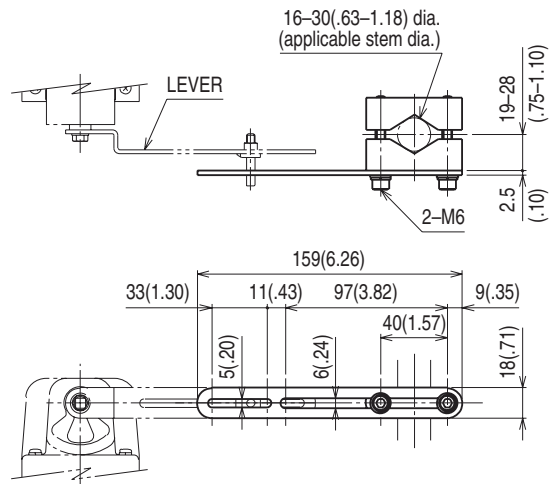
Coating on the clamp: Chromate

Maximum stroke: 330 mm (with the position transmitter input -22.5 to +22.5°)

INSTALLATION

Weight: 310 g (0.68 lb)

DIMENSIONS unit: mm (inch)



Specifications are subject to change without notice.