

Position Sensors

ADAPTOR SET

(VOS2T use)

Functions & Features

- Used to replace the VOS Series with the VOS2T
- Adaptor plate with a dedicated lever adjusts the mounting hole positions of the two models without need for extra fitting
- Clamp Set (model: VOCP) connecting the VOS with a valve can be also used

MODEL: VOAT-[1]

ORDERING INFORMATION

- Code number: VOAT-[1]

Specify a code from below for [1].

(e.g. VOAT-A)

[1] LEVER

A: Attached to the upper side

Effective radius 20 - 30 mm (0.79" - 1.18")

B: Attached to the upper side

Effective radius 25 - 60 mm (0.98" - 2.36")

C: Attached to the upper side

Effective radius 30 - 100 mm (1.18" - 3.94")

D: Attached to the lower side

Effective radius 10 - 30 mm (0.39" - 1.18")

E: Attached to the lower side

Effective radius 25 - 60 mm (0.98" - 2.36")

F: Attached to the lower side

Effective radius 30 - 100 mm (1.18" - 3.94")

GENERAL SPECIFICATIONS

Materials

Lever: Stainless steel

Adaptor plate: Aluminium alloy

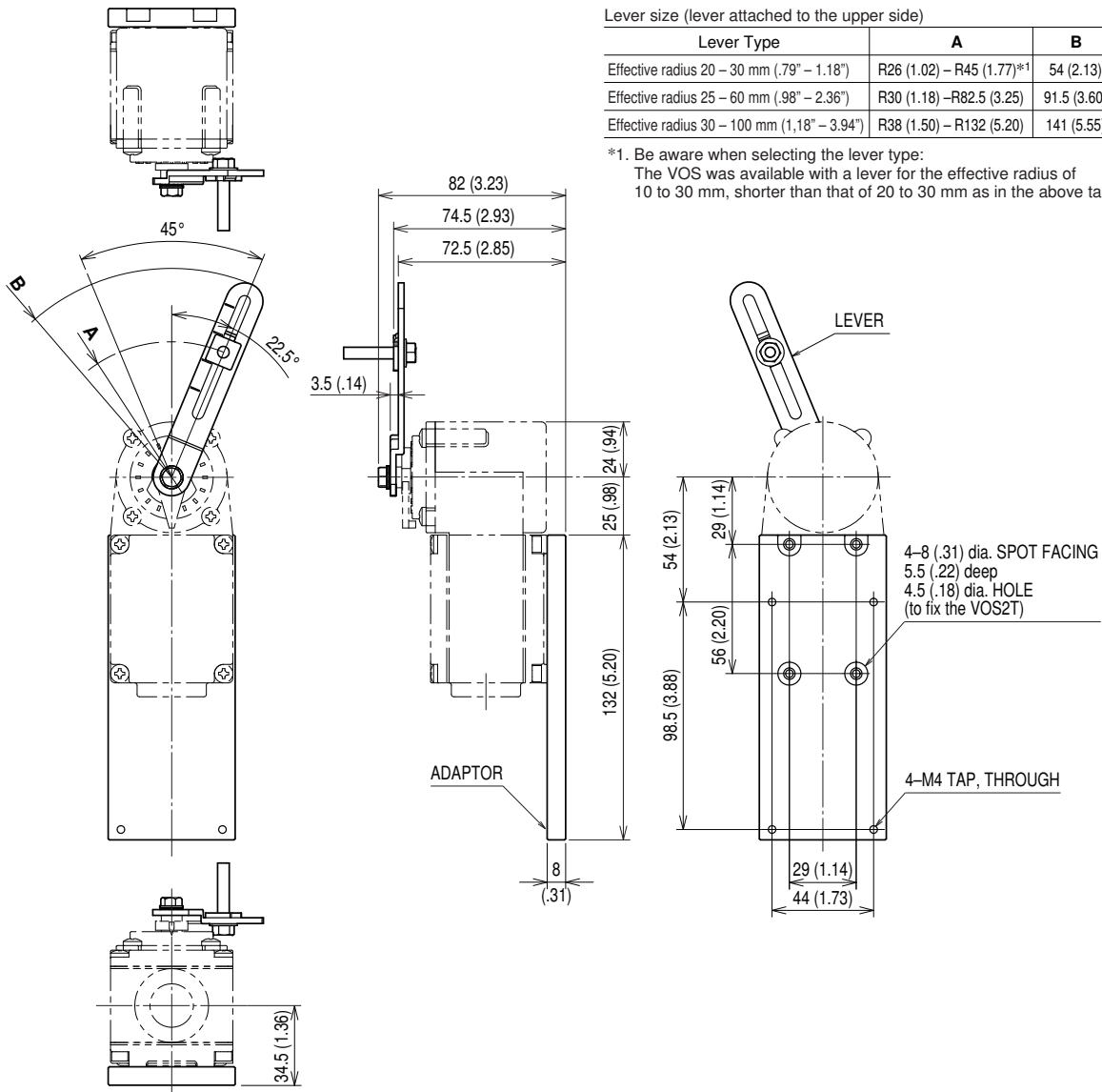
Adaptor's surface treatment: Anodizing

INSTALLATION

Weight: 175 g (0.39 lb)

DIMENSIONS unit: mm (inch)

• Lever Attached to the Upper Side

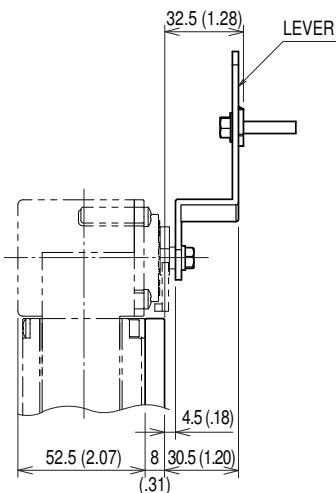


Lever size (lever attached to the upper side)

Lever Type	A	B
Effective radius 20 – 30 mm (.79" – 1.18")	R26 (1.02) – R45 (1.77)*1	54 (2.13)
Effective radius 25 – 60 mm (.98" – 2.36")	R30 (1.18) – R82.5 (3.25)	91.5 (3.60)
Effective radius 30 – 100 mm (1.18" – 3.94")	R38 (1.50) – R132 (5.20)	141 (5.55)

*1. Be aware when selecting the lever type:
The VOS was available with a lever for the effective radius of 10 to 30 mm, shorter than that of 20 to 30 mm as in the above table.

• Lever Attached to the Lower Side



Lever size (lever attached to the lower side)

Lever Type	A	B
Effective radius 10 – 30 mm (.39" – 1.18")	R12 (.47) – R45 (1.77)	54 (2.13)
Effective radius 25 – 60 mm (.98" – 2.36")	R30 (1.18) – R82.5 (3.25)	91.5 (3.60)
Effective radius 30 – 100 mm (1.18" – 3.94")	R38 (1.50) – R132 (5.20)	141 (5.55)



Specifications are subject to change without notice.