

Position Sensors

ADAPTOR SET

(VOS2T-R use)

Functions & Features

- Used to replace the VOS-R Series with the VOS2T-R
- Adaptor plate with a dedicated lever adjusts the mounting hole positions of the two models without need for extra fitting
- Link Set (model: VOLK) connecting the VOS-R with a valve can be also used

MODEL: VOAR-[1]

ORDERING INFORMATION

- Code number: VOAR-[1]
- Specify a code from below for [1].
(e.g. VOAR-A)

[1] LEVER

A: Attached to the upper side

Effective radius 24 - 40 mm (0.94" - 1.57")

B: Attached to the upper side

Effective radius 35 - 80 mm (1.38" - 3.15")

C: Attached to the upper side

Effective radius 40 - 130 mm (1.57" - 5.12")

D: Attached to the lower side

Effective radius 15 - 40 mm (0.59" - 1.57")

E: Attached to the lower side

Effective radius 35 - 80 mm (1.38" - 3.15")

F: Attached to the lower side

Effective radius 40 - 130 mm (1.57" - 5.12")

GENERAL SPECIFICATIONS

Materials

Lever: Stainless steel

Adaptor plate: Aluminium alloy

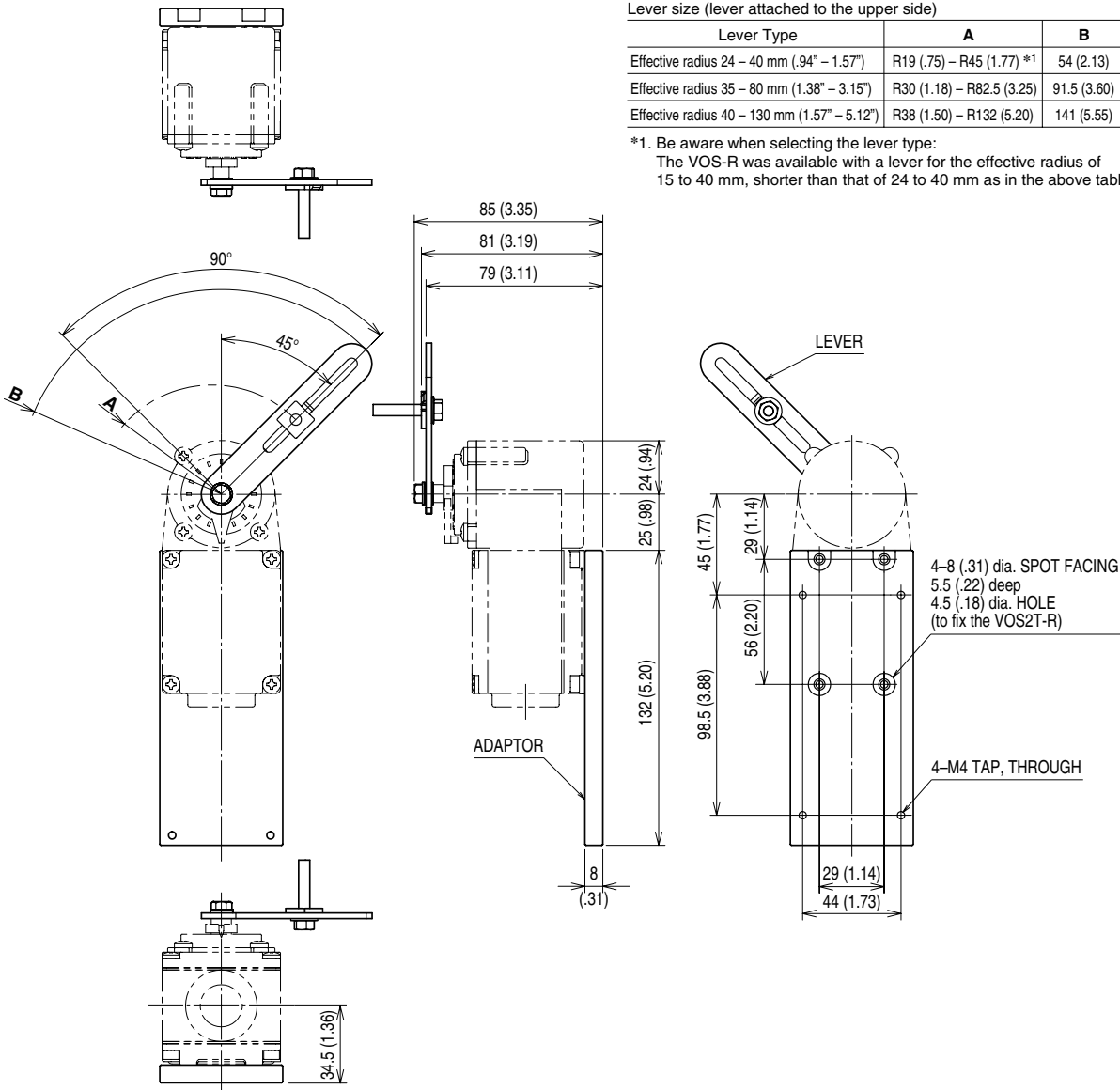
Adaptor's surface treatment: Anodizing

INSTALLATION

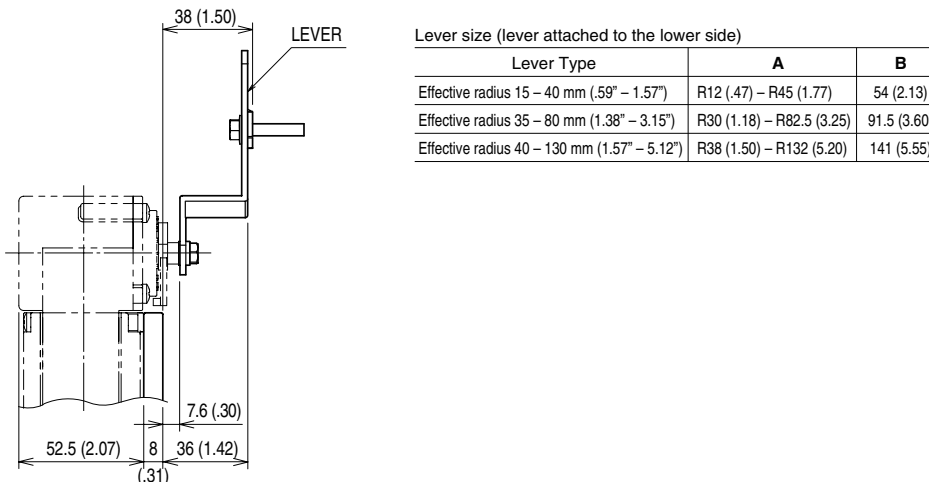
Weight: 175 g (0.39 lb)

DIMENSIONS unit: mm (inch)

• Lever Attached to the Upper Side



• Lever Attached to the Lower Side





Specifications are subject to change without notice.