

Super-mini Two-wire Signal Conditioners T-UNIT

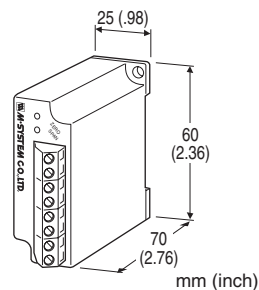
POTENTIOMETER TRANSMITTER

Functions & Features

- Providing a 4 – 20 mA DC signal proportional to a potentiometer or slidewire position input
- Constant voltage excitation allows use with pots with total resistances from 100 Ω – 2 kΩ without affecting accuracy
- Minimal interaction between zero and span adjustments
- Monitor terminals
- High-density mounting

Typical Applications

- Tank levels
- Positions



MODEL:TM

ORDERING INFORMATION

- Code number: TM

GENERAL SPECIFICATIONS

Construction: Stand-alone; terminal access at the front

Connection: Euro type terminal

(applicable wire size: 0.25 to 1.5 mm², stripped length 7 mm)

Housing material: Flame-resistant resin (black)

Zero adjustment: 0 – 10 % (front)

Span adjustment (front):

50 – 100 % (of total resistance): 135 Ω or above

70 – 100 % (of total resistance): Below 135 Ω

INPUT SPECIFICATIONS

Potentiometer: 100 Ω – 2 kΩ

Minimum span: 50 % of total resistance ($\geq 135 \Omega$); $\geq 70 \%$ of total resistance ($< 135 \Omega$)

Excitation: Approx. 0.2 V DC

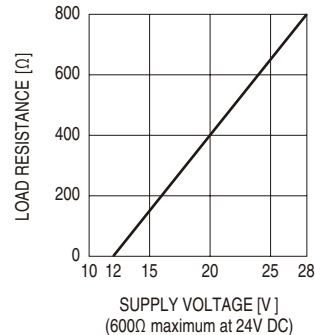
OUTPUT SPECIFICATIONS

Output: 4 – 20 mA DC

Load resistance vs. supply voltage:

Load Resistance (Ω) = (Supply Voltage (V) – 12 (V)) ÷ 0.02

(A) (including leadwire resistance)



INSTALLATION

Supply voltage: 12 – 28 V DC

Operating temperature: -5 to +60°C (23 to 140°F)

Operating humidity: 30 to 90 %RH (non-condensing)

Mounting: Surface or DIN rail

Weight: 120 g (0.26 lb)

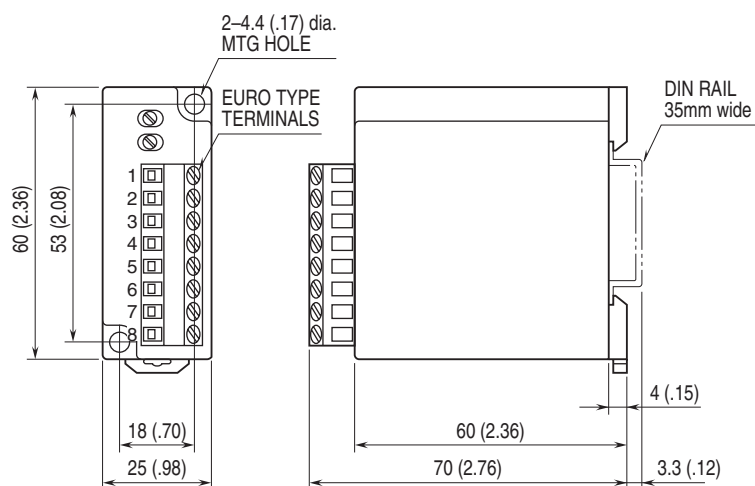
PERFORMANCE in percentage of span

Accuracy: $\pm 0.2 \%$

Temp. coefficient: $\pm 0.015 \%/^{\circ}\text{C}$ ($\pm 0.008 \%/^{\circ}\text{F}$)

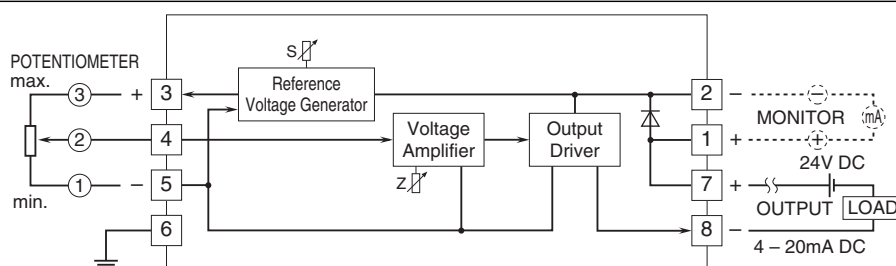
Response time: $\leq 0.5 \text{ sec.}$ (0 – 90 %)

EXTERNAL DIMENSIONS & TERMINAL ASSIGNMENTS unit: mm (inch)



•When mounting, no extra space is needed between units.

SCHEMATIC CIRCUITRY & CONNECTION DIAGRAM



Specifications are subject to change without notice.