

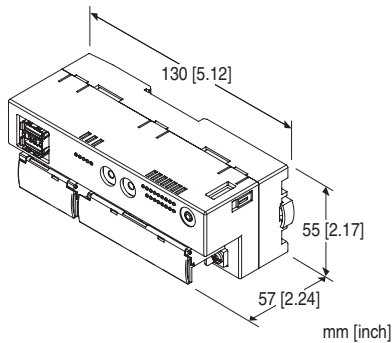
Remote I/O R7G4H Series

MECHATROLINK I/O MODULE

(high-speed DC voltage input, 8 points, non-isolated, screw terminal block, MECHATROLINK-I/- II use)

Functions & Features

- 8 points high-speed DC voltage input for MECHATROLINK-I/- II
- Easy parameter setting of individual channels with M-System's configurator software



MODEL: R7G4HML-6-SVF8N-R[1]

ORDERING INFORMATION

- Code number: R7G4HML-6-SVF8N-R[1]
Specify a code from below for [1].
(e.g. R7G4HML-6-SVF8N-R/Q)
- Specify the specification for option code /Q
(e.g. /C01)

TERMINAL BLOCK

- 6: Screw terminal block for power supply
Connector for MECHATROLINK-I/-II
Screw terminal block for I/O

I/O TYPE

SVF8N: DC voltage input, high-speed, 8 points (non-isolated)

POWER INPUT

DC Power

R: 24 V DC

(Operational voltage range 24 V \pm 10 %, ripple 10 %p-p max.)

[1] OPTIONS

blank: none

/Q: With options (specify the specification)

SPECIFICATIONS OF OPTION: Q

COATING (For the detail, refer to M-System's web site.)

/C01: Silicone coating

/C02: Polyurethane coating

/C03: Rubber coating

RELATED PRODUCTS

- PC configurator software (model: R7CFG)

Downloadable at M-System's web site.

A dedicated cable is required to connect the module to the PC. Please refer to the internet software download site or the users manual for the PC configurator for applicable cable types.

GENERAL SPECIFICATIONS

Connection

MECHATROLINK: MECHATROLINK-I/-II connector

Power input, input: M3 separable screw terminal (torque 0.5 N·m)

Solderless terminal: Refer to the drawing at the end of the section.

Recommended manufacturer: Japan Solderless Terminal MFG.Co.Ltd, Nichifu Co.,Ltd

Applicable wire size: 0.25 to 1.65 mm² (AWG 22 to 16)

Screw terminal: Nickel-plated steel

Housing material: Flame-resistant resin (gray)

Isolation: Input to MECHATROLINK or FE to power

Zero adjustments: Configurable via R7CFG

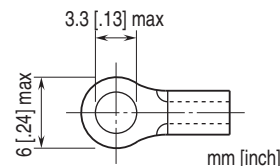
Span adjustments: Configurable via R7CFG

Input range: Selectable with the DIP SW on the top of the unit or configurable via R7CFG

Number of times of averaging: Configurable via R7CFG

Status indicator LEDs: PWR, RUN, ERR, SD, RD (Refer to the instruction manual)

■ Recommended solderless terminal



MECHATROLINK COMMUNICATION

MECHATROLINK mode: Set with DIP switches

(MECHATROLINK-I or -II, data length; Factory setting:

MECHATROLINK-II; data length (17 bytes)

(Refer to the instruction manual)

MODEL: R7G4HML-6-SVF8N

Station address: 60H - 7FH

(Function selected with Rotary SW. Factory setting: 61H).
(Refer to the instruction manual)

■ MECHATROLINK-I

Baud rate: 4 Mbps

Transmission distance: 50 m max.

Distance between stations: 30 cm min.

Transmission media: MECHATROLINK cable (Model JEPMC-W6003-x-E, Yaskawa Controls Co., Ltd.)

Max. number of slaves: 15

(The maximum number of slaves might change depending on the master unit. Refer to the manual of the master unit)

Transmission cycle: 2 msec. (fixed)

Data length: 17 bytes

■ MECHATROLINK-II

Baud rate: 10 Mbps

Transmission distance: 50 m max.

Distance between stations: 50 cm min.

Transmission media: MECHATROLINK cable (Model JEPMC-W6003-x-E, Yaskawa Controls Co., Ltd.)

Max. number of slaves: 30

(The maximum number of slaves might change depending on the master unit. Refer to the manual of the master unit)

Transmission cycle: 0.5 msec., 1 msec., 1.5 msec., 2 msec., 4 msec., 8 msec.

Data length: 17 bytes / 32 bytes selectable (Must choose identical data size for all stations on one network)

INPUT SPECIFICATIONS

Input resistance: $\geq 1 \text{ M}\Omega$

Input range: -10 - +10 V DC, -5 - +5 V DC, 0 - 10 V DC, 0 - 5 V DC, 1 - 5 V DC

INSTALLATION

Current consumption

•DC: Approx 40 mA

Operating temperature: 0 to 55°C (32 to 131°F)

Storage temperature: -20 to +65°C (-4 to +149°F)

Operating humidity: 30 to 90 %RH (non-condensing)

Atmosphere: No corrosive gas or heavy dust

Mounting: Surface or DIN rail (35 mm rail)

Weight: 220 g (0.49 lb)

PERFORMANCE

Conversion accuracy: $\pm 0.1 \%$

Conversion rate: 2.5 msec. / 8 CH

Data range: 0 - 10000 of the input range

(Set the scaling value within the range of 0 - 255 when the module is used in MECHATROLINK-I or MECHATROLINK-II in

the 17-byte mode)

Temp. coefficient: $\pm 0.015 \%/^{\circ}\text{C}$ ($\pm 0.008 \%/^{\circ}\text{F}$)

Input delay time: $\leq 20 \text{ msec.}$ (0 - 90 %)

Insulation resistance: $\geq 100 \text{ M}\Omega$ with 500 V DC

Dielectric strength: 1500 V AC @ 1 minute (input to MECHATROLINK or FE to power)

STANDARDS & APPROVALS

EU conformity:

EMC Directive

EMI EN 61000-6-4

EMS EN 61000-6-2

RoHS Directive

PC CONFIGURATOR

The following parameters can be set with using PC Configurator Software (model: R7CFG)

Refer to the users manual for the R7CFG for detailed operation of the software program.

■ SETTINGS FOR INDIVIDUAL CHANNELS

PARAMETER	SETTING RANGE	DEFAULT SETTING
Validating/ Invalidating	Valid Invalid	Valid
Input range	-10 - +10 V DC -5 - +5 V DC 0 - 10 V DC 0 - 5 V DC 1 - 5 V DC	-10 - +10 V DC
Bias	-320.00 - +320.00 (%)	0.00 (%)
Gain	-3.2000 - +3.2000	1.0000
Zero scale	-32 000 - +32 000 *	0
Full scale	-32 000 - +32 000 *	255

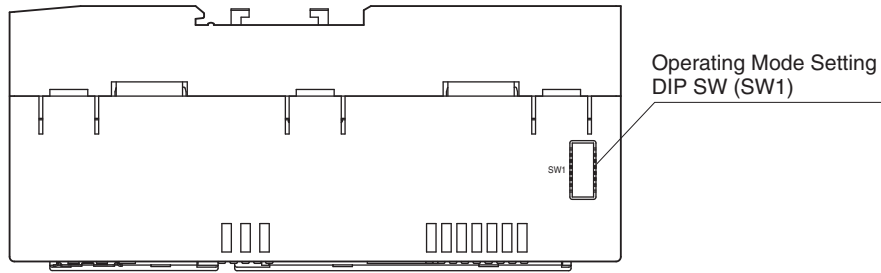
* Set within the range of 0 - 255 for use in MECHATROLINK-I or MECHATROLINK-II in the 17-byte mode.

■ SETTINGS FOR ALL CHANNELS

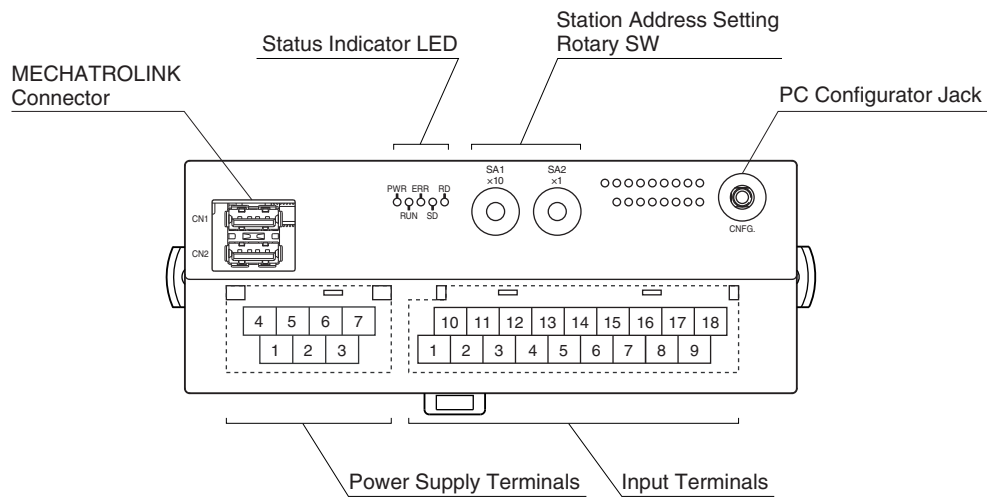
PARAMETER	SETTING RANGE	DEFAULT SETTING
Averaging	1, 2, 4, 8, 16, 32, 64, 128	1

EXTERNAL VIEW

■ TOP VIEW



■ FRONT VIEW



TERMINAL ASSIGNMENTS

INPUT TERMINAL ASSIGNMENT

10	11	12	13	14	15	16	17	18
V0	V1	V2	V3	NC	V4	V5	V6	V7
1	2	3	4	5	6	7	8	9
COM0	COM1	COM2	COM3	NC	COM4	COM5	COM6	COM7

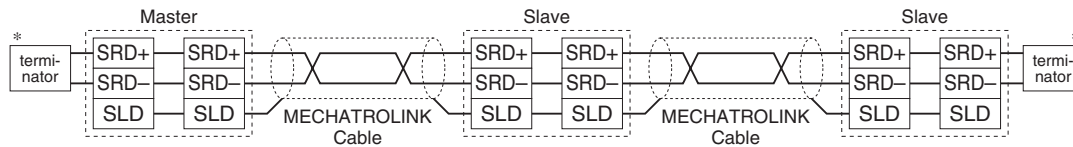
NO.	ID	FUNCTION	NO.	ID	FUNCTION
1	COM0	Common 0	10	V0	Voltage Input 0
2	COM1	Common 1	11	V1	Voltage Input 1
3	COM2	Common 2	12	V2	Voltage Input 2
4	COM3	Common 3	13	V3	Voltage Input 3
5	NC	No connection	14	NC	No connection
6	COM4	Common 4	15	V4	Voltage Input 4
7	COM5	Common 5	16	V5	Voltage Input 5
8	COM6	Common 6	17	V6	Voltage Input 6
9	COM7	Common 7	18	V7	Voltage Input 7

POWER SUPPLY TERMINAL ASSIGNMENT

4	5	6	7
NC	NC	+24V	0V
1	2	3	
NC	NC	FE	

- 1. NC -
- 2. NC -
- 3. FE Functional earth
- 4. NC -
- 5. NC -
- 6. +24V Power supply (24V DC)
- 7. 0V Power supply (0V)

MECHATROLINK CONNECTION



***Terminator**

Be sure to connect the terminating resistors to the unit at both ends of transmission line.
 Use the terminating resistor dedicated for MECHATROLINK: Model JEPMC-W6022, Yaskawa Controls Co., Ltd.
 Certain types of Master units may have incorporated terminating resistors. Consult the instruction manual of the Master unit.

DATA CONVERSION

■ INPUT RANGE AND DATA CONVERSION (FACTORY DEFAULT SETTING)

Analog input data is converted into digital representations of 0 – 100% proportional to each scaled range.

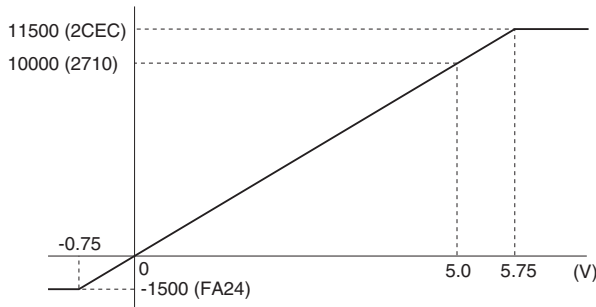
The converted % values are multiplied by 100 and expressed in 16 bits.

Overrange input is possible from -15 to +115% of the nominal range.

When the signal exceeds the limit, the data is fixed at -15% or +115%.

• Input Range 0 – 5V DC

Input Value	Input %	Converted Data, Decimal	Converted Data, Hex
≤ -0.75V	-15%	-1500	FA24
0V	0%	0	0
5V	100%	10000	2710
≥ 5.75V	115%	11500	2CEC



RESPONSE TIME

Response time of analog input module is time from when 0 to 100% stepwise signal change is applied to the analog module till when the communication ASIC of the module (slave) transmits 90 % of input signal.

T_{COM} : MECHATROLINK-II transmission cycle set at master

(depends on system and configuration)

T_i : Delay of input module ≤ Delay of input circuit (T_a) + Conversion time^{*1} (T_b) + Input internal processing delay time (T_c) (one transmission cycle)

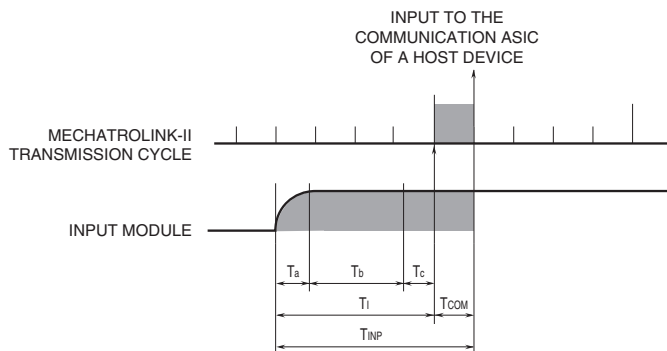
T_{INP} : Response time of input module ≤ T_i + T_{COM}

*1. Conversion time x Averaging

E.g.: Averaging: 1, MECHATROLINK-II transmission cycle of 0.5 msec.

Delay of input module (T_i): Delay of input circuit (20 msec.) + Conversion time (2.5 msec.) x Averaging (1) + Input internal processing delay time (0.5 msec.) = 23 [msec.]

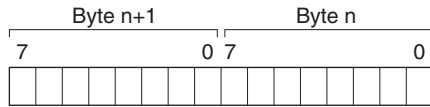
Response time of input module (T_{INP}): T_i (23 msec.) + T_{COM} (0.5 msec.) = 23.5 [msec.]



I/O DATA DESCRIPTIONS

Scaling of analog input module is configurable with the configurator software (model: R7CFG). Refer to the software manual for details.

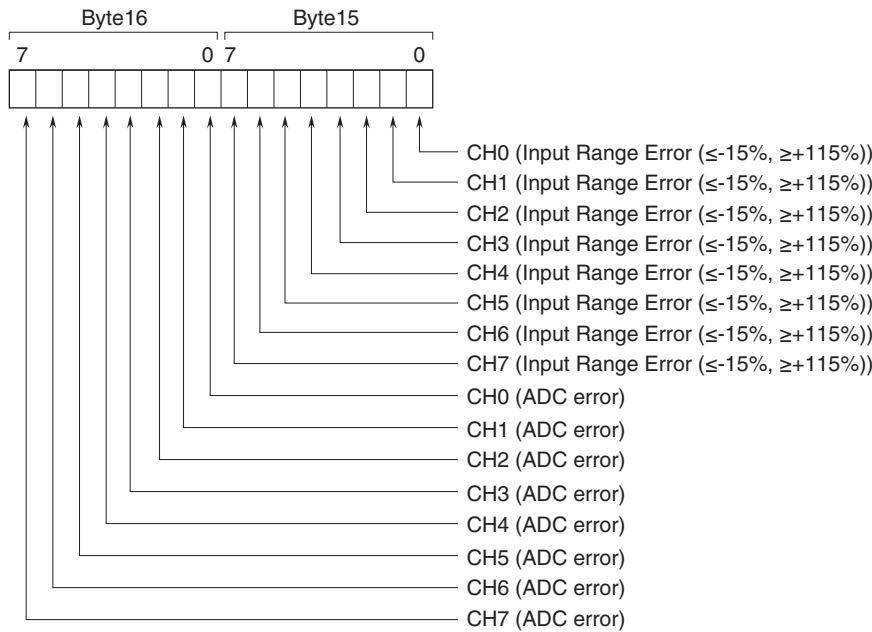
ANALOG INPUT



Data is represented in 16-bit binary. Negative value is represented in 2's complements.

Note: 8-bit unsigned binary data for use in MECHATROLINK-I or MECHATROLINK-II in the 17-byte mode.

STATUS

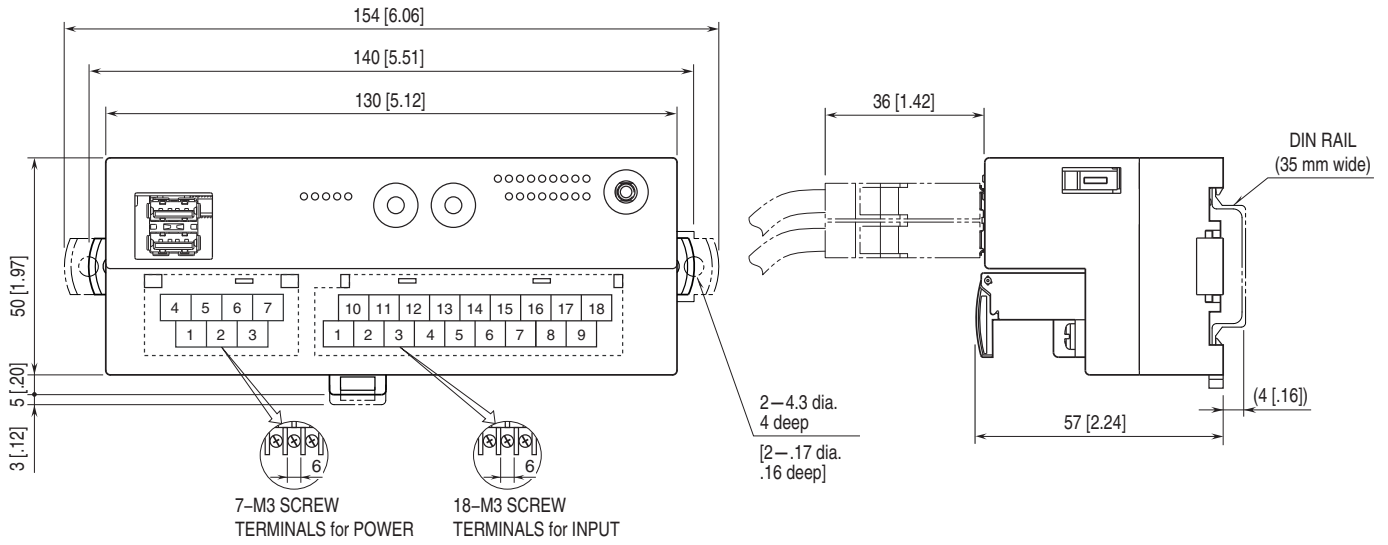


Input Range Error
 0: Normal, 1: Error
 ADC error (no response from ADC)
 0: Normal, 1: Error

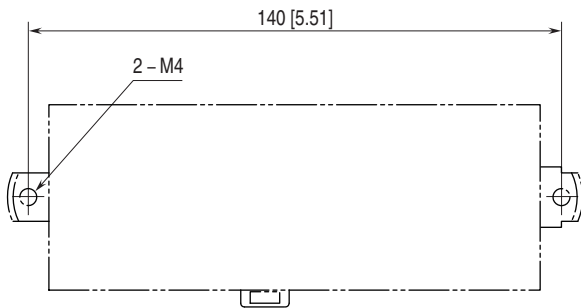
Note: For use in MECHATROLINK-I or MECHATROLINK-II in the 17-byte mode, Input Range Error is set when 0 or 255 is input.

MODEL: R7G4HML-6-SVF8N

EXTERNAL DIMENSIONS & TERMINAL ASSIGNMENTS unit: mm [inch]



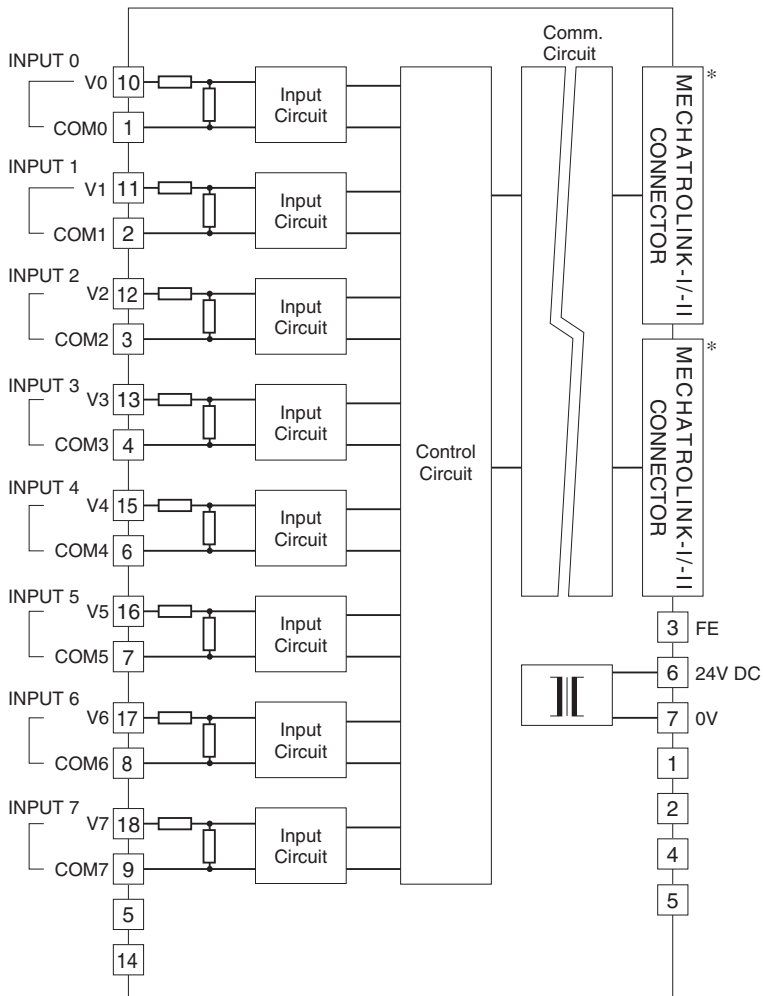
MOUNTING REQUIREMENTS unit: mm [inch]



SCHEMATIC CIRCUITRY & CONNECTION DIAGRAM

Note: In order to improve EMC performance, bond the FE terminal to ground.

Caution: FE terminal is NOT a protective conductor terminal.



* MECHATROLINK connectors are internally connected.
The network cable can be connected to either one.



Specifications are subject to change without notice.