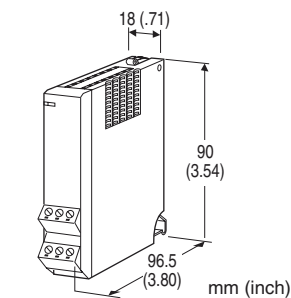


Remote I/O R6 Series

POWER SUPPLY MODULE

Functions & Features

- Provides internal power needed for I/O and network modules from power input
- Universal AC power input



MODEL: R6-PSM

ORDERING INFORMATION

- Code number: R6-PSM[1]
- Specify a code from below for [1].
(e.g. R6-PSM/Q)
- Specify the specification for option code /Q
(e.g. /C01)

POWER INPUT

AC Power

100 - 240 V AC (Operational voltage range 90 - 264 V, 47 - 66 Hz)

[1] OPTIONS

blank: none

/Q: With options (specify the specification)

SPECIFICATIONS OF OPTION: Q

COATING (For the detail, refer to M-System's web site.)

/C01: Silicone coating

/C02: Polyurethane coating

RELATED PRODUCTS

- Euro terminal remote I/O R6D series
- Screw terminal remote I/O R6N series
- Tension-clamp remote I/O R6S series

GENERAL SPECIFICATIONS

Connection

Internal bus: Via the Installation Base (model: R6x-BS8B)

RUN contact output, power supply: Euro type connector terminal

(Applicable wire size: 0.2 to 2.5 mm², stripped length 7 mm)

Internal power supply: Via the Installation Base (model: R6x-BS8B)

Housing material: Flame-resistant resin (black)

Isolation: RUN contact output to internal bus or internal power to power supply to FG

Power indicator: Bi-color (green/amber) LED; Green turns ON when the power is supplied. Amber turns ON in normal communication.

■ RUN CONTACT OUTPUT

RUN contact: ON in normal communication with the host PLC; OFF in communication error.

Rated load: 250 V AC @ 0.5 A (cos ϕ = 1)

30 V DC @ 0.5 A (resistive load)

Maximum switching voltage: 250 V AC or 30 V DC

Maximum switching power: 250 VA or 150 W

Minimum load: 5 V DC @ 10 mA

Mechanical life: 2×10^7 cycles (rate 300 cycles/min.) When driving an inductive load, external contact protection and noise quenching recommended.

INSTALLATION

Power input

•AC:

Approx. 25 VA at 100 V

Approx. 30 VA at 200 V

Approx. 35 VA at 264 V

Operating temperature: -10 to +55°C (14 to 131°F)

Operating humidity: 30 to 90 %RH (non-condensing)

Mounting: Installation Base (model: R6x-BS8B)

Weight: 120 g (0.26 lb)

PERFORMANCE

Output (internal power):

24 V \pm 1 V DC, 400 mA (continuance)

Arrange in order that the total current consumed by the I/O modules or Network modules is within this capacity.

Insulation resistance: ≥ 100 M Ω with 500 V DC

Dielectric strength: 2000 V AC @ 1 minute (RUN contact output to internal bus or internal power to power input to FG)

STANDARDS & APPROVALS

EU conformity:

EMC Directive

EMI EN 61000-6-4

EMS EN 61000-6-2

Low Voltage Directive

EN 61010-1, EN 61010-2-201

Measurement Category II (RUN contact output)

Installation Category II (power input)

Pollution Degree 2

Internal power or RUN contact output to power input to FG:

Reinforced insulation (300 V)

Internal power to RUN contact output: Basic insulation
(300 V)

RoHS Directive

CURRENT CONSUMPTION

The network module and I/O modules operate with 24V DC power supply via the power supply module. The total current consumption of the network module and I/O modules is required to be not more than the continuance output current (400mA) of the power supply module. If the total current consumption exceeds the capacity of the power supply module, change the combination of I/O modules or reduce the number of I/O modules.

R6xSV2 20mA

R6xSS2 20mA

R6xTS2 20mA

R6xTS2A 20mA

R6xRS2 20mA

R6xDS1 55mA

R6xYV2 25mA

R6xYS2 45mA

R6xDA4 10mA

R6xDC4A 20mA

R6xDC4B 20mA

R6NC1 110mA

R6NC3 110mA

R6ND1 40mA

R6NE1 75mA

R6NE2 75mA

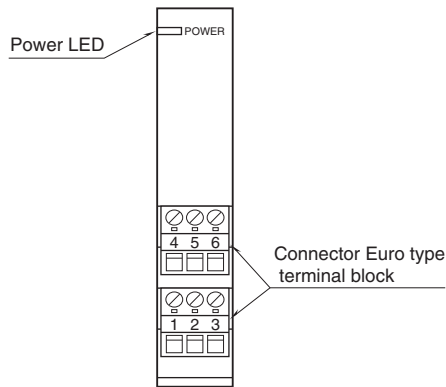
R6NM1 50mA

R6NM2 50mA

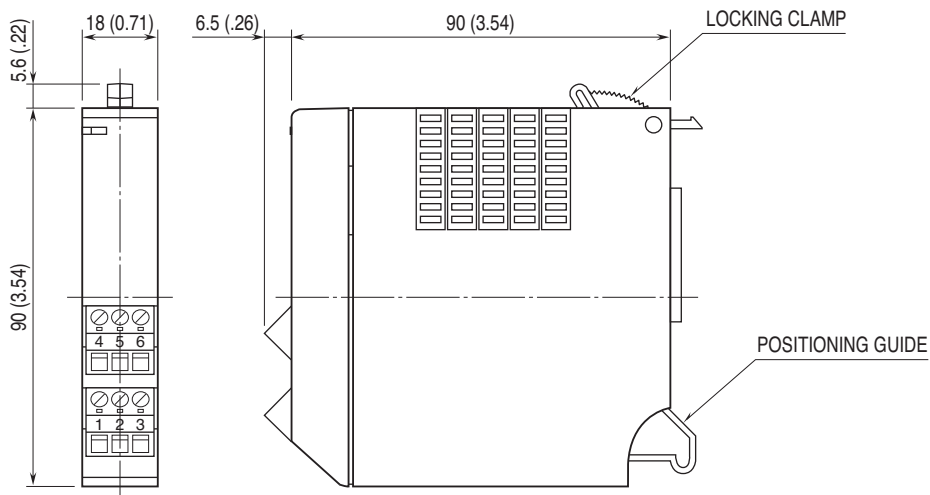
R6NF1 100mA

R6NP1 100mA

EXTERNAL VIEW



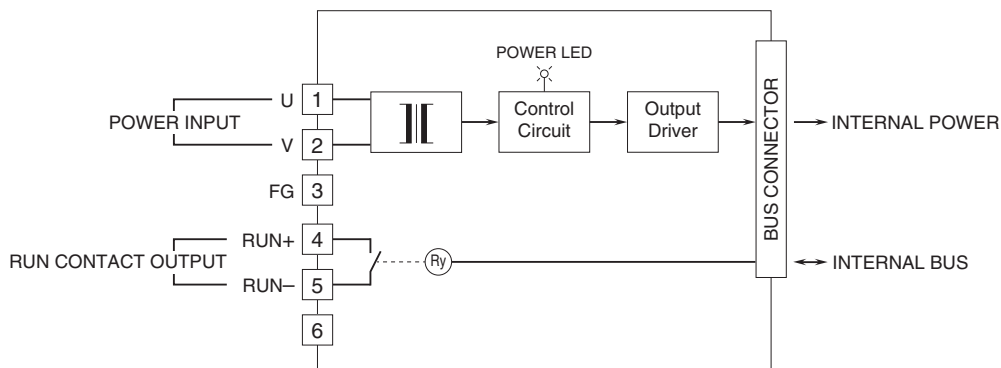
EXTERNAL DIMENSIONS & TERMINAL ASSIGNMENTS unit: mm [inch]



SCHEMATIC CIRCUITRY & CONNECTION DIAGRAM

Note: In order to improve EMC performance, bond the FG terminal to ground.

Caution: FG terminal is NOT a protective conductor terminal.



Specifications are subject to change without notice.