

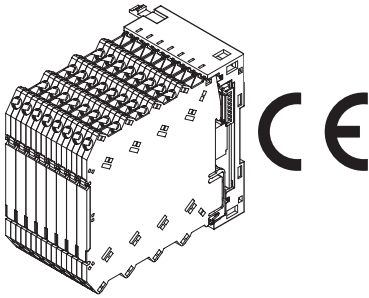
## Remote I/O R6 Series

### INSTALLATION BASE

(Screw terminal)

#### Functions & Features

- Installation base dedicated to Remote I/O R6 Series



### MODEL: R6N-BS[1][2]

#### ORDERING INFORMATION

- Code number: R6N-BS[1][2]

Specify a code from below for each of [1] and [2].

- (e.g. R6N-BS8A/Q)
- Specify the specification for option code /Q (e.g. /C01)

#### [1] NUMBER OF SLOTS

**8A:** 8 I/O slots + Network Module (18 mm wide)

**8B:** 8 I/O slots + Network Module (36.5 mm wide)

(Selectable only for using with R6-NF1, R6-NC3/W or R6-PSM)

**8P:** 8 I/O slots for extension

#### [2] OPTIONS

**blank:** none

**/Q:** With options (specify the specification)

#### SPECIFICATIONS OF OPTION: Q

**COATING (For the detail, refer to M-System's web site.)**

Only solder side of the PWB is coated.

**/C01:** Silicone coating

**/C02:** Polyurethane coating

#### GENERAL SPECIFICATIONS

**Construction:** DIN rail or surface mounting

**Capacity:**

- R6N-BS8A: I/O / power supply module, 8 slots + network (18 mm wide) module
- R6N-BS8B: I/O / power supply module, 8 slots + network (36.5 mm wide) module

- R6N-BS8P: I/O / power supply module, 8 slots

**Housing material:** Flame-resistant resin (black)

#### INSTALLATION

**Operating temperature:** -10 to +55°C (14 to 131°F)

**Operating humidity:** 30 to 90 %RH (non-condensing)

**Atmosphere:** No corrosive gas or heavy dust

**Construction:** DIN rail or surface mounting

**Weight (No remote I/O module mounted)**

R6N-BS8A: 80 g (2.8 oz)

R6N-BS8B: 95 g (3.4 oz)

R6N-BS8P: 50 g (1.8 oz)

#### PERFORMANCE

**Insulation resistance:**  $\geq 100 \text{ M}\Omega$  with 500 V DC

**Dielectric strength:** 2000 V AC @ 1 minute

(internal power or internal field signal to ground)

#### STANDARDS & APPROVALS

**EU conformity:**

EMC Directive

EMI EN 61000-6-4

EMS EN 61000-6-2

RoHS Directive

**EXTERNAL VIEW**

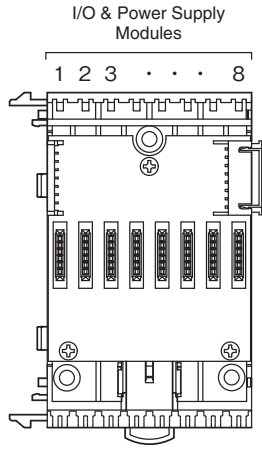
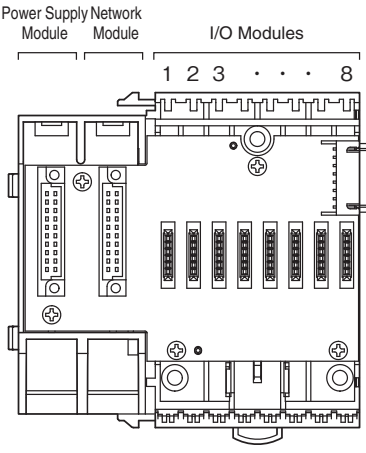
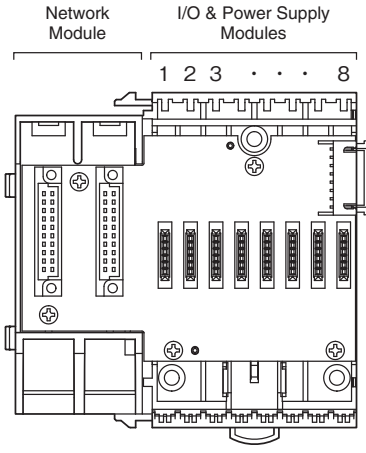
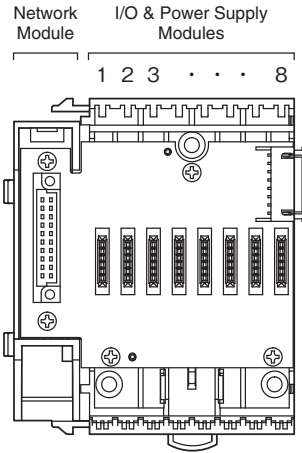
Mount I/O and power supply modules, starting from the left end.  
The power supply module could be mounted at any slots, however, installing them at either end is generally recommended.

■ R6N-BS8A

■ R6N-BS8B  
• R6-NF1

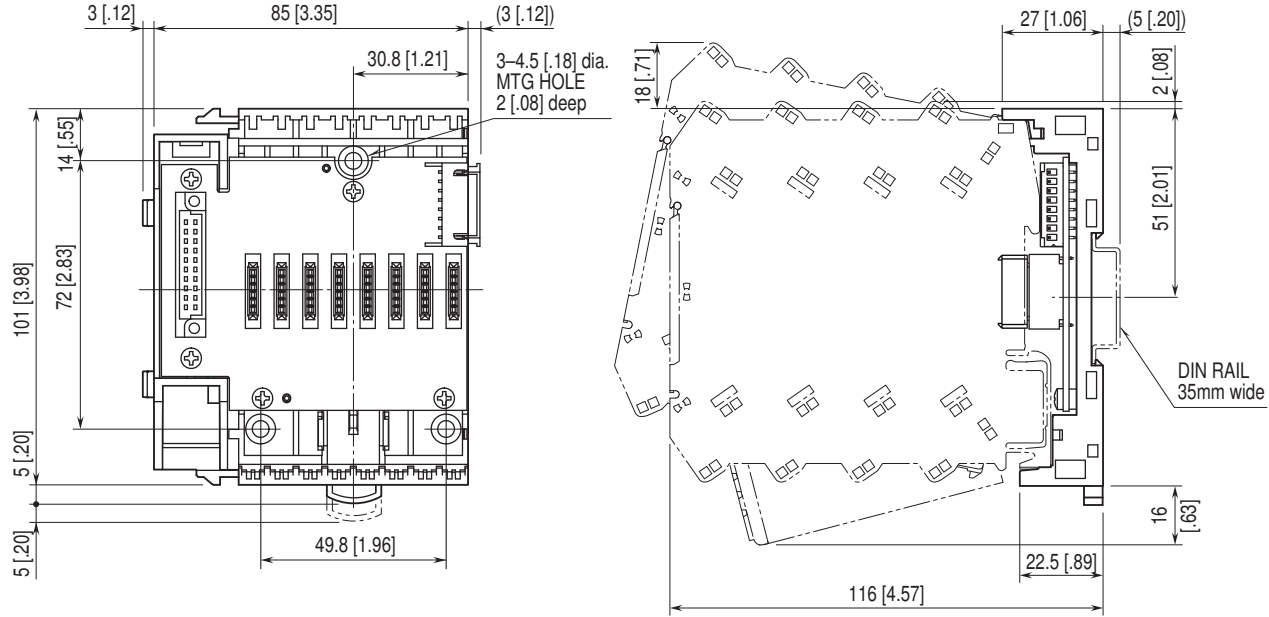
• R6-PSM

■ R6N-BS8P

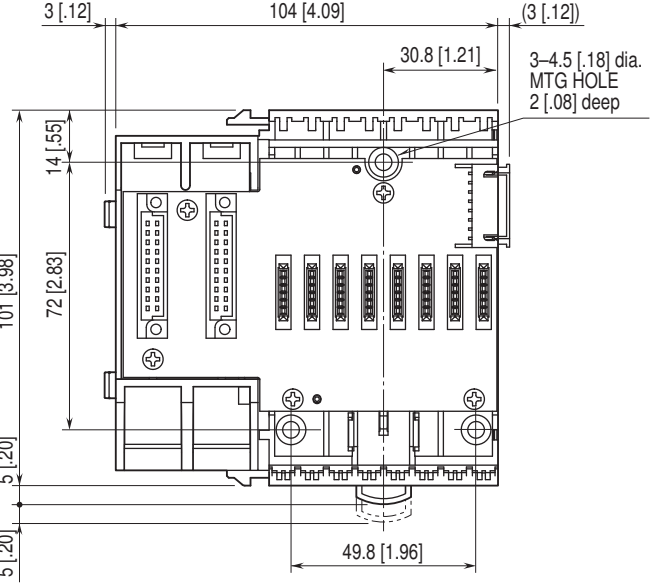


**EXTERNAL DIMENSIONS unit: mm [inch]**

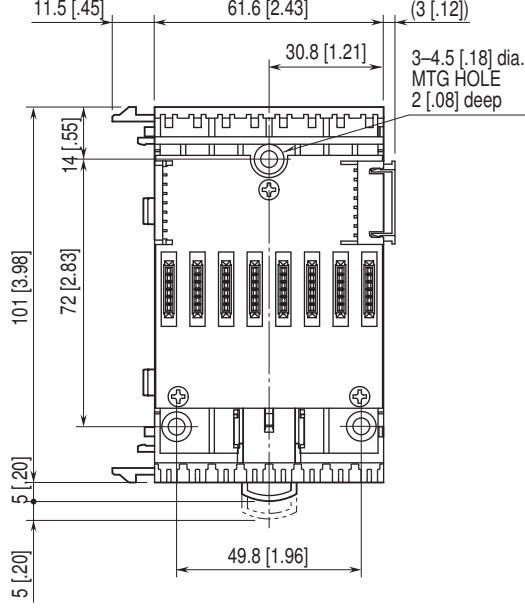
• R6N-BS8A



• R6N-BS8B



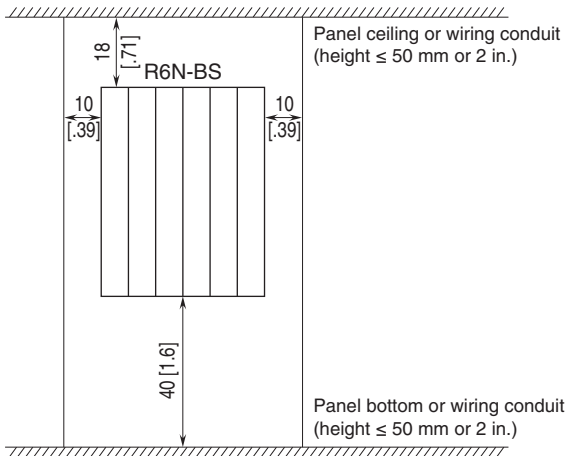
• R6N-BS8P



## MOUNTING REQUIREMENTS unit: mm [inch]

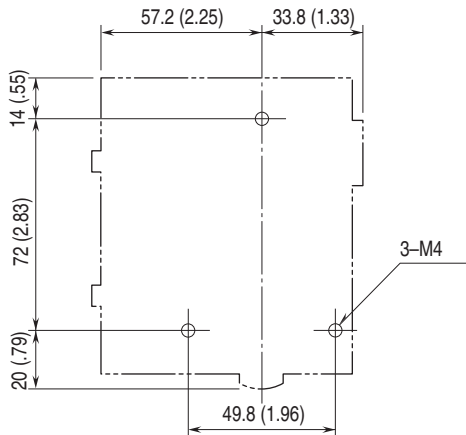
### ■ MOUNTING DIRECTION

The unit must be mounted on a vertical panel. Mounting in any other angle will cause internal temperature to rise, may shorten the product's life expectation or deteriorate its performance.

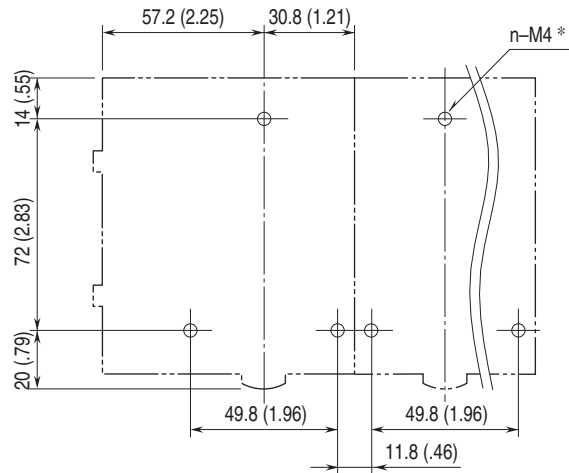


### ■ SURFACE MOUNTING

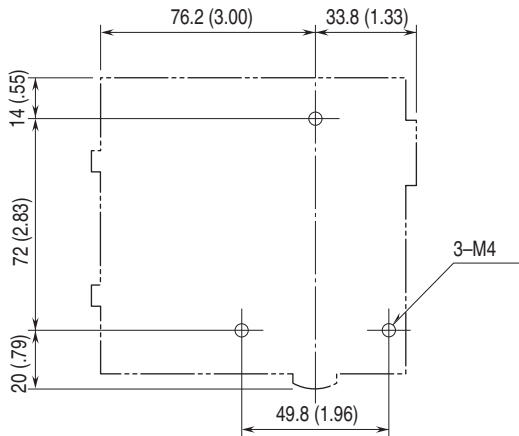
• R6N-BS8A



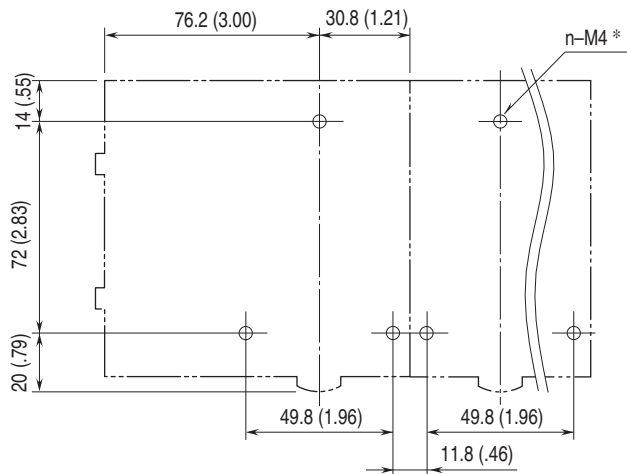
• R6N-BS8A+BS8P



• R6N-BS8B



• R6N-BS8B+BS8P



\*Number of bases x 3



Specifications are subject to change without notice.