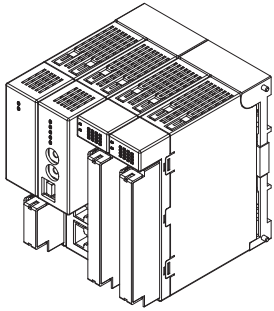


## Remote I/O R30 Series

### INSTALLATION BASE

#### Functions & Features

· Installation base dedicated to Remote I/O R30 Series, Paperless Recorder TR30 Series and Field Logger DL30 Series



### MODEL: R30BS[1][2]

#### ORDERING INFORMATION

• Code number: R30BS[1][2]

Specify a code from below for each of [1] and [2].

(e.g. R30BS16/Q)

• Specify the specification for option code /Q

(e.g. /C01)

#### [1] NUMBER OF SLOTS

00: 0 slot

02: 2 slots

04: 4 slots

06: 6 slots

08: 8 slots

12: 12 slots

16: 16 slots

#### [2] OPTIONS

blank: none

/Q: With options (specify the specification)

#### SPECIFICATIONS OF OPTION: Q

**COATING (For the detail, refer to M-System's web site.)**

Only solder side of the main PWB is coated.

/C01: Silicone coating

/C02: Polyurethane coating

/C03: Rubber coating

#### GENERAL SPECIFICATIONS

##### Capacity:

R30BS00: I/O module, 0 slot (Model: TR30, DL30 single use)

R30BS02: I/O module, 2 slots

R30BS04: I/O module, 4 slots

R30BS06: I/O module, 6 slots

R30BS08: I/O module, 8 slots

R30BS12: I/O module, 12 slots

R30BS16: I/O module, 16 slots

#### INSTALLATION

**Operating temperature:** -10 to +55°C (14 to 131°F)

**Storage temperature:** -20 to +65°C (-4 to +149°F)

**Operating humidity:** 10 to 90 %RH (non-condensing)

**Atmosphere:** No corrosive gas or heavy dust

**Mounting:** Surface or DIN rail

**Weight (Without modules mounted)**

R30BS00: approx. 50 g (1.76 oz)

R30BS02: approx. 100 g (0.22 lb)

R30BS04: approx. 160 g (0.35 lb)

R30BS06: approx. 210 g (0.46 lb)

R30BS08: approx. 260 g (0.57 lb)

R30BS12: approx. 360 g (0.79 lb)

R30BS16: approx. 470 g (1.04 lb)

#### PERFORMANCE

**Dielectric strength:** 1500 V AC @ 1 minute (Internal power or internal bus to FE; isolated on the power supply module)

#### STANDARDS & APPROVALS

**EU conformity:**

EMC Directive

EMI EN 61000-6-4

EMS EN 61000-6-2

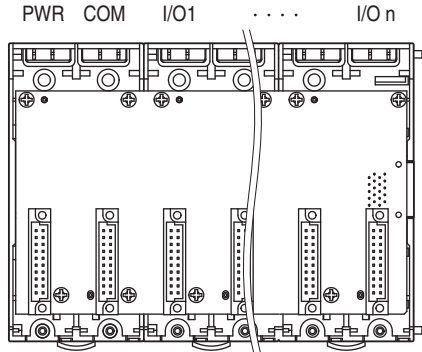
RoHS Directive

EN 50581

## EXTERNAL VIEW

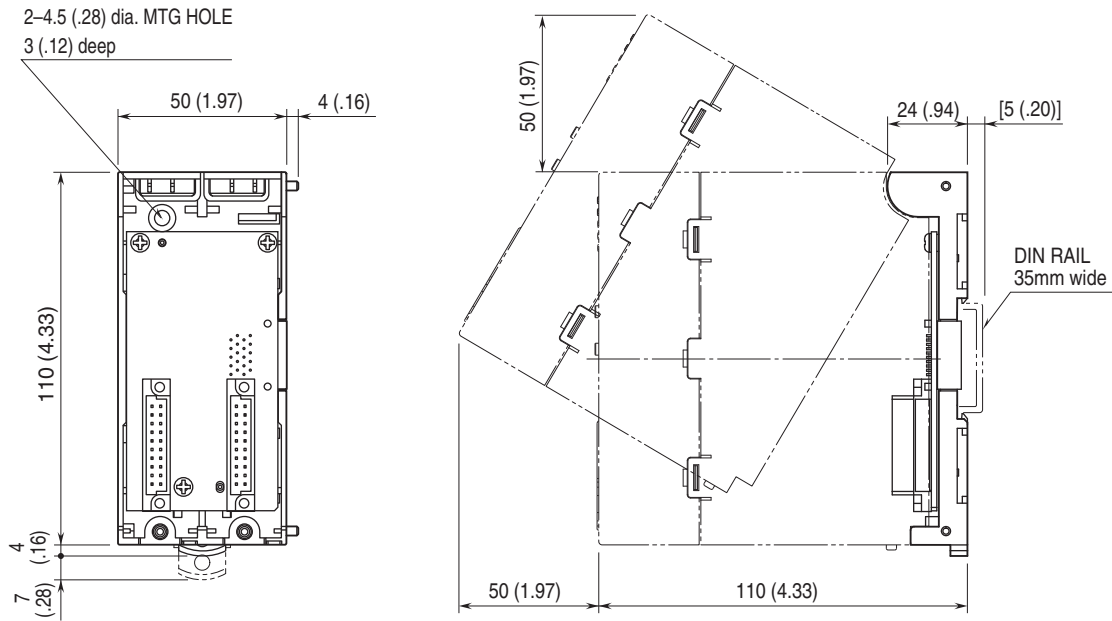
Mount the power supply module and network module on the dedicated slots (PWR and COM), and do not mount on I/O slots. PWR slot is on the left end and COM slot is on the immediate right of PWR slot. The I/O slots are numbered in the ascending order starting from the one on the immediate right of the network module (slot 1, slot 2...).

For model: TR30 or DL30, mount it on the PWR and COM slot.

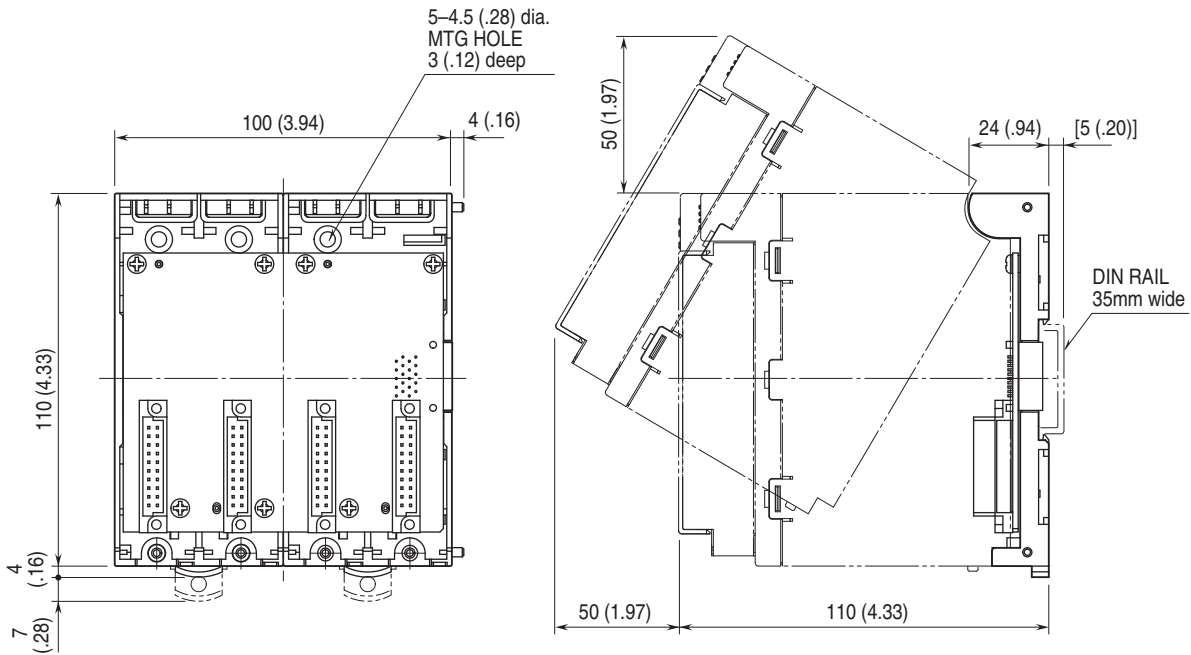


## EXTERNAL DIMENSIONS unit: mm (inch)

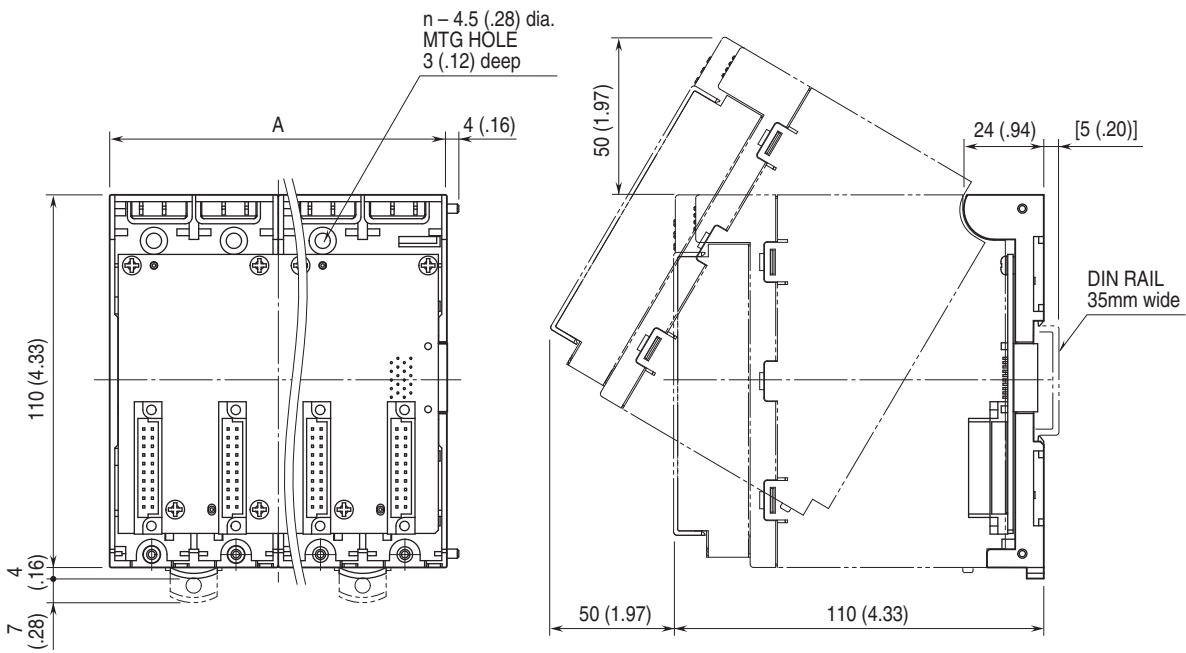
### ■R30BS00



## ■R30BS02



## ■R30BS04, BS06, BS08, BS12, BS16

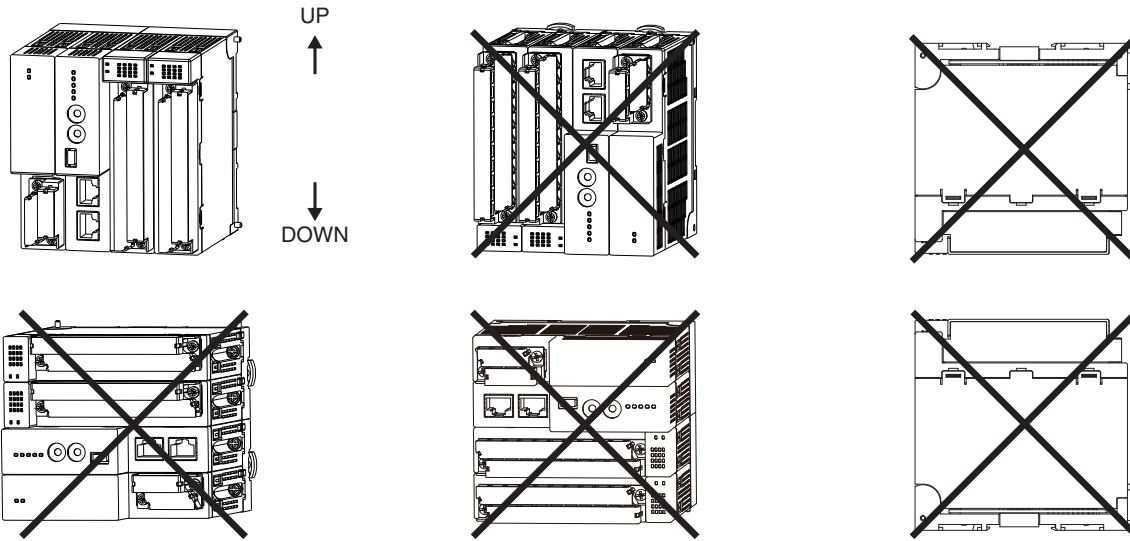


MODEL	A (SIZE)	n (NUMBER OF SCREWS)
R30BS04	150 (5.91)	8
R30BS06	200 (7.87)	11
R30BS08	250 (9.84)	14
R30BS12	350 (13.78)	20
R30BS16	450 (17.72)	26

**MOUNTING REQUIREMENTS unit: mm (inch)**

■ MOUNTING DIRECTION

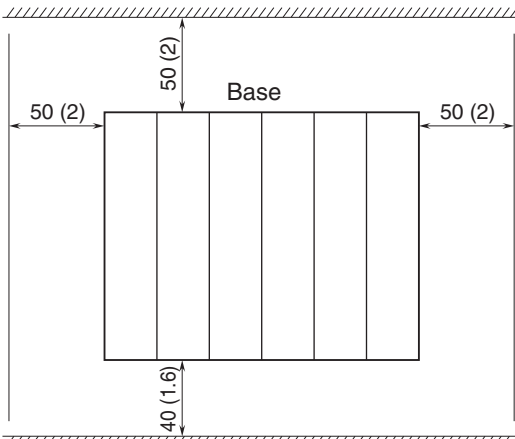
Mount the unit vertically as is shown in the figure below. Mounting in other directions may cause heat build-up inside the unit and lead to shorten its life span or degrade its performance.



■ MOUNTING ON CONTROL PANEL

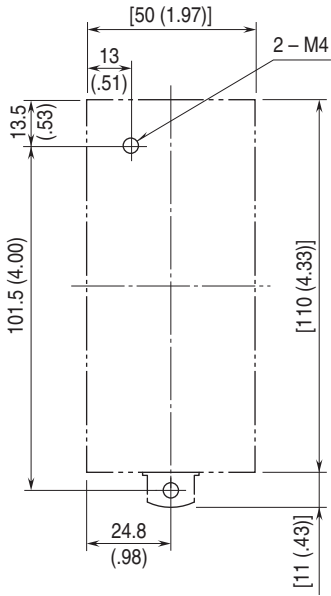
Secure sufficient ventilation space. Do not mount the unit right above devices which radiate great heat such as heaters, transformers or resistors. Maintenance space is also required above and below the unit.

Panel ceiling or wiring conduit (height ≤ 50 mm or 2 in.)

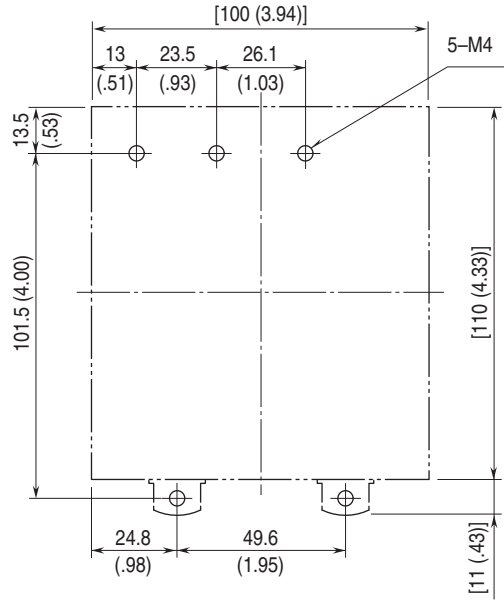


Panel bottom or wiring conduit (height ≤ 50 mm or 2 in.)

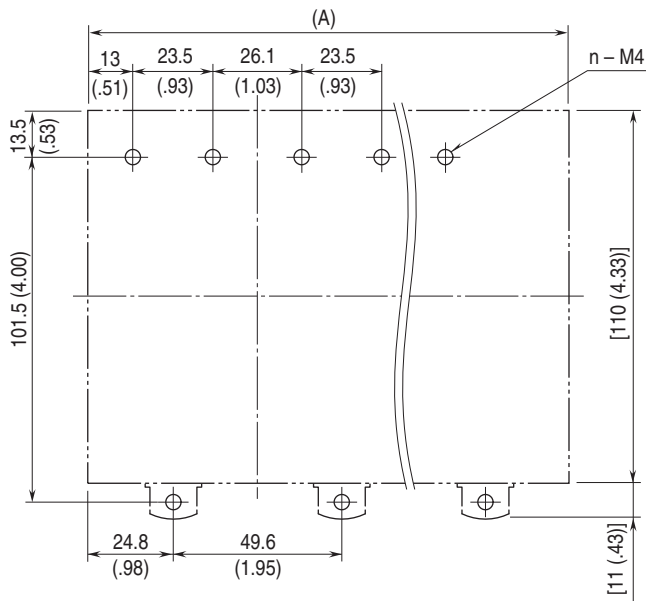
## ■ R30BS00



## ■ R30BS02



## ■ R30BS04, BS06, BS08, BS12, BS16



Specifications are subject to change without notice.