

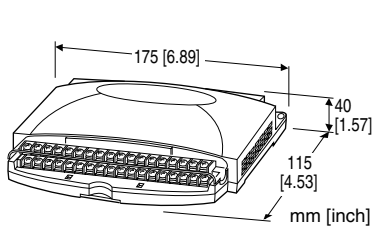
PC Recorders R1M Series

PC RECORDER

(thermocouple or DC input, 16 points)

Functions & Features

- Industrial recorder on PC
- 16-point thermocouple or DC inputs
- Easy system expansion via Modbus RTU
- Recorded data exportable to spreadsheet applications



MODEL: R1M-GH2T-[1][2]

ORDERING INFORMATION

- Code number: R1M-GH2T-[1][2]
- Specify a code from below for each of [1] and [2].
(e.g. R1M-GH2T-M2/MSR/Q)
- Specify the specification for option code /Q
(e.g. /C01)

FIELD TERMINAL TYPE

T: M3 screw terminals

[1] POWER INPUT

AC Power

M2: 100 - 240 V AC (Operational voltage range 85 - 264 V, 47 - 66 Hz)

DC Power

R: 24 V DC
(Operational voltage range 24 V \pm 10 %, ripple 10 %p-p max.)

[2] OPTIONS (multiple selections)

PC Recorder Software Package (must be specified)

/MSR: With

Other Options

blank: none

/Q: Option other than the above (specify the specification)

SPECIFICATIONS OF OPTION: Q

COATING (For the detail, refer to M-System's web site.)

- /C01: Silicone coating
- /C02: Polyurethane coating
- /C03: Rubber coating

RELATED PRODUCTS

- Resistor module (model: REM3-250)

PACKAGE INCLUDES...

- PC Recorder Software CD
- 9-pin D-sub connector, straight type (1 m or 3.3 ft)

GENERAL SPECIFICATIONS

Connection

Power input, transmission: Euro type connector terminal
(Applicable wire size: 0.2 - 2.5 mm² (AWG24 - 12), stripped length 7 mm)

RS-232-C: 9-pin D-sub connector (male)

(Lock screw No. 4-40 UNC)

Input: M3 screw terminals (torque: 0.6N·m)

Screw terminal: Nickel-plated steel

Housing material: Flame-resistant resin (gray)

Isolation: Input to RS-232-C or RS-485 to power

Node address setting: Rotary switch; 1 - F (15 nodes)

RUN indicator LED: Green light blinks in normal conditions.

COMMUNICATION

Baud rate: 38.4 kbps

Communication: Half-duplex, asynchronous, no procedure

Protocol: Modbus RTU

■ RS-232-C

Standard: Conforms to RS-232-C, EIA

Transmission distance: 10 meters max.

■ RS-485

Standard: Conforms to TIA/EIA-485-A

Transmission distance: 500 meters max.

Transmission media: Shielded twisted-pair cable (CPEV-S 0.9 dia.)

INPUT SPECIFICATIONS

Input: Thermocouple or DC input, 16 points
(Common negative for DC input)

Measuring Range:

±20 V, ±5 V, ±1 V, ±0.8 V, ±0.2 V, ±50 mV, ±10 mV

Input resistance: 300 kΩ

Thermocouple types: PR, K, E, J, T, B, R, S, C, N, U, L, P

Sampling rate: 100 millise./16 points

50 millise./8 points

• **Trigger input:** Dry contact; ON detected at ≤1.5 V

Sensing: Approx. 5 V DC @ 1 mA

INSTALLATION

Power consumption

• **AC:** Approx. 10 VA

• **DC:** Approx. 7 W

Operating temperature: -5 to +60°C (23 to 140°F)

Operating humidity: 30 to 90 %RH (non-condensing)

Mounting: Surface or DIN rail

Weight: 400 g (0.88 lb)

PERFORMANCE (% of measuring range)

Accuracy

DC input: ±0.3 %

Thermocouple input: See the table on the end of this section.

Cold junction compensation error: ±3°C or ±5.4°F max.
(at 20°C ±10°C or 68°F ±18°F)

Temp. coefficient: ±0.015 %/°C (±0.008 %/°F)
±0.05 %/°C (±0.03 %/°F) for 10 mV range and T/C B (RH)

Response time: Approx. 0.1 sec. (0 - 90 %)

Insulation resistance: ≥ 100 MΩ with 500 V DC

Dielectric strength: 2000 V AC @ 1 minute (input to RS-232-C or RS-485 to power to FG)

Thermocouple Accuracy

T/C	USABLE RANGE (°C)	ACCURACY (%)	CONFORMANCE RANGE (°C)
(PR)	0 to 1770	±0.5	400 to 1770
K (CA)	-270 to +1370	±0.3	0 to 1370
E (CRC)	-270 to +1000	±0.7	0 to 1000
J (IC)	-210 to +1200	±0.7	0 to 1200
T (CC)	-270 to +400	±1.0	0 to 400
B (RH)	100 to 1820	±0.7	700 to 1820
R	-50 to +1760	±0.7	400 to 1760
S	-50 to +1760	±0.7	400 to 1760
C (WRe 5-26)	0 to 2320	±0.7	0 to 2320
N	-270 to +1300	±0.5	0 to 1300
U	-200 to +600	±0.5	0 to 600
L	-200 to +900	±0.3	0 to 900
P (Platinel II)	0 to 1395	±0.5	0 to 1395

T/C	USABLE RANGE (°F)	ACCURACY (%)	CONFORMANCE RANGE (°F)
(PR)	32 to 3218	±0.5	752 to 3218
K (CA)	-454 to +2498	±0.3	32 to 2498
E (CRC)	-454 to +1832	±0.7	32 to 1832
J (IC)	-346 to +2192	±0.7	32 to 2192
T (CC)	-454 to +752	±1.0	32 to 752
B (RH)	212 to 3308	±0.7	1292 to 3308
R	-58 to +3200	±0.7	752 to 3200
S	-58 to +3200	±0.7	752 to 3200
C (WRe 5-26)	32 to 4208	±0.7	32 to 4208
N	-454 to +2372	±0.5	32 to 2372
U	-328 to +1112	±0.5	32 to 1112
L	-328 to +1652	±0.3	32 to 1652
P (Platinel II)	32 to 1395	±0.5	32 to 1395

Note: CJC error is not included.

STANDARDS & APPROVALS

EU conformity:

EMC Directive

EMI EN 61000-6-4

EMS EN 61000-6-2

Low Voltage Directive

EN 61010-1

Installation Category II

Pollution Degree 2

Input or RS-232-C/RS-485 to power: Reinforced insulation (300 V)

Input to RS-232-C/RS-485: Basic insulation (300 V)

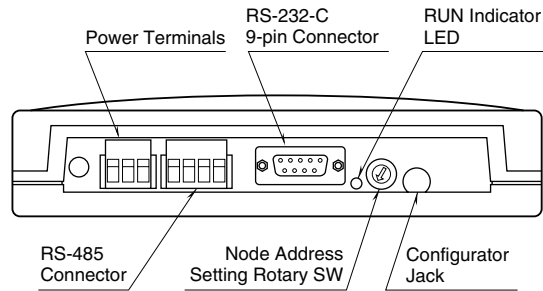
RoHS Directive

PC RECORDER SOFTWARE

PC Recorder Software Package (model: MSRPAC-2010) is included with purchases of this model.

Refer to the MSRPAC-2010 data sheet for the contents of the package and the requirements for the PC to be prepared by the user.

EXTERNAL VIEW

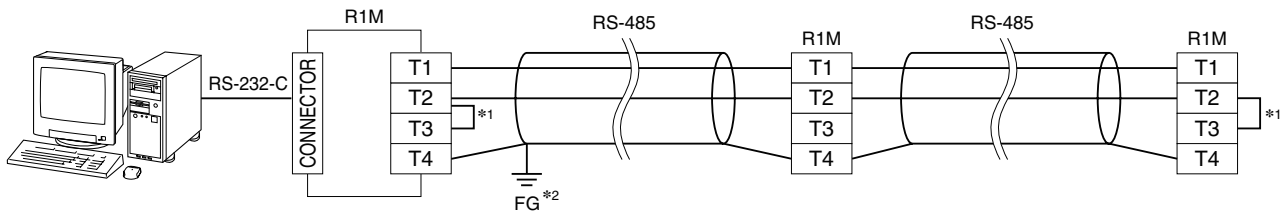


■ RS-232-C INTERFACE



ABBR.	PIN NO.	EXPLANATION OF FUNCTION
BA (SD)	2	Transmitted Data
BB (RD)	3	Received Data
AB (SG)	5	Signal Common
CB (CS)	7	Clear to Send
CA (RS)	8	Request to Send
	1	Not Used.
	4	DO NOT connect. Connecting may cause malfunctions.
	6	
	9	

MODBUS WIRING CONNECTION

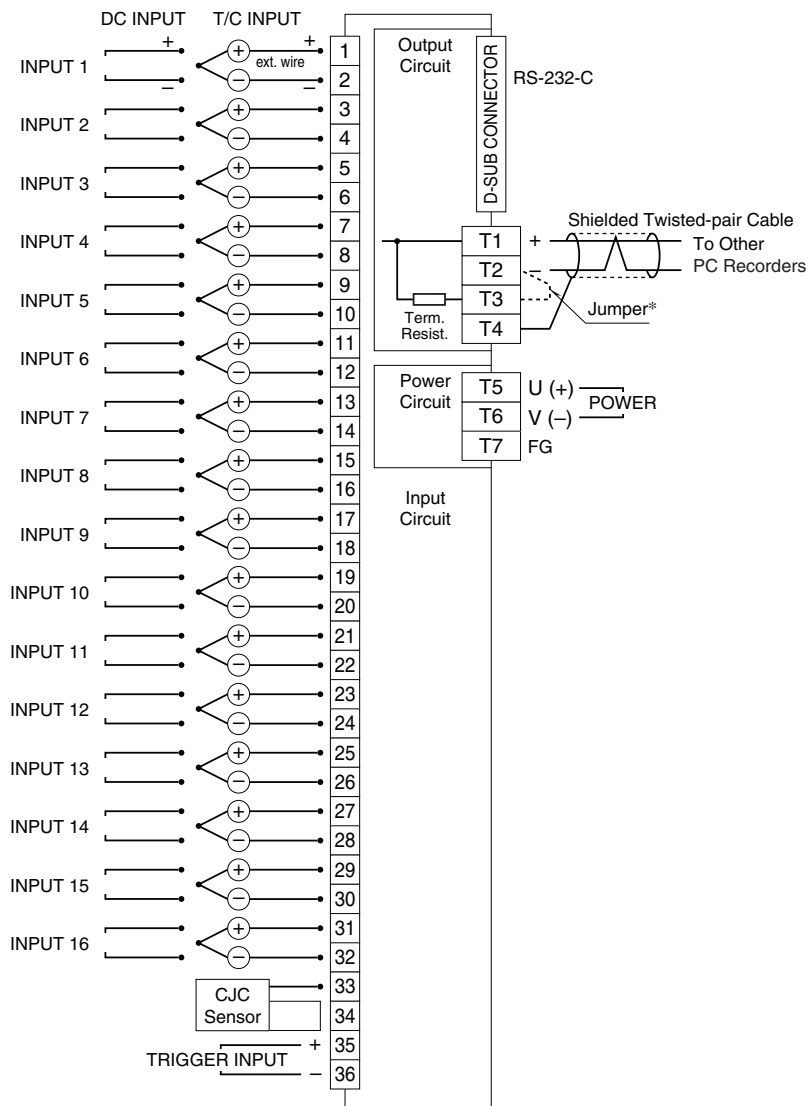


- *1. Internal terminating resistor is used when the device is at the end of a transmission line.
- *2. Install shielded cables to all sections and ground them at single point.

CONNECTION DIAGRAM

Note: In order to improve EMC performance, bond the FG terminal to ground.

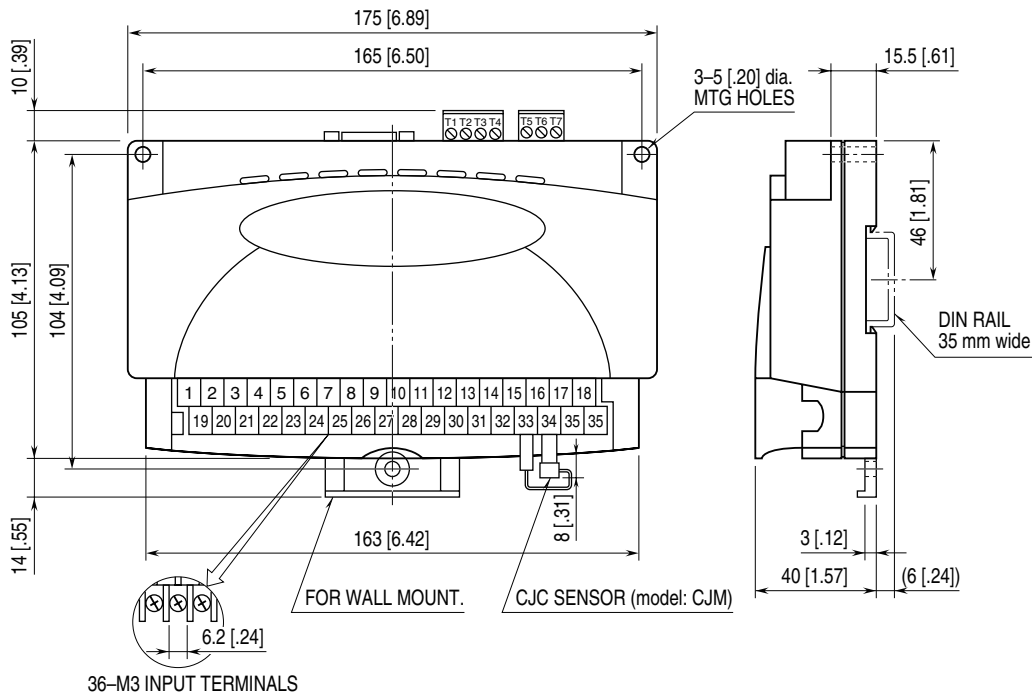
Caution: FG terminal is NOT a protective conductor terminal.



- * When the device is located at the end of a transmission line via twisted-pair cable, (when there is no cross-wiring), close across the terminal T2 – T3 with the attached jumper pin (or with a leadwire).
When the device is not at the end, remove the jumper pin.

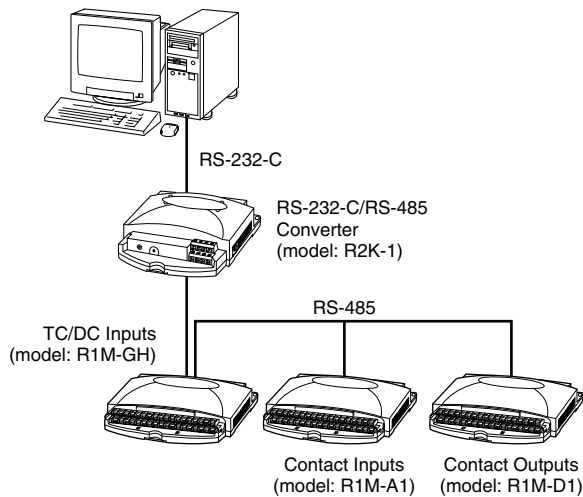
- Note 1: This device is not designed to cancel noise included in the input signals.
Be careful to eliminate such noise by using shielded cables.
- Note 2: Be sure to maintain the same potential at all the common negative terminals for DC input.

EXTERNAL DIMENSIONS & TERMINAL ASSIGNMENTS unit: mm [inch]



SYSTEM CONFIGURATION EXAMPLES

■ For MSR128



When the cable distance between the PC and the R1Ms is long, insert an RS-232-C/RS-485 Converter for isolation. Only one (1) node is connectable for the MSR16H software.



Specifications are subject to change without notice.