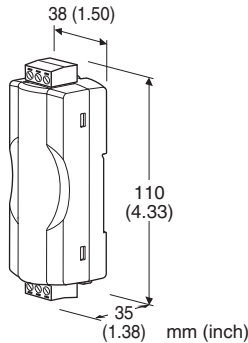


NOISE FILTER FOR LonWorks

(FTT-10A)

Functions & Features

- Compatible to FTT-10A network
- Satisfies the specifications of insulation choke for FTT-10A network recommended by Echelon



PERFORMANCE in percentage of span

Dielectric strength: 500 V AC @ 1 minute (NetA to NetB to SHLD or G)

Series resistance: $\leq 1.5 \Omega$

Inductance value: $\geq 1.8 \text{ mH @ } 10 \text{ kHz}$

Capacitance: 40 pF @ 10 kHz

MODEL: NF-LWA

ORDERING INFORMATION

- Code number: NF-LWA-1

SHIELD TERMINAL

1: With

APPLICABLE NETWORK

LonWorks FTT-10A network

This unit is not applicable to LonWorks Link Power network.

GENERAL SPECIFICATIONS

Connection:

Network: Euro type connector terminal
(Applicable wire size: 0.2 to 2.5 mm²)

Ground: M3 screw terminals (torque: 0.6 N·m)

Screw terminal: Nickel-plated brass

Housing material: Flame-resistant resin (black)

INSTALLATION

Operating temperature: -25 to +70°C (-13 to +158°F)

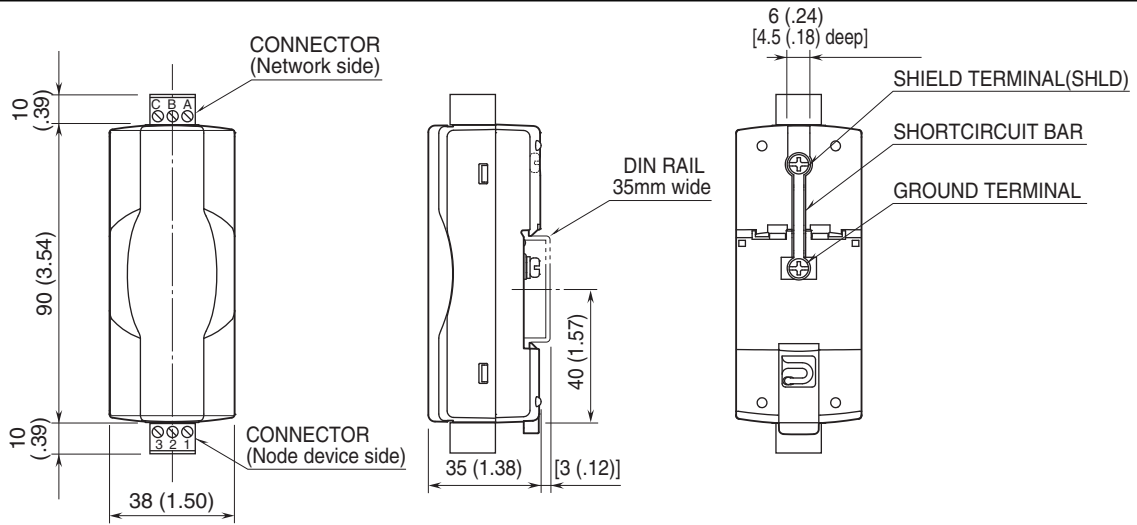
Operating humidity: 10 to 90 %RH (non-condensing)

Mounting: DIN Rail (TH35-7.5, 1-mm-thick)

When this unit is earthed via a DIN rail, use a steel or copper rail. Oxide film on the surface of an aluminium rail may lower the electric conductivity between this module and the ground.

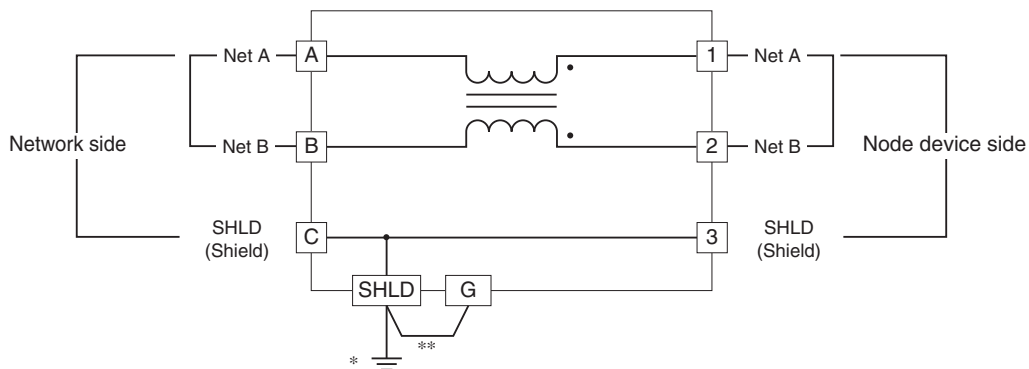
Weight: 80 g (2.8 oz)

EXTERNAL DIMENSIONS & TERMINAL ASSIGNMENTS unit: mm (inch)



• When mounting, no extra space is needed between units.

SCHEMATIC CIRCUITRY & CONNECTION DIAGRAM



- * When grounding the shield wire via shield terminal.
Provide a grounding circuit separately and connect it, when grounding the shield wire via capacitors or resistors.
- ** When the unit is earthed via DIN rail, connect a shortcircuit bar.
In that case, the DIN rail must be steel or copper rail. The shortcircuit bar is connected as factory default.



Specifications are subject to change without notice.