

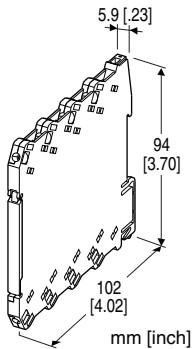
Euro Terminal Ultra-Slim Signal Conditioners M6D Series

Power indicator LED: Green LED turns on when the power is supplied.

POWER SUPPLY MODULE

Functions & Features

- Supplies power to the M6D modules mounted on the Installation Base
- High-density mounting
- Power indicator LED



INSTALLATION

Power input: 2 A (Total current consumed by signal conditioners on the base must be 2 A or less.)

Operating temperature: -20 to +55°C (-4 to +131°F)

Operating humidity: 30 to 90 %RH (non-condensing)

Mounting: Installation Base (model: M6DBS)

Weight: 60 g (2.1 oz)

PERFORMANCE

Insulation resistance: $\geq 100 \text{ M}\Omega$ with 500 V DC

Dielectric strength: 2000 V AC @1 minute (power to ground)

STANDARDS & APPROVALS

EU conformity:

EMC Directive

EMI EN 61000-6-4

EMS EN 61000-6-2

RoHS Directive

MODEL: M6DPS1-R[1]

ORDERING INFORMATION

- Code number: M6DPS1-R[1]

Specify a code from below for [1].

(e.g. M6DPS1-R/Q)

- Specify the specification for option code /Q

(e.g. /C01)

POWER INPUT

DC Power

R: 24 V DC

(Operational voltage range 22 - 27 V, ripple 10 %p-p max.)

[1] OPTIONS

Other Options

blank: none

/Q: Option other than the above (specify the specification)

SPECIFICATIONS OF OPTION: Q

COATING (For the detail, refer to M-System's web site.)

/C01: Silicone coating

/C02: Polyurethane coating

GENERAL SPECIFICATIONS

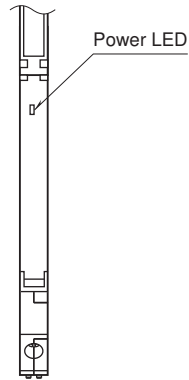
Connection: Euro terminal (torque 0.3 N·m)

Applicable wire size: 0.2 to 2.5 mm², stripped length 8 mm

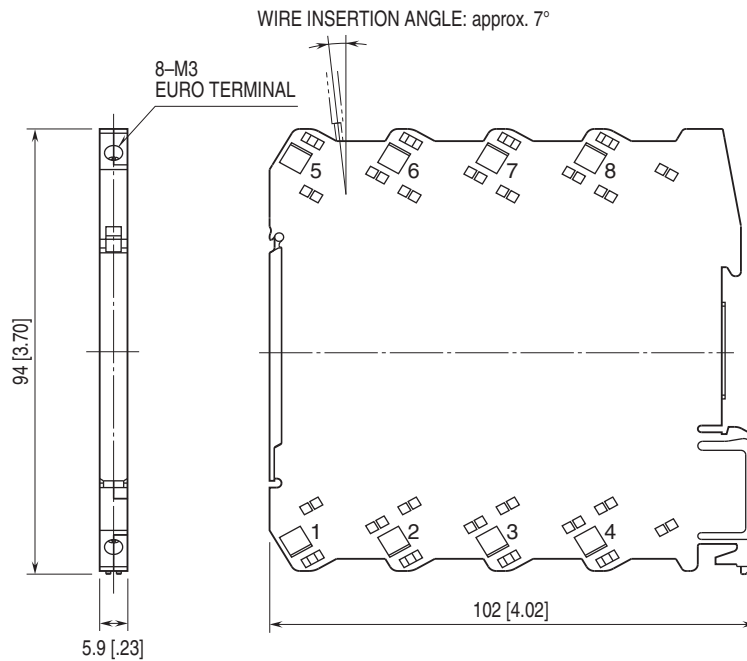
Housing material: Flame-resistant resin (black)

EXTERNAL VIEW

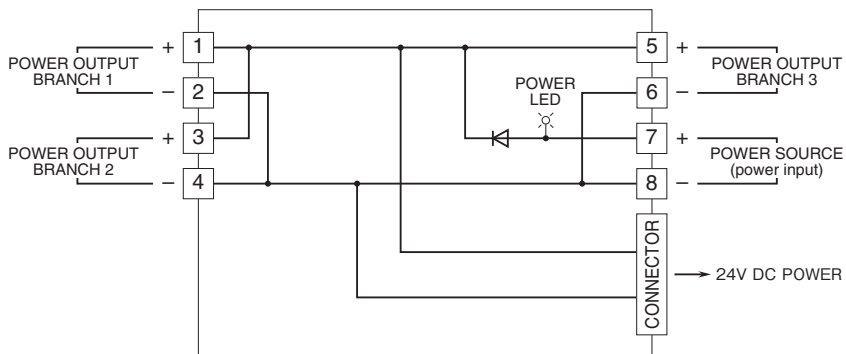
(With the cover open)



EXTERNAL DIMENSIONS & TERMINAL ASSIGNMENTS unit: mm [inch]



SCHEMATIC CIRCUITRY & CONNECTION DIAGRAM





Specifications are subject to change without notice.