

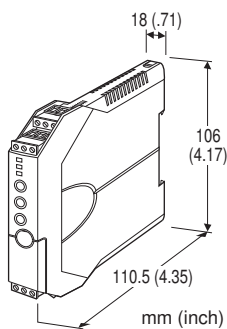
Space-saving Signal Conditioners M3-UNIT Series

THERMOCOUPLE TRANSMITTER

(field- and PC-configurable)

Functions & Features

- Accepts a thermocouple input and provides an isolated, linearized DC signal
- Easy 'One-Step Cal' calibration using the front three control buttons without needing a PC; PC software is also usable.
- Both input and output type and range are configurable
- Front control button function can be locked
- Cold junction compensation
- Linearization and burnout

**MODEL: M3LT-R4/[1][2]****ORDERING INFORMATION**

- Code number: M3LT-R4/[1][2]
- Specify a code from below for each of [1] and [2].
(e.g. M3LT-R4/A/UL/Q)
- Specify the specification for option code /Q
(e.g. /C01)
 - Orders will be shipped at default factory settings (K, 0 - 1000°C input/4 - 20 mA output)

INPUT - Field-selectable**Thermocouple**

(PR), K (CA), E (CRC), J (IC), T (CC), B (RH), R, S, C (WR5-26), N, U, L, P (Platinel II)

OUTPUT - Field-selectable**Current**

0 - 20 mA DC

Voltage

-2.5 - +2.5 V DC

-10 - +10 V DC

POWER INPUT**DC Power**

R4: 10 - 32 V DC

(Operational voltage range 9 - 36 V, ripple 10 %p-p max.)

[1] CONFIGURATION OPTIONS

A: PC and field configurable

B: Field configurable

[2] OPTIONS (multiple selections)**Standards & Approvals**

blank: CE marking

/UL: UL approval, CE marking

Other Options

blank: none

/Q: Option other than the above (specify the specification)

SPECIFICATIONS OF OPTION: Q**COATING (For the detail, refer to M-System's web site.)**

/C01: Silicone coating

/C02: Polyurethane coating

/C03: Rubber coating (UL not available)

RELATED PRODUCTS

- PC configurator software (model: M3CFG)

Downloadable at M-System's web site.

A dedicated cable is required to connect the module to the PC. Please refer to the internet software download site or the users manual for the PC configurator for applicable cable types.

GENERAL SPECIFICATIONS**Construction:** Small-sized front terminal structure**Connection:** Euro type connector terminal(applicable wire size: 0.2 to 2.5 mm², stripped length 8 mm)**Housing material:** Flame-resistant resin (gray)**Isolation:** Input to output to power**Overrange output:** -15 to +115 %**Zero adjustment:** -15 to +15 % (front)**Span adjustment:** 85 to 115 % (front)**Burnout:** Upscale (default), downscale or no burnout selectable**Linearization:** Standard**Cold junction compensation:** CJC sensor attached to the input terminals**Status indicator LED:** Tri-color (green/amber/red) LED;

Blinking patterns indicate operation status of the transmitter.

Configuration:**PC Configurator:** (Model: M3LTCFG) via Windows PC

connected to the front jack.

Programmable features include:

- I/O type and range
- Zero and span adjustments
- Burnout action
- User's T/C table setting
(max. 300 points, input emf specified within
-100 - +1000 mV)
- Others

(Refer to the instruction manual)

'One-Step Cal' calibration: With I/O type and the full-scale range configured via the internal DIP switches, precise 0 % and 100 % ranges are calibrated via the front control buttons with a help of LED. Also I/O calibration and fine adjustment are available with a PC.

Configurator connection: 2.5 dia. miniature jack;
RS-232-C level

INPUT SPECIFICATIONS

■ **Thermocouple:** See table 1

Input resistance: $\geq 1 \text{ M}\Omega$

Burnout sensing: 130 nA $\pm 10 \%$

Temperature range: See Table 1.

OUTPUT SPECIFICATIONS

■ DC Current

Maximum range: 0 - 20 mA DC

Minimum span: 1 mA

Conformance range: 0 - 24 mA DC

(Negative overrange current below 0 mA is not available.)

Offset: Lower range can be any specific value within the output range provided that the minimum span is maintained.

Load resistance: Output drive 12 V maximum

■ DC Voltage

Narrow Spans

Maximum range: -2.5 - +2.5 V DC

Minimum span: 250 mV

Conformance range: -3 - +3 V DC

Wide Spans

Maximum range: -10 - +10 V DC

Minimum span: 1 V

Conformance range: -11.5 - +11.5 V DC

Offset: Lower range can be any specific value within the output range provided that the minimum span is maintained.

Load resistance: Output drive 1 mA maximum

INSTALLATION

Power consumption

• **DC:** Approx. 3 W

Operating temperature: -25 to +65°C (-13 to +149°F)

Max. 55°C (131°F) for UL approval

Operating humidity: 0 to 95 %RH (non-condensing)

Mounting: DIN rail

Weight: 100 g (0.22 lb)

PERFORMANCE

Accuracy: See Table 1 and refer to calculation examples of overall accuracy.

Cold junction compensation error:

$\pm 0.5^\circ\text{C}$ at $25 \pm 10^\circ\text{C}$

$\pm 0.9^\circ\text{F}$ at $77 \pm 18^\circ\text{F}$

Temp. coefficient: $\pm 0.015 \%/^\circ\text{C}$ ($\pm 0.008 \%/^\circ\text{F}$) of max. span at -5 to +55°C [23 to 131°F]

Response time: ≤ 0.9 sec. (0 - 90 %)

Burnout response: ≤ 10 sec.

Line voltage effect: $\pm 0.1 \%$ over voltage range

Insulation resistance: $\geq 100 \text{ M}\Omega$ with 500 V DC

Dielectric strength: 1500 V AC @ 1 minute

(input to output or power to ground)

500 V AC @ 1 minute (output to power)

CALCULATION EXAMPLES OF OVERALL ACCURACY

[Example 1]

Input: K thermocouple, 0 - 1000°C, Output: 4 - 20 mA DC

1) Absolute value accuracy (Table 1): 0.25°C

2) CJC error (0.5°C) added: 0.75°C

3) $0.75^\circ\text{C} \div 1000^\circ\text{C} \times 100 = 0.075 \%$

4) $0.075 \% < 0.1 \%$ of span. $\Rightarrow 0.1 \%$ is selected.

5) Output span 16 mA (= 20 mA - 4 mA)

Max. span 20 mA

Output span $\geq 1/10$ of max. span \Rightarrow No need of adding 0.2 %.

6) Overall accuracy equals $\pm 0.1 \%$ of span

[Example 2]

Input: K thermocouple, 50 - 150°C, Output: 2.0 - 2.5 V DC

1) Absolute value accuracy (Table 1): 0.25°C

2) CJC error (0.5°C) added: 0.75°C

3) $0.75^\circ\text{C} \div (150 - 50)^\circ\text{C} \times 100 = 0.75 \%$

4) $0.75 \% > 0.1 \%$ of span. $\Rightarrow 0.75 \%$ is selected.

5) Output span 0.5 V (= 2.5 V - 2.0 V)

Max. span 5 V

Output span $\leq 1/10$ of max. span \Rightarrow Add 0.2 %.

6) Overall accuracy equals $\pm 0.95 \%$ of span (0.75 + 0.2)

STANDARDS & APPROVALS

EU conformity:

EMC Directive

EMI EN 61000-6-4

EMS EN 61000-6-2

RoHS Directive

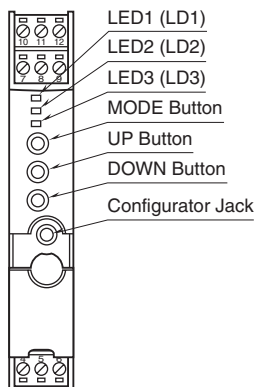
Approval:

UL/C-UL general safety requirements

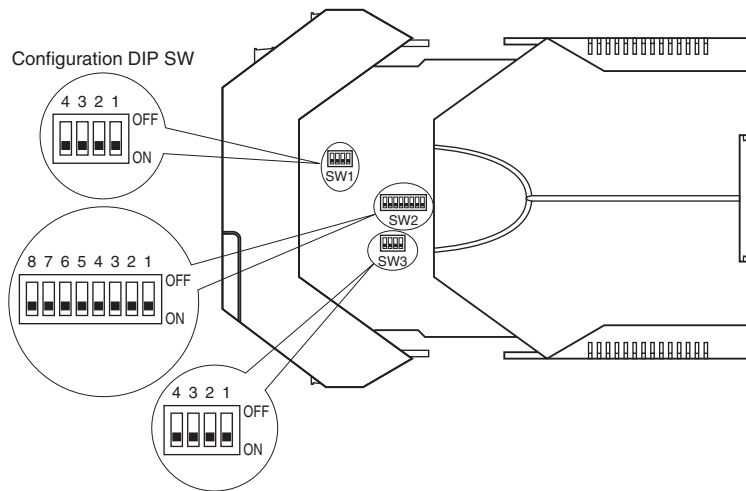
(UL 61010-1, CAN/CSA-C22.2 No.1010-1)

EXTERNAL VIEW

FRONT VIEW



SIDE VIEW



The DIP switch setting is required to select output types before setting a precise output range using the PC configurator software.

For detailed information on the configuration and calibration, refer to the instruction manual.

INPUT TYPE, RANGE & ACCURACY

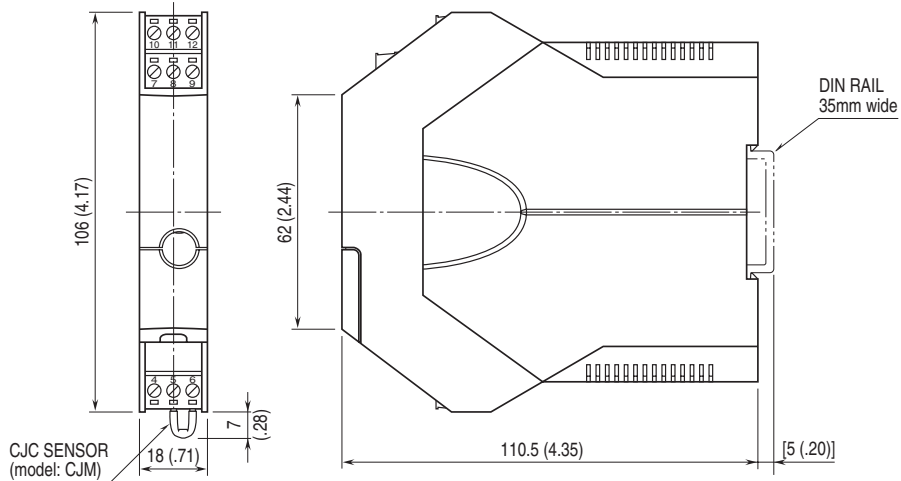
INPUT TYPE, RANGE & ACCURACY

Table 8

Thermocouple	°C				°F			
	MIN. SPAN	MAXIMUM RANGE	CONFORMANCE RANGE	ACCURACY*1	MIN. SPAN	MAXIMUM RANGE	CONFORMANCE RANGE	ACCURACY*1
(PR)	20	0 to 1760	0 to 1760	±1.00	36	32 to 3200	32 to 3200	±1.80
K (CA)	20	-270 to +1370	-150 to +1370	±0.25	36	-454 to +2498	-238 to +2498	±0.45
E (CRC)	20	-270 to +1000	-170 to +1000	±0.20	36	-454 to +1832	-274 to +1832	±0.36
J (IC)	20	-210 to +1200	-180 to +1200	±0.25	36	-346 to +2192	-292 to +2192	±0.45
T (CC)	20	-270 to +400	-170 to +400	±0.25	36	-454 to +752	-274 to +752	±0.45
B (RH)	20	100 to 1820	400 to 1760	±0.75	36	212 to 3308	752 to 3200	±1.35
R	20	-50 to +1760	200 to 1760	±0.50	36	-58 to +3200	392 to 3200	±0.90
S	20	-50 to +1760	0 to 1760	±0.50	36	-58 to +3200	32 to 3200	±0.90
C (WRe 5-26)	20	0 to 2315	0 to 2315	±0.80	36	32 to 4199	32 to 4199	±1.44
N	20	-270 to +1300	-130 to +1300	±0.30	36	-454 to +2372	-202 to +2372	±0.54
U	20	-200 to +600	-200 to +600	±0.20	36	-328 to +1112	-328 to +1112	±0.36
L	20	-200 to +900	-200 to +900	±0.25	36	-328 to +1652	-328 to +1652	±0.45
P(Platinel II)	20	0 to 1395	0 to 1395	±0.25	36	32 to 2543	32 to 2543	±0.45

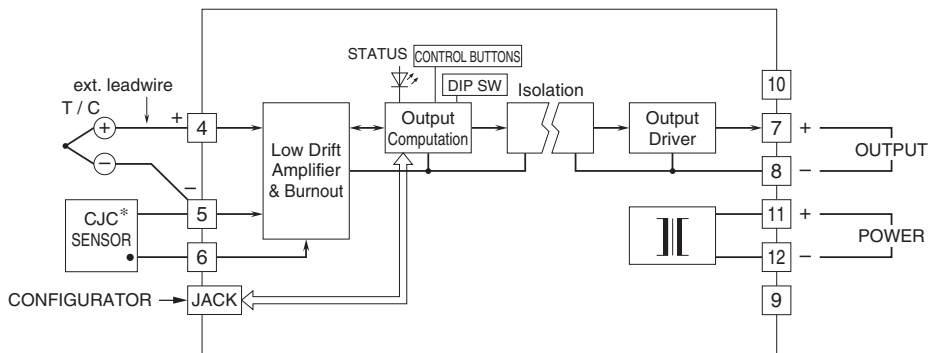
*1. [Accuracy + Cold Junction Compensation Error 0.5°C (0.9°F)] or ±0.1% of span, whichever is greater.
If the selected output span equals to or narrower than the one-tenth of the maximum span, add 0.2%.

EXTERNAL DIMENSIONS & TERMINAL ASSIGNMENTS unit: mm (inch)



• When mounting, no extra space is needed between units.

SCHEMATIC CIRCUITRY & CONNECTION DIAGRAM



* The CJC Sensor is secured to the terminal 6.
Loosen only the terminal 4 – 5 and connect the T/C extension wires.



Specifications are subject to change without notice.