

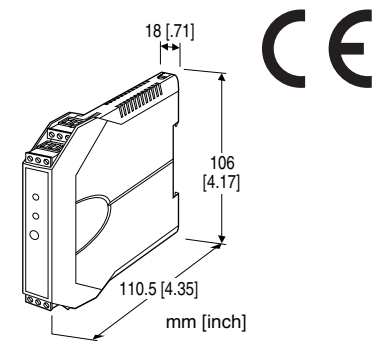
Space-saving Signal Conditioners M3-UNIT Series

21.6 - 264 V DC, ripple 10 %p-p max.)

CURRENT LOOP SUPPLY

Functions & Features

- Powers a two-wire transmitter with 4-20 mA DC output and galvanically isolates its output signal
- High-density mounting available
- Power indicator LED
- Smart transmitter available



MODEL: M3DY-[1]-[2][3]

ORDERING INFORMATION

- Code number: M3DY-[1]-[2][3]
- Specify a code from below for each of [1] through [3].
(e.g. M3DY-A-R/Q)
- Specify the specification for option code /Q
(e.g. /C01)

INPUT

Current

4 - 20 mA DC (Input resistance approx. 250 Ω)

[1] OUTPUT

Current

A: 4 - 20 mA DC (Load resistance 550 Ω max.)

Voltage

- 4: 0 - 10 V DC (Load resistance 10 kΩ min.)
- 5: 0 - 5 V DC (Load resistance 5000 Ω min.)
- 6: 1 - 5 V DC (Load resistance 5000 Ω min.)

[2] POWER INPUT

DC Power

R: 24 V DC

(Operational voltage range 24 V ±10 %, ripple 10 %p-p max.)

Universal

AD: 100 - 240 V AC / 24 - 240 V DC (universal)

(Operational voltage range 90 - 264 V AC, 47 - 66 Hz /

[3] OPTIONS

blank: none

/Q: With options (specify the specification)

SPECIFICATIONS OF OPTION: Q

COATING (For the detail, refer to M-System's web site.)

/C01: Silicone coating

/C02: Polyurethane coating

/C03: Rubber coating

GENERAL SPECIFICATIONS

Construction: Small-sized front terminal structure

Connection: Euro type connector terminal

(applicable wire size: 0.2 to 2.5 mm², stripped length 8 mm)

Housing material: Flame-resistant resin (gray)

Isolation: Input to output to power

Zero adjustment: -2 to +2 % (front)

Span adjustment: 98 to 102 % (front)

Power indicator LED: Green LED turns on when the power is supplied.

SUPPLY OUTPUT

(Across the terminals 4 - 5)

Output voltage: 24 - 28 V DC with no load

18 V DC min. at 20 mA

Current rating: ≤ 22 mA DC

• **Shortcircuit Protection**

Current limited: 45 mA max.

Protected time duration: No limit

INPUT SPECIFICATIONS

■ **DC Current:** Input resistor incorporated

INSTALLATION

Power Consumption

• **AC:**

Approx. 3 VA at 100 V

Approx. 4 VA at 200 V

Approx. 5 VA at 264 V

• **DC:** Approx. 2 W

Operating temperature: -20 to +55°C (-4 to +131°F)

Operating humidity: 30 to 90 %RH (non-condensing)

Mounting: DIN rail

Weight: 100 g (0.22 lb)

PERFORMANCE in percentage of span

Accuracy: $\pm 0.1\%$

Temp. coefficient: $\pm 0.015\%/^{\circ}\text{C}$ ($\pm 0.008\%/^{\circ}\text{F}$)

Response time: ≤ 100 msec. (0 - 90 %)

Line voltage effect: $\pm 0.1\%$ over voltage range

Insulation resistance: $\geq 100\text{ M}\Omega$ with 500 V DC

Dielectric strength: 2000 V AC @1 minute (input to output to power to ground)

STANDARDS & APPROVALS

EU conformity:

EMC Directive

EMI EN 61000-6-4

EMS EN 61000-6-2

Low Voltage Directive

EN 61010-1

Installation Category II

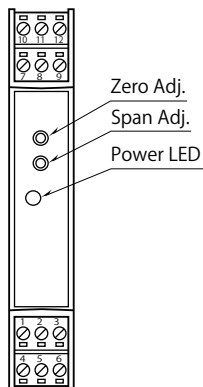
Pollution Degree 2

Input or output to power: Reinforced insulation (300 V)

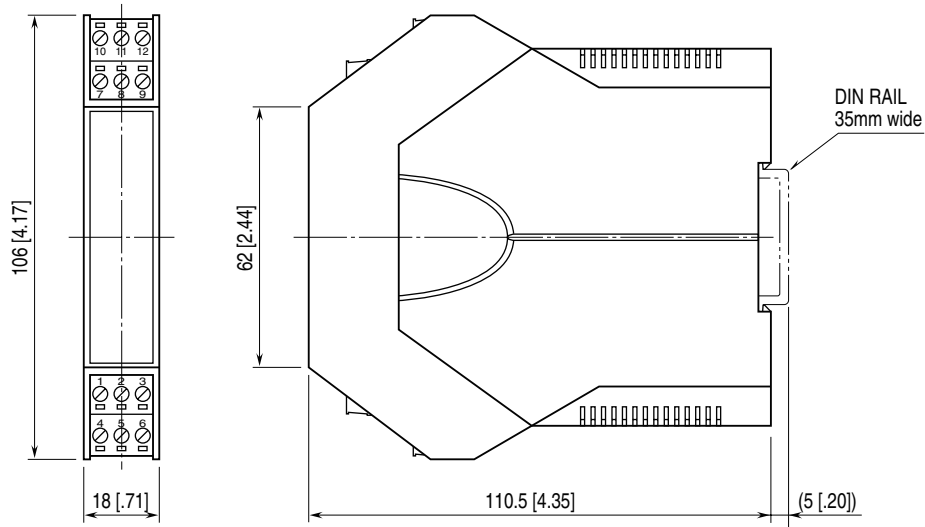
Input to output: Basic insulation (300 V)

RoHS Directive

EXTERNAL VIEW

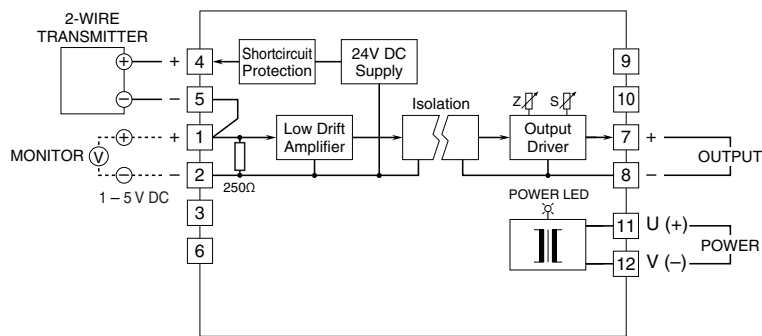


EXTERNAL DIMENSIONS & TERMINAL ASSIGNMENTS unit: mm [inch]

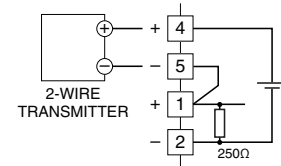


• When mounting, no extra space is needed between units.

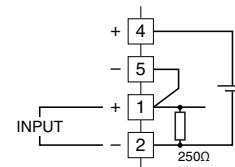
SCHEMATIC CIRCUITRY & CONNECTION DIAGRAM



■ When Used as DC Supply



■ When Used as Isolator



Specifications are subject to change without notice.