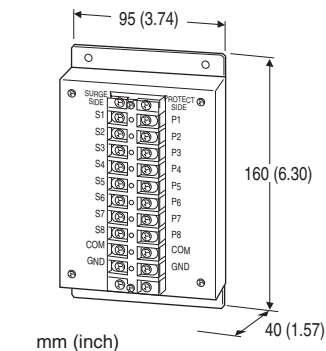


Lightning Surge Protectors for Electronics Equipment M-RESTER

MULTI M-RESTER

Functions & Features

- Designed specifically for ON-OFF signals, protecting semiconductor switches used for ON-OFF outputs from the computer or PLC from lightning surge damage that enters on the wiring between these instruments
- 8 channels
- Most convenient as junction board
- Minimum mounting space



Each line - COM: 40 V max.

Each line or COM - G: ± 650 V max.

(The maximum voltage that could pass through M-RESTER. Protected equipment must be able to withstand this voltage for very short time period.)

Response time: ≤ 0.1 μ sec.

Leakage current

Between each of S1-S8 lines: ≤ 5 μ A at ± 30 V DC

Each line - COM: ≤ 5 μ A at 30 V DC

Each line or COM - G: ≤ 5 μ A at ± 60 V DC

Max. discharge current (I_{max}): 1000 A (8/ 20 μ sec.)

Max. load current: 100 mA

Internal series resistance: Approx. 100 Ω

MODEL: MDR-8

ORDERING INFORMATION

- Code number: MDR-8

GENERAL SPECIFICATIONS

Construction: terminal board; terminal cover provided

Connection: M3 screw terminals (torque 0.5 N·m)

Screw terminal: Nickel-plated brass

Housing material: Steel plate t = 1.2 (black)

INSTALLATION

Operating temperature: -5 to +55°C (23 to 131°F)

Operating humidity: 30 to 90 %RH (non-condensing)

Mounting: Surface

Weight: 510 g (1.12 lbs)

PERFORMANCE

Discharge voltage (peak voltage)

Between each of S1-S8 lines: ± 30 V min.

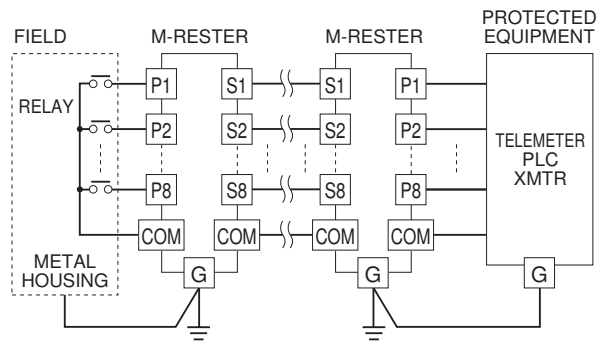
Each line - COM: 30 V min.

Each line or COM - G: ± 60 V min.

Maximum surge voltage

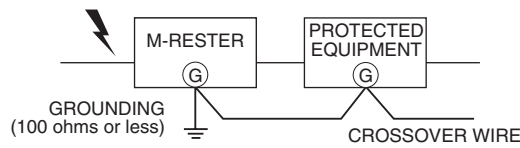
Between each of S1-S8 lines: ± 40 V max.

CONNECTION EXAMPLES



All negative lines are connected to COM.

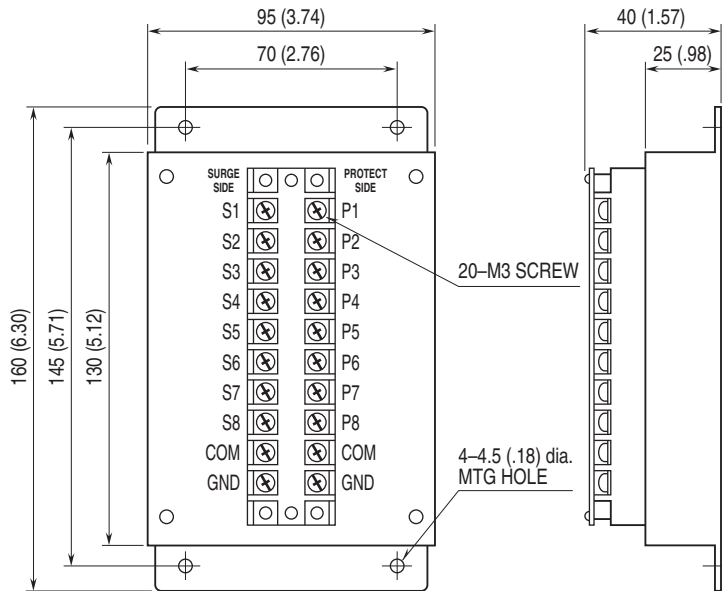
GROUNDING



A crossover wire between M-RESTER ground and ground or metallic housing of equipment is required for protection.

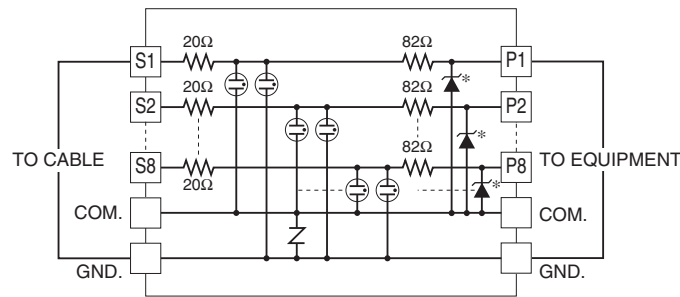
If the protected equipment has no ground terminal, ground the M-RESTER only.

EXTERNAL DIMENSIONS & TERMINAL ASSIGNMENTS unit: mm (inch)



•When mounting, no extra space is needed between units.

SCHEMATIC CIRCUITRY



*Zener diode has polarity.
Not applicable to zero-cross signals.



Specifications are subject to change without notice.