

Power Transducer Series LT-UNIT

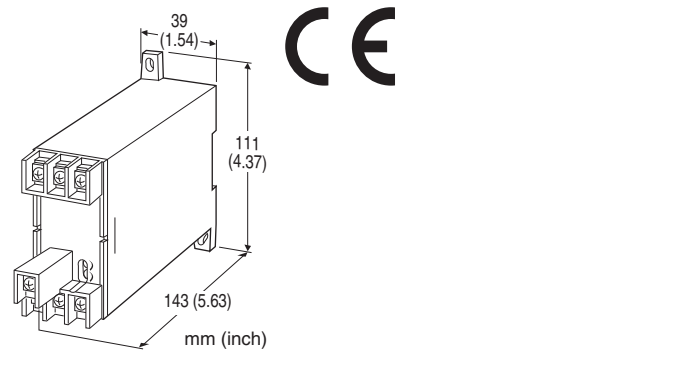
FREQUENCY TRANSDUCER

Functions & Features

- Provides a DC output signal in proportion to the deviation (± 5 Hz) from the center frequency (50 Hz or 60 Hz)
- DC output containing little ripple is ideal for computer input
- Isolation up to 2000 V AC
- High-density mounting
- Conforms to IEC 60688

Typical Applications

- Centralized monitoring and control of power management system in manufacturing facility or building
- Measuring frequency for UPS



MODEL: LTHZ-[1][2][3]-[4][5]

ORDERING INFORMATION

- Code number: LTHZ-[1][2][3]-[4][5]
- Specify a code from below for each of [1] through [5].
(e.g. LTHZ-11A-R/T/Q)
- Special output range (For codes Z & 0)
- Specify the specification for option code /Q
(e.g. /C01)

[1] FREQUENCY

- 1: 45 - 55 Hz
- 2: 55 - 65 Hz
- 3: 45 - 65 Hz

[2] VT INPUT

- 1: 100, 110, 115, 120 V AC
- 2: 190, 200, 210, 220, 230, 240 V AC
- 4: 380, 400, 415, 430, 440, 480 V AC

[3] OUTPUT

Current

- A: 4 - 20 mA DC (Load resistance 500 Ω max.)
- D: 0 - 20 mA DC (Load resistance 500 Ω max.)
- F: 0 - 10 mA DC (Load resistance 1000 Ω max.)
- G: 0 - 1 mA DC (Load resistance 10 k Ω max.)
- J: 0 - 5 mA DC (Load resistance 2000 Ω max.)
- Z: Specify current (See OUTPUT SPECIFICATIONS)

Voltage

- 1: 0 - 10 mV DC (Load resistance 10 k Ω min.)
- 2: 0 - 100 mV DC (Load resistance 100 k Ω min.)
- 3: 0 - 1 V DC (Load resistance 1000 Ω min.)
- 4: 0 - 10 V DC (Load resistance 10 k Ω min.)
- 5: 0 - 5 V DC (Load resistance 5000 Ω min.)
- 6: 1 - 5 V DC (Load resistance 5000 Ω min.)
- 0: Specify voltage (See OUTPUT SPECIFICATIONS)

[4] AUXILIARY POWER SUPPLY

AC Power

- K3: 100 - 120V AC
(Operational voltage range 85 - 132 V, 47 - 66 Hz)
- L3: 200 - 240V AC
(Operational voltage range 170 - 264 V, 47 - 66 Hz)

DC Power

- R: 24 V DC
(Operational voltage range 24 V ± 10 %, ripple 10 %p-p max.)
- V: 48 V DC
(Operational voltage range 48 V ± 10 %, ripple 10 % p-p max.)
- P: 110 V DC
(Operational voltage range 85 - 150 V, ripple 10 %p-p max.)
(CE not available)

[5] OPTIONS (multiple selections)

Terminal Cover

- blank: Without
- /T: With

Other Options

- blank: none
- /Q: Option other than the above (specify the specification)

SPECIFICATIONS OF OPTION: Q

COATING (For the detail, refer to M-System's web site.)

- /C01: Silicone coating
- /C02: Polyurethane coating
- /C03: Rubber coating

GENERAL SPECIFICATIONS

- Connection: M4 screw terminals (torque 1.2 N·m)
- Screw terminal: Chrome-plated steel
- Housing material: Flame-resistant resin (black)

Isolation: Input to output to auxiliary power

Computation: One-shot

Overrange output: Approx. -10 to +120 % at 1 - 5 V

Zero adjustment: -5 to +5 % (front)

Span adjustment: 95 to 105 % (front)

INPUT SPECIFICATIONS

Input burden: 1 VA

Overload capacity: 150 % of rating for 10 sec., 120 % continuous

Operational range: 85 - 120 % of rating

OUTPUT SPECIFICATIONS

■ **DC Current:** 0 - 20 mA DC

Minimum span: 1 mA

Offset: Max. 1.5 times span

Load resistance: Output drive 10 V max.

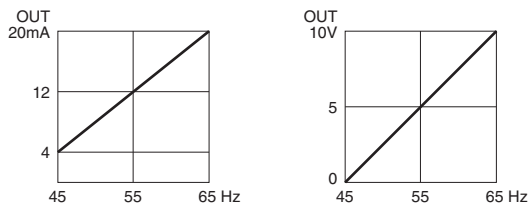
■ **DC Voltage:** 0 - 12 V DC

Minimum span: 5 mV

Offset: Max. 1.5 times span

Load resistance: Output drive 1 mA max.; at ≥ 0.5 V

■ **OPERATION DIAGRAM (example)**



Note: When there is no input voltage, the transducer outputs as negative (-) overrange.

INSTALLATION

Power Consumption

• **AC:** Approx. 2 VA

• **DC:** Approx. 2 W (18 mA at 110 V)

Operating temperature: -10 to +55°C (14 to 131°F)

Operating humidity: 30 to 85 %RH (non-condensing)

Mounting: Surface or DIN rail

Weight: 400 g (0.88 lb)

PERFORMANCE in percentage of span

Accuracy: ± 0.2 % (at 23°C ± 10 °C or 73.4°F ± 18 °F, 45 - 65 Hz)

Magnetic field (ext. origin) effect: ± 0.2 % (400 A/m)

Response time: ≤ 1 sec. (0 - 100 % ± 1 %)

Ripple: 0.5 %p-p max.

Line voltage effect: ± 0.1 % over voltage range

Insulation resistance: ≥ 100 M Ω with 500 V DC

Dielectric strength: 2000 V AC @1 minute

(input to output to auxiliary power to ground)

Impulse withstand voltage: 1.2 / 50 μ sec., ± 5 kV
(input to output or ground)

STANDARDS & APPROVALS

EU conformity:

EMC Directive

EMI EN 61000-6-4

EMS EN 61000-6-2

Low Voltage Directive

EN 61010-1

Measurement Category II (input)

Installation Category II (auxiliary power)

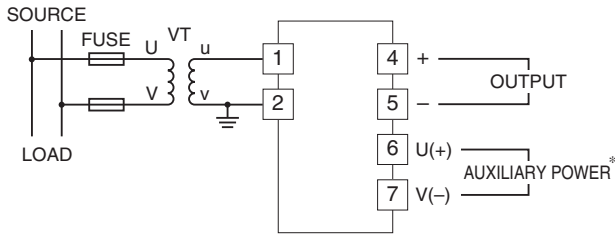
Pollution Degree 2

Input to output or auxiliary power: Reinforced insulation (550 V)

Output to auxiliary power: Reinforced insulation (300 V)

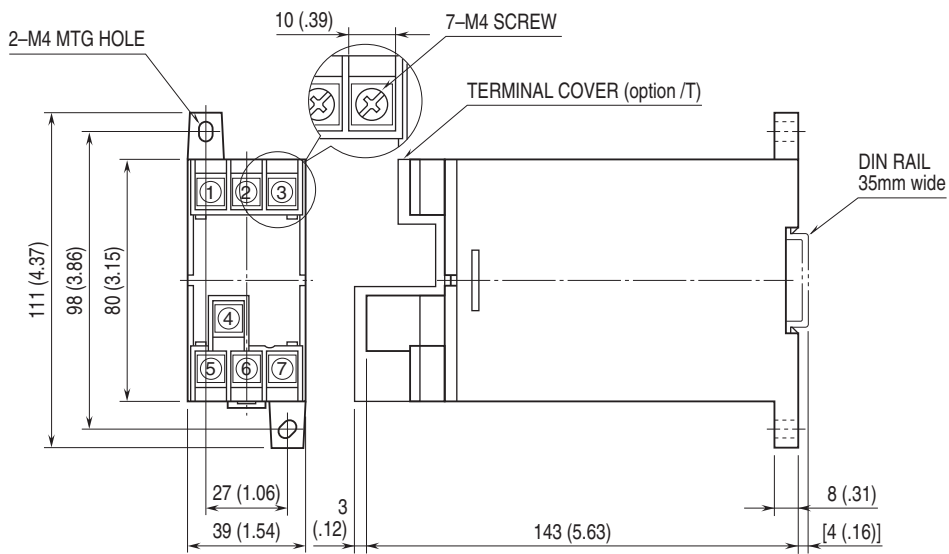
RoHS Directive

CONNECTION DIAGRAM



*The transducer can be powered from the input voltage when the voltage is sufficiently stable and meets within the range of auxiliary power supply of the unit specified in the data sheet/instruction manual.

EXTERNAL DIMENSIONS & TERMINAL ASSIGNMENTS unit: mm [inch]



• When mounting, no extra space is needed between units.



Specifications are subject to change without notice.