

Tower Light Series

MOUNTING POLE

Functions & Features

- Used for mounting Tower Light Series
- L-shaped mount and circular base mount are selectable

MODEL: ITPL2-[1]030

ORDERING INFORMATION

- Code number: ITPL2-[1]030

Specify a code from below for [1].

(e.g. ITPL2-C030)

[1] TYPE

C: circular base mount

L: L-shaped mount

LENGTH

030: 30 cm (9.8 ft.)

Pole length is changeable (special option).

Consult M-System.

GENERAL SPECIFICATIONS

Degree of protection:

- Circular base mount: IP65
- L-shaped mount: IP13

(When used in combination with Tower Light Series)

Material

Pole: Steel

Circular base: Aluminium

L-shaped bracket: Steel

AVAILABLE MODELS

Tower Light Series IT40SA2, IT50SA2, IT60SA2

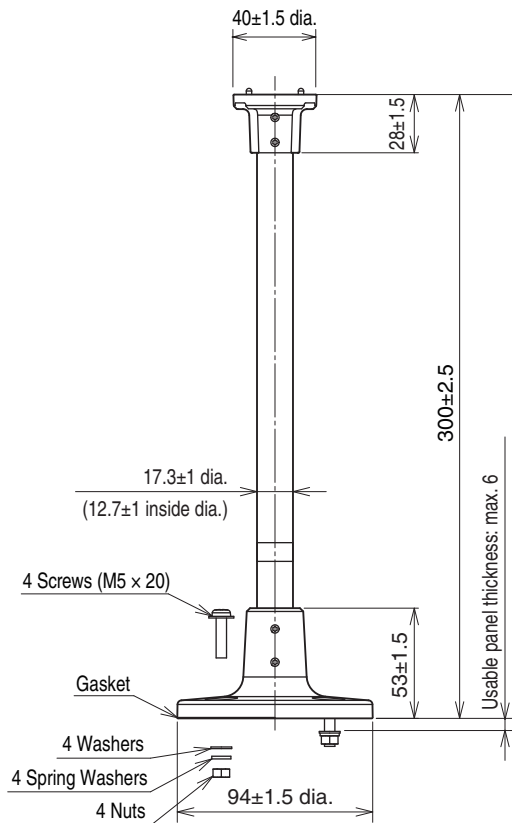
INSTALLATION

Weight: Approx. 0.5 kg (1.10 lb) for circular base mount

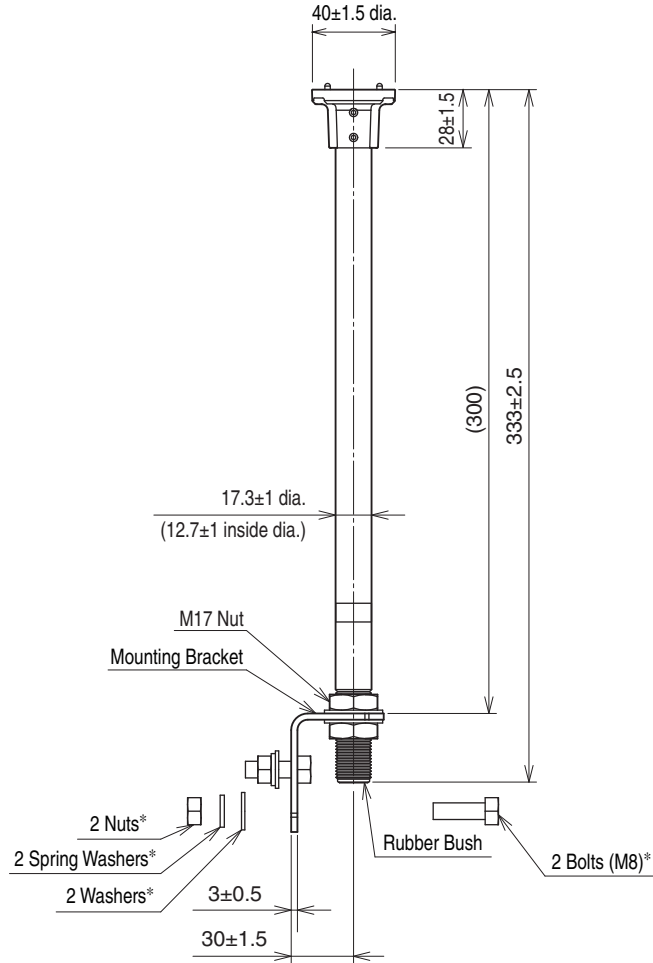
Approx. 0.4 kg (0.88 lb) for L-shaped mount

DIMENSIONS unit: mm

■ CIRCULAR BASE MOUNT TYPE



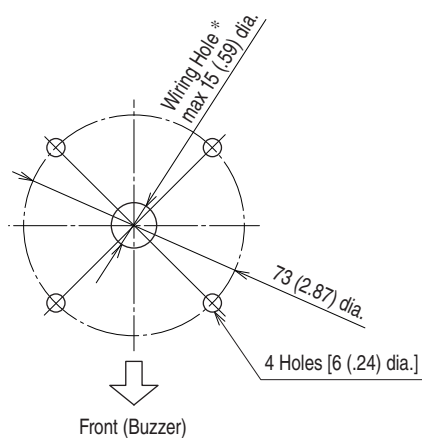
■ L-SHAPED MOUNT TYPE



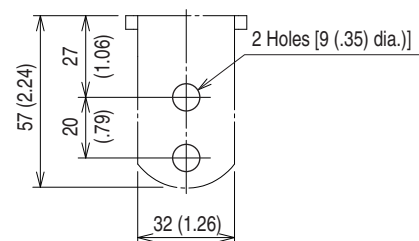
* Not included with product package.

MOUNTING REQUIREMENTS unit: mm (inch)

■ CIRCULAR BASE MOUNT TYPE



■ L-SHAPED MOUNT TYPE



* Protect wires to prevent scratching them on edges.
Determine the hole diameter according to the size of the wires.



Specifications are subject to change without notice.