

Tower Light Series

MOUNTING ADAPTER

Functions & Features

- Optional product for mounting Tower Light Series
- Conversion to 1/4 inch screw

MODEL: ITAD[1]

ORDERING INFORMATION

- Code number: ITAD[1]

Specify a code from below for [1].

(e.g. ITAD1)

[1] TYPE

1: Attachable to ITxSA1, ITxSRC, ITxSRE, ITxSW1,
ITxSW2, ITxSW4, ITxSW5, ITxSW6, ITxSW7

2: Attachable to ITxSA2

GENERAL SPECIFICATIONS

Material: Stainless steel

AVAILABLE MODELS

Tower Light Series

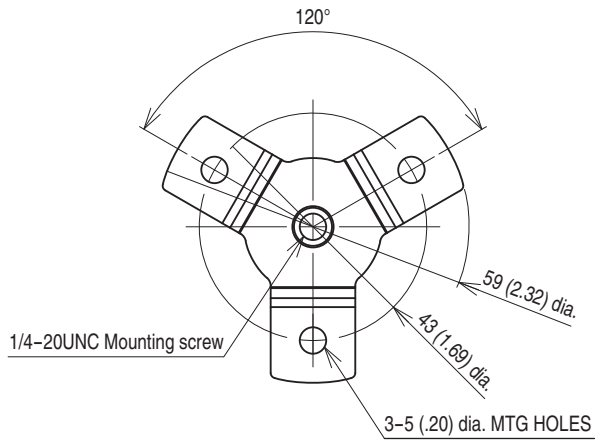
INSTALLATION

Weight: 35g (1.23 oz) for type 1

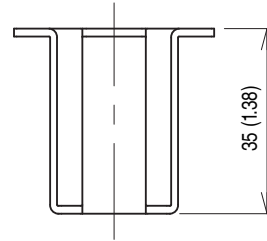
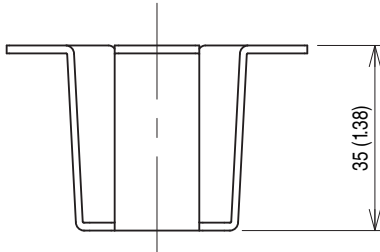
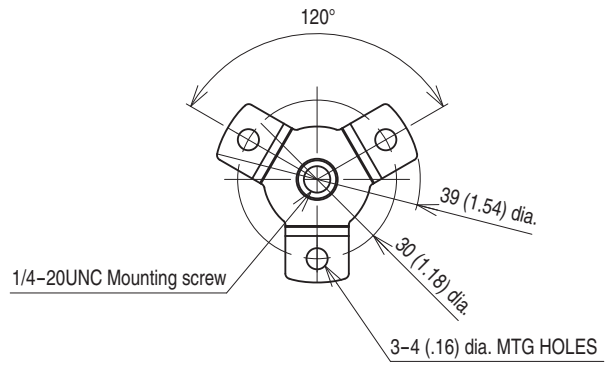
25g (0.88 oz) for type 2

EXTERNAL DIMENSIONS unit: mm (inch)

■ TYPE 1

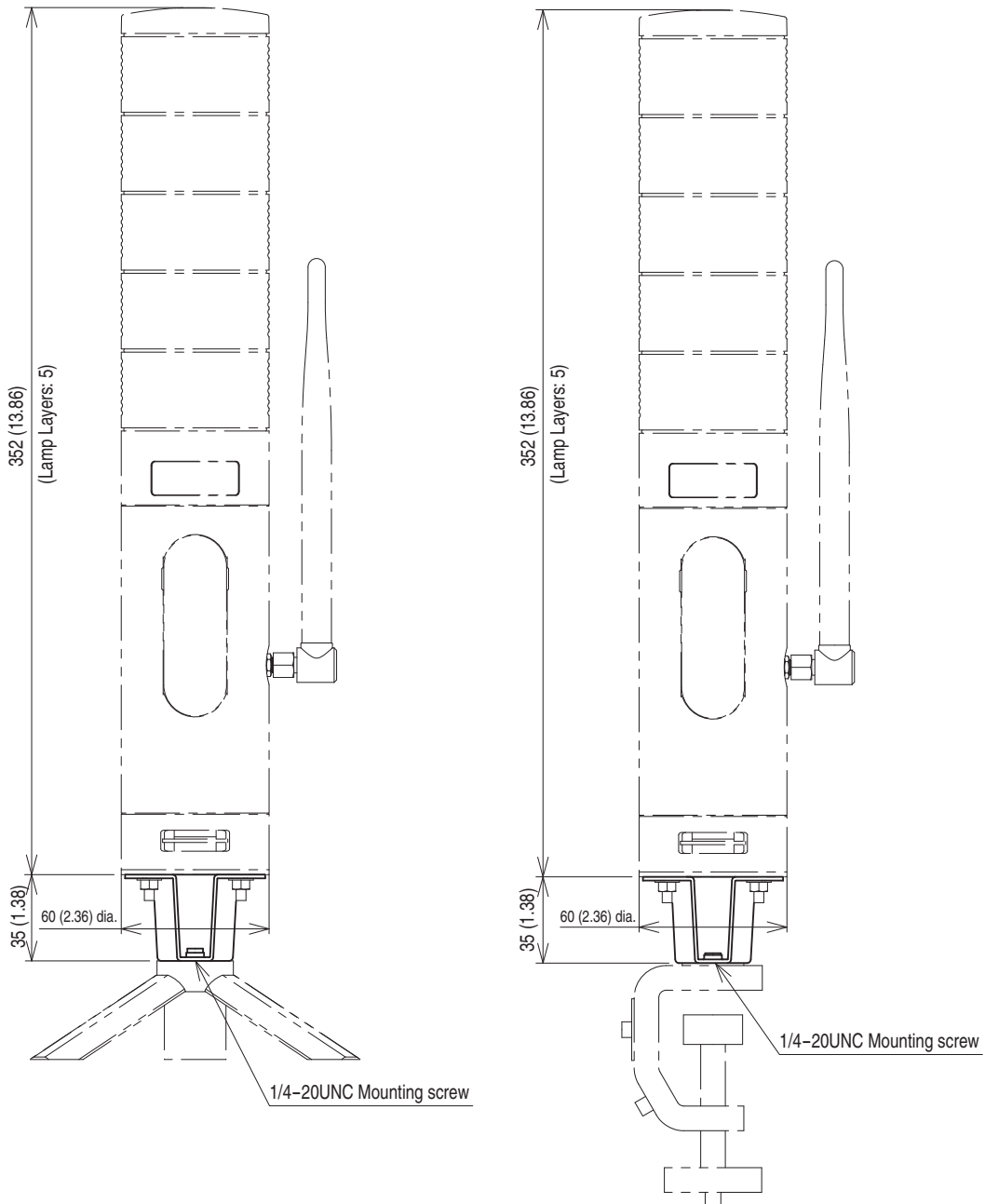


■ TYPE 2

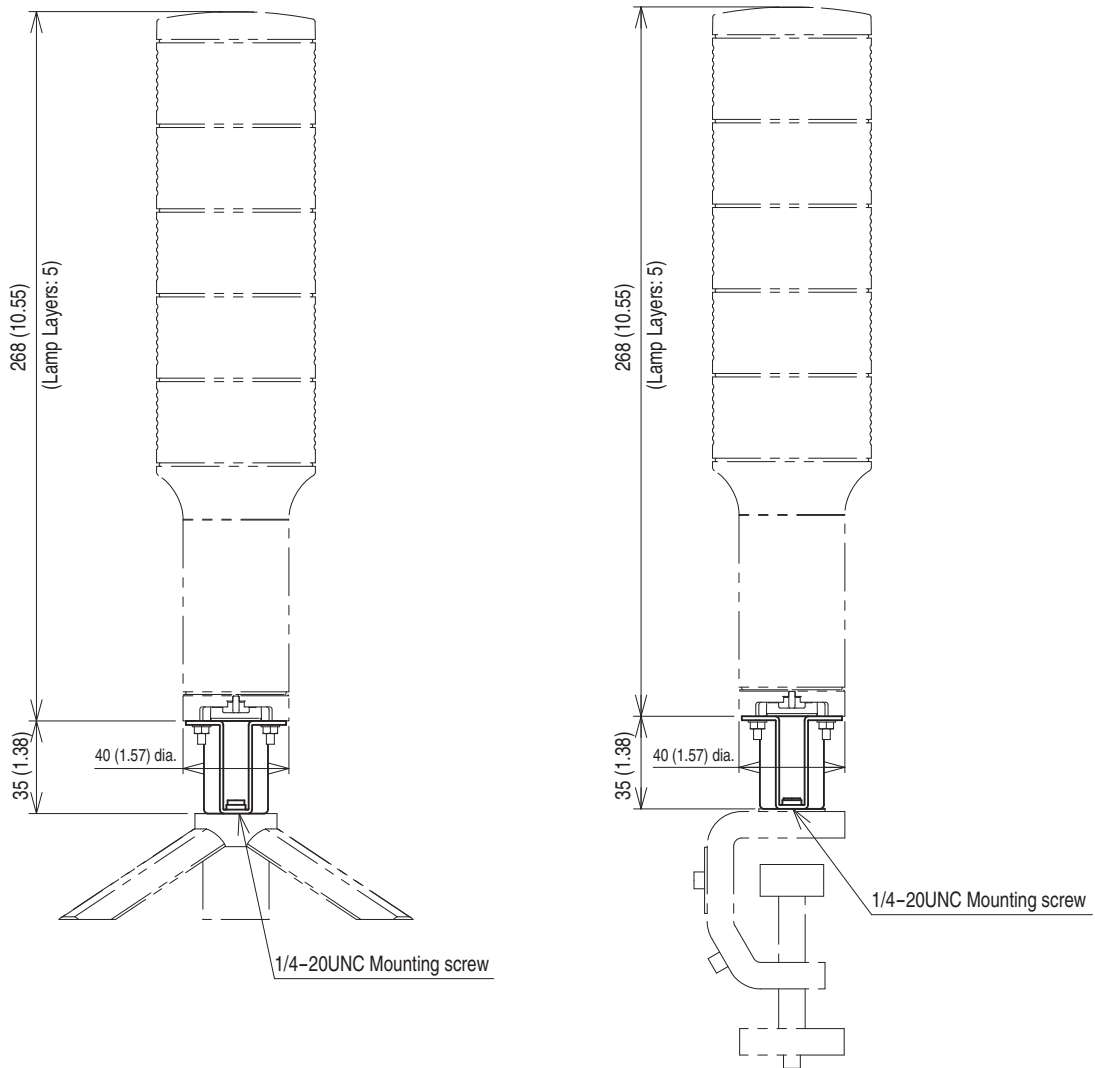


MOUNTING REQUIREMENTS unit: mm (inch)

■ TYPE 1



■ TYPE 2



Specifications are subject to change without notice.