

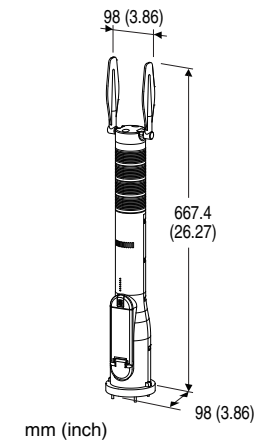
Tower Light Series

CC-Link TOWER LIGHT

(60 mm dia., 4 layers)

Functions & Features

- Lighting, blinking and buzzing are controllable with PLC.
- Bi-color lighting available in fourth layer
- Separable tension clamp terminal



MODEL: IT60RC-4[1][2][3][4][5]D[6]-[7][8]

ORDERING INFORMATION

- Code number: IT60RC-4[1][2][3][4][5]D[6]-[7][8]
Specify a code from below for each [1] through [8].
(e.g. IT60RC-4RYGBWD1-M2/Q)
- Specify the specification for option code /Q
(e.g. /C01)

LAMP LAYERS

4: 4 layers

[1] LAMP 1 COLOR

(1st layer from the top)

- R: Red
- Y: Amber
- G: Green
- B: Blue
- W: White

[2] LAMP 2 COLOR

(2nd layer from the top)

- R: Red
- Y: Amber
- G: Green
- B: Blue
- W: White

[3] LAMP 3 COLOR

(3rd layer from the top)

- R: Red
- Y: Amber
- G: Green
- B: Blue
- W: White

[4] LAMP 4 COLOR

(4th layer from the top)

- R: Red
- Y: Amber
- G: Green
- B: Blue
- W: White

[5] LAMP 5 COLOR

- R: Red
- Y: Amber
- G: Green
- B: Blue
- W: White
- N: None

MOUNTING

D: Direct mounting

[6] DESIGN TYPE

- 1: Type 1
- 2: Type 2 (with dummy antennae)
(refer to outline dimensions)

[7] POWER INPUT

AC Power

M2: 100 - 240 V AC (Operational voltage range 85 - 264 V, 47 - 66 Hz)

DC Power

R: 24 V DC
(Operational voltage range 24 V ±10 %, ripple 10 %p-p max.)

[8] OPTIONS

blank: none

/Q: With options (specify the specification)

SPECIFICATIONS OF OPTION: Q

COATING (For the detail, refer to M-System's web site.)

/C01: Silicone coating

/C02: Polyurethane coating

/C03: Rubber coating

GENERAL SPECIFICATIONS

Degree of protection: IP 65, vertical mounting only (bottom connectors excluded)

Connection

Power/Network: Separable tension clamp terminal

Applicable wire size: 0.2 to 1.5 mm², stripped length 10 mm

Recommended solderless terminal:

AI0,5-10WH 0.5mm² (Phoenix Contact)

AI0,75-10GY 0.75mm² (Phoenix Contact)

Housing material: Flame-resistant resin (white)

Lens: Flame-resistant resin (transparent)

Isolation: Network to power input to FE1 (Functional Earth)

DIP SW Setting: Frequency of lamp blinking and buzzing discontinuance, buzzing volume level and output at connection failed. (refer to the instruction manual)

Lamp: Red, amber, green, blue and white LEDs on/blinking (approx. 2 Hz, 10 Hz)

Indicator LEDs: Power, Run, Error, SD and RD (5 LEDs) indicate the module's operating conditions. (Refer to the instruction manual)

Buzzing: Approx. 3.3 kHz

Interval: continuous/intermittent (approx. 2 Hz, 10 Hz)

CC-Link COMMUNICATION

Protocol: CC-Link V1.10

Device type: Remote I/O station

Station No. setting: Rotary switch; 1 - 64

Required node: 1

Baud rate setting: Rotary switch

156kbps, 625kbps, 2.5Mbps, 5Mbps, 10Mbps

Cable for comm. link: Specified by Mitsubishi Electric

Terminating resistor: Built-in (Selected with the DIP SW)

INSTALLATION

Power consumption

•**AC:** Approx. 5 VA at 100 V

Approx. 7 VA at 200 V

Approx. 8 VA at 240 V

•**DC:** Approx. 3 W

Operating temperature: -10 to +55°C (14 to 131°F)

Operating humidity: 30 to 90 %RH (non-condensing)

Atmosphere: No corrosive gas

Mounting: Direct mounting

Mounting direction: Vertical

Weight: 1.4 kg (3.1 lb)

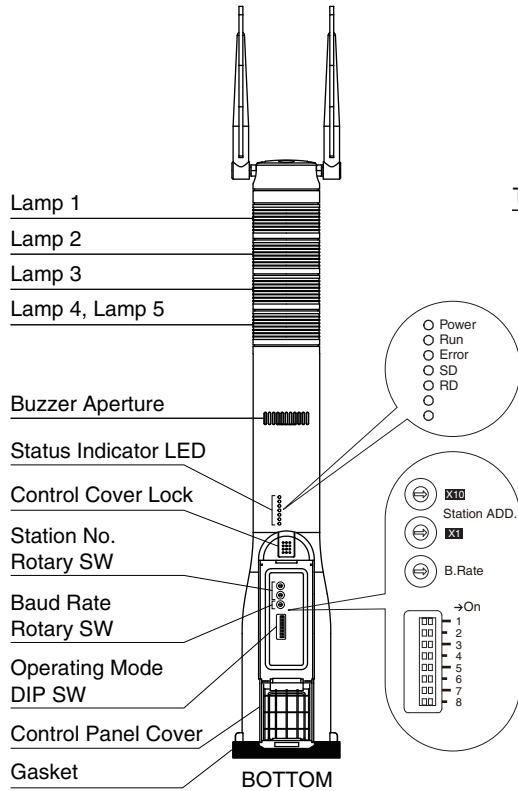
PERFORMANCE

Insulation resistance: ≥ 100 MΩ with 500 V DC

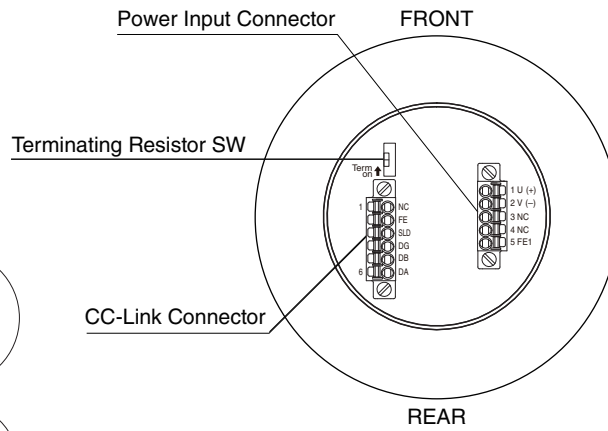
Dielectric strength: 1500 V AC @ 1 minute
(network to power to FE1)

EXTERNAL VIEW

FRONT VIEW

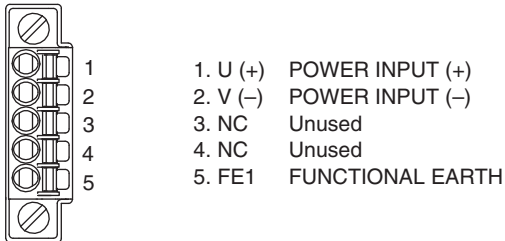


BOTTOM VIEW

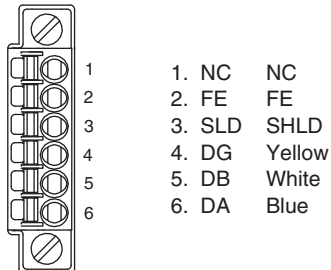


TERMINAL ASSIGNMENTS

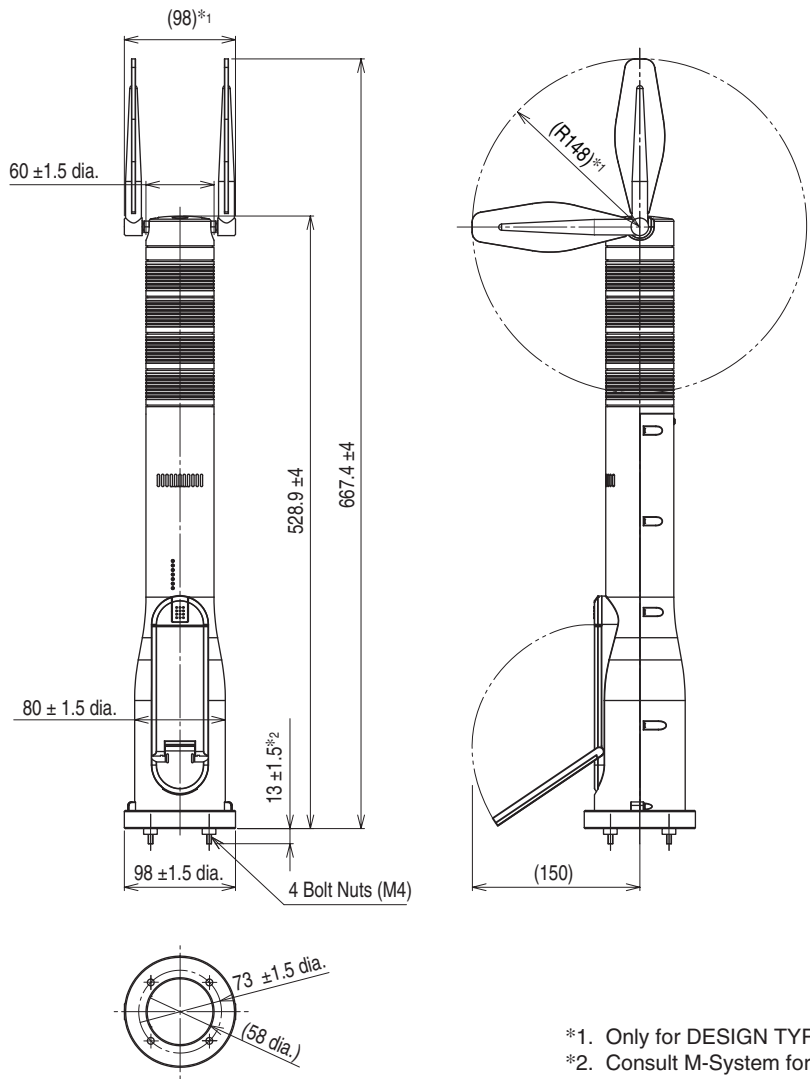
POWER CONNECTOR



CC-Link CONNECTOR

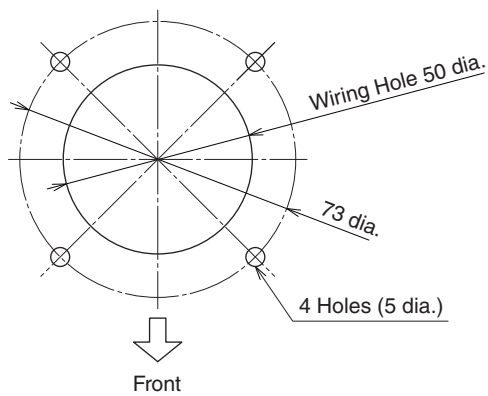


DIMENSIONS unit: mm



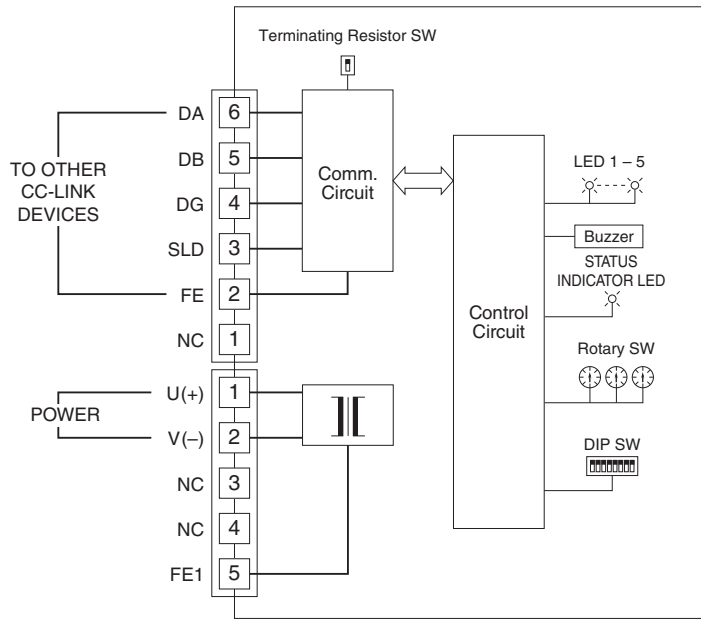
*1. Only for DESIGN TYPE option code 2.
 *2. Consult M-System for other bolt length.

MOUNTING REQUIREMENTS unit: mm



*Protect wires to prevent scratching them at the edge of the compartment.

SCHEMATIC CIRCUITRY & CONNECTION DIAGRAM



Specifications are subject to change without notice.