

## Tower Light Series

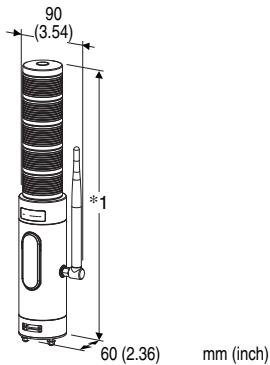
5: 5 layers

### WIRELESS TOWER LIGHT

(small size, 50 mm dia., Modbus/TCP (Ethernet), Modbus-RTU transparent 900 MHz band wireless device (parent), 1 - 5 layers)

#### Functions & Features

- Equipped with 900 MHz band wireless device (parent), which is RS-485 transparent type and enables Modbus-RTU protocol communication
- Converting protocols between 900 MHz band wireless Modbus-RTU (RS-485) and Ethernet Modbus/TCP, with gateway function
- Lighting, blinking and buzzer outputs possible with contact inputs, or with PC via Modbus/TCP
- Wireless device which incorporates a module conforming to FCC part 15 can be used only within the United States
- Non-directional antenna (360°horizontal)



\*1. 224 mm with 1 lamp, 256 mm with 2 lamps, 288 mm with 3 lamps, 320 mm with 4 lamps, 352 mm with 5 lamps  
(The illustration represents the unit with 5 layers.)

**MODEL: IT50SW5F-[1][2][3][4][5][6]D2U-[7][8]**

### ORDERING INFORMATION

• Code number: IT50SW5F-[1][2][3][4][5][6]D2U-[7][8]

Specify a code from below for each [1] through [8].

(e.g. IT50SW5F-5RYGBWD2U-R/Q)

• Use Ordering Information Sheet (No. ESU-2375) to select the same color for more than one layer.

• Specify the specification for option code /Q (e.g. /C01)

\* If you specify "no lamp", see the specification of IT60SW5F.

### [1] LAMP LAYERS

- 1: 1 layer
- 2: 2 layers
- 3: 3 layers
- 4: 4 layers

### [2] LAMP 1 COLOR

(1st layer from the top)

- R: Red
- Y: Amber
- G: Green
- B: Blue
- W: White

### [3] LAMP 2 COLOR

(2nd layer from the top)

- R: Red
- Y: Amber
- G: Green
- B: Blue
- W: White

N: None (not available when Lamp Layers selected are 2 - 5)

### [4] LAMP 3 COLOR

(3rd layer from the top)

- R: Red
- Y: Amber
- G: Green
- B: Blue
- W: White

N: None (not available when Lamp Layers selected are 3 - 5)

### [5] LAMP 4 COLOR

(4th layer from the top)

- R: Red
- Y: Amber
- G: Green
- B: Blue
- W: White

N: None (not available when Lamp Layers selected are 4 - 5)

### [6] LAMP 5 COLOR

(5th layer from the top.)

- R: Red
- Y: Amber
- G: Green
- B: Blue
- W: White

N: None (not available when Lamp Layers selected are 5)

\* Select "None" option for the layers other than the selected.

## MOUNTING

D: Direct mounting

## DESIGN TYPE

2: Type 2

(refer to outline dimensions)

## COUNTRY IN WHICH IT IS INTENDED FOR USE

U: The United States

## [7] POWER INPUT

### DC Power

R: 24 V DC

(Operational voltage range 24 V  $\pm$ 10 %, ripple 10 %p-p max.)

### PoE (Power on Ethernet)

N: 37 - 57 V DC (PoE: IEEE802.3.af/at approx. 5 W)

PoE injector should be supplied by user.

## [8] OPTIONS

blank: none

/Q: With options (specify the specification)

## SPECIFICATIONS OF OPTION: Q

### COATING (For the detail, refer to M-System's web site.)

/C01: Silicone coating

/C02: Polyurethane coating

/C03: Rubber coating

## RELATED PRODUCTS

For related products of wireless device, refer to M-System's web site.

- LAN cable (model: ITCA)
- Mounting Pole (model: ITPL)
- Mounting Adapter (model: ITAD1)

### Maintenance software

**Maintenance console:** MH920 Console International (model: MH920CI) (OKI)

(Maintenance software is downloadable at M-System's web site.)

## GENERAL SPECIFICATIONS

**Degree of protection:** IP 65, vertical mounting only (bottom connectors excluded)

### Connection

- Power: UL1007 AWG20
- Input: UL1007 AWG22
- Ethernet: RJ-45 Modular Jack
- Wireless communication: SMA coaxial connector
- Maintenance: Mini USB type B female connector

**Housing material:** Flame-resistant resin

**Lens:** Flame-resistant resin (transparent)

### Isolation

- DC power: Power input to discrete input to Ethernet or FE1 to antenna connector

- PoE: Discrete input to Ethernet (PoE) to antenna connector

**DIP SW Setting:** Frequency of lamp blinking and buzzing discontinuance, buzzing volume level, output at connection failed and IP address (refer to the instruction manual)

**Lamp:** Red, amber, green, blue and white LEDs on/blinking (approx. 2 Hz, 10 Hz)

**Indicator LED:** Power, Run and PoE (if selected)

For details, refer to the instruction manual.

**Buzzing:** Approx. 3.3 kHz

**Interval:** continuous/intermittent (approx. 2 Hz, 10 Hz)

## COMMUNICATION

### ■ Common spec.

Modbus protocol

**Protocol:** Modbus/TCP

**Data:** RTU (Binary)

**Port No.:** 502

**Max. number of socket connections:** 8

**IP address:** 192.168.0.1

(factory setting; can be changed via web browser)

### ■ Ethernet

Communication Standard: IEEE 802.3u

Transmission: 10BASE-T, 100BASE-TX

Baud rate: 10/100 Mbps (Auto Negotiation function)

Transmission media: 10BASE-T (STP, Category 5), 100BASE-TX (STP, Category 5e)

Max. length of fieldbus segment: 100 meters

Ethernet indicator LED: Link, Link100

## WIRELESS SPECIFICATIONS

**Communication Standard:** IEEE 802.15.4g

**Frequency:** 900MHz band (902 - 928 MHz)

**Max. Transmission power:** 20 mW

**Bandwidth:** 400 kHz

**Modulation:** GFSK

**Baud rate:** Max. 100 kbps

**Channels:** 1 to 43 ch

**Security:** 128bit AES

**Indicator LED:** 920Run, 920Link

**Number of child devices:** Max. 100

**Protocol:** Modbus-RTU

**Communication module:** Coordinator module incorporated (Oki Electric Industry Co., Ltd. )

**Radio parameters setting:** by Web browser

**Max. transmission distance (optical):** Approx. 1 km

## INPUT SPECIFICATIONS

■ **Discrete Input:** Dry contact, open collector NPN

**Input resistance:** Approx. 4.4 k $\Omega$

**Common:** Negative common NPN

**ON level:**  $\leq 5$  V /  $\geq 3.5$  mA (Input - COM)

**OFF level:**  $\geq 18$  V DC /  $\leq 1$  mA (Input - COM)

**Input current:**  $\leq 5.5$  mA per point @ 24 V DC

## INSTALLATION

**Max. current consumption**

•DC: Approx. 5.5 W (24 V DC)

•PoE: Approx. 5 W

**Operating temperature:** -10 to +55°C (14 to 131°F)

**Operating humidity:** 10 to 90 %RH (non-condensing)

**Atmosphere:** No corrosive gas or heavy dust

**Mounting:** Direct mounting

**Mounting direction:** Vertical

**Weight:** 700 g (1.5 lb)

## PERFORMANCE

**Insulation resistance:**  $\geq 100$  M $\Omega$  with 500 V DC

**Dielectric strength**

DC: 1500 V AC @ 1 minute

(Power input to discrete input to Ethernet or FE1 to antenna connector)

PoE: 1500 V AC @ 1 minute

(Discrete input to Ethernet (PoE) to antenna connector)

## STANDARDS & APPROVALS

Module conforming to FCC Part 15 incorporated

**WEB BROWSER SETTING**

With Web browser, settings shown below are available.  
Refer to the operating manual (EM-2431-B) for detailed settings.

**■ DEVICE INFORMATION SETTING**

ITEM	SETTING RANGE	DEFAULT
User name	Up to any 32 characters	admin
Password	Up to any 32 characters	admin

**■ TCP / IP SETTING**

ITEM	SETTING RANGE	DEFAULT
IP address	1.0.0.0 – 223.255.255.255	192.168.0.1
Subnet mask	224.0.0.0 – 255.255.255.255	255.255.255.0
Default gateway	0.0.0.0 – 255.255.255.255	0.0.0.0

**■ MODBUS / TCP SETTING**

ITEM	SETTING RANGE	DEFAULT
Port	1 – 65535	502
Modbus exception response	Not return 06 (BUSY), 0B (ERROR) / Return 06 (BUSY), 0B (ERROR)	Return 06 (BUSY), 0B (ERROR)
Communication timeout	0.0 – 3200.0 (sec.)	60.0 (sec.)
Run lamp timeout	0.0 – 3200.0 (sec.)	5.0 (sec.)

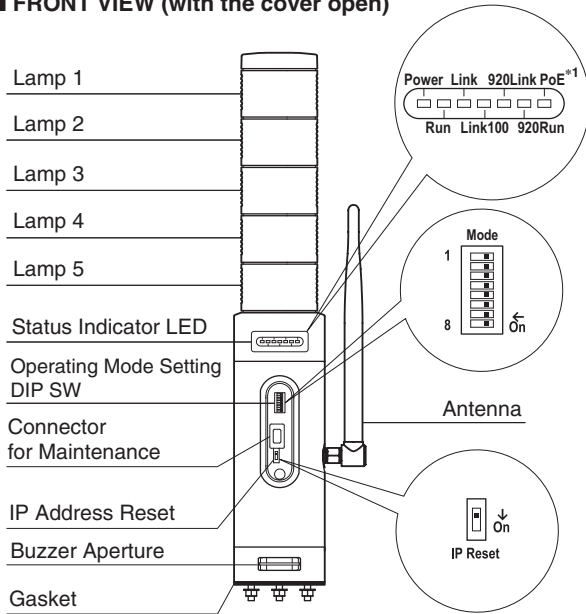
**■ WIRELESS SETTING**

ITEM	SETTING RANGE	DEFAULT
PAN ID (group number)	0000 – FFFE (hexadecimal, 4 digits)	0000
Radio channel number	1 – 43ch	1ch
Network name	English one-byte characters within 16 characters (one-byte space, “-”, “_”, “.”, “@” are usable.)	MH920
Encryption key	0000...0 – FFFF...F (hexadecimal, 32 digits)	0000...0
Prefix	2000:0000:0000:0000 – 3FFF:FFFF:FFFF:FFFF	2000:0000:0000:0000
Transmitter power output	0.16 mW / 1 mW / 20 mW	20 mW
Device type in a network, Number of devices in a network	Child (fixed), 1 to 30 devices / Child (fixed), 31 to 60 devices / Child (fixed), 61 to 100 devices / Child (fixed) + child (moving)	Child (fixed), 1 to 30 devices
Set network quality	Standard (recommended) / Frequency of route switching and delay (higher) / Frequency of route switching and delay (highest)	Standard (recommended)
Network join mode	V3-compatible mode / Fast join mode	V3-compatible mode
Packet filtering	None / Yes (polling type)	Yes (polling type)
Filter timeout on polling	1.0 – 60.0 (sec.)	4.0 (sec.)
Setting mode of short address	Range mode: 1 device (max. multi drop number) Range mode: 1 to 4 devices (max. multi drop number) Range mode: 1 to 8 devices (max. multi drop number) Range mode: 1 to 16 devices (max. multi drop number) Range mode: 1 to 31 devices (max. multi drop number) List mode	List mode
920Run timeout	0.0 – 3200.0 (sec.)	5.0 (sec.)
Retry times before route switching	Once / Twice / Three times	Three times
Short address list setting	Short address	—
MAC address list setting	MAC address	—
Connection refusal list setting	MAC address	—

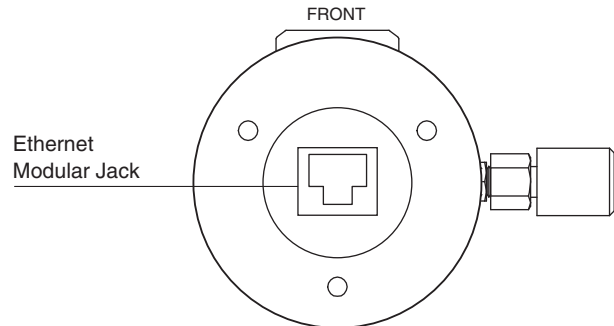
Note: For version confirmation of communication module, refer to the operation manual (EM-2431-B).

## EXTERNAL VIEW

### FRONT VIEW (with the cover open)



### BOTTOM VIEW



\*1. Equipped when PoE is selected

## MODBUS FUNCTION CODES & SUPPORTED CODES

Modbus function codes are shown below.

### DATA AND CONTROL FUNCTION

CODE	NAME	
01	Read Coil Status	Digital output from the slave (read / write)
02	Read Input Status	Status of digital inputs to the slave (read only)
03	Read Holding Registers	General purpose register within the slave (read / write)
04	Read Input Registers	Collected data from the field by the slave (read only)
05	Force Single Coil	Digital output from the slave (read / write)
06	Preset Single Register	General purpose register within the slave (read / write)
15	Force Multiple Coils	Digital output from the slave (read / write)
16	Preset Multiple Registers	General purpose register within the slave (read / write)

### EXCEPTION CODES

CODE	NAME	
01	Illegal Function	Unsupported function code
02	Illegal Data Address	Unsupported address
06	Slave Device Busy	Full request queue
11	Gateway Target Device Failed To Respond	Error response from 900 MHz band wireless device (child) or time-out

Note: When 900 MHz band wireless device (child) returns exception codes other than the above, the codes are transferred directly to the host.

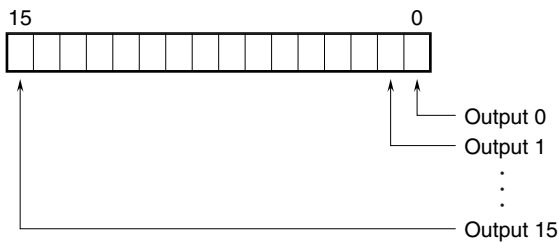
## MODBUS I/O ASSIGNMENT

### MODBUS NODE ADDRESS 255

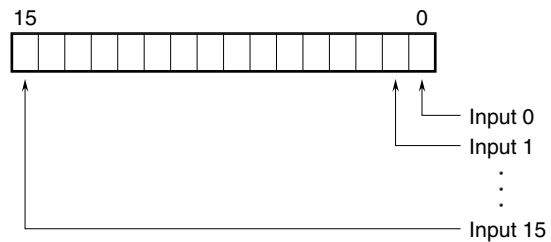
By sending Modbus query of node address 255 from Modbus/TCP master device connected to the unit, it is possible to perform I/O operations for the unit's lamps and buzzers. The unit sends a response to Modbus/TCP master device that sent the query.

	ADDRESS	DATA TYPE	DATA
Coils (0X)	1 – 16		Digital Output (lamp, buzzer)
	17 – 32		Reserved (unused)
Inputs (1X)	1 – 16		Digital Input (lamp, buzzer)
Input Registers (3X)	----	----	Unused
Holding Registers (4X)	----	----	Unused

### OUTPUT DATA



### INPUT DATA



Output 0	Lamp 1	0: Off, 1: On
Output 1	Lamp 2	0: Off, 1: On
Output 2	Lamp 3	0: Off, 1: On
Output 3	Lamp 4	0: Off, 1: On
Output 4	Lamp 5	0: Off, 1: On
Output 5	Buzzer	0: Off, 1: Continuous
Output 6	–	–
Output 7	–	–
Output 8	Lamp 1	0: Off, 1: Blinking
Output 9	Lamp 2	0: Off, 1: Blinking
Output 10	Lamp 3	0: Off, 1: Blinking
Output 11	Lamp 4	0: Off, 1: Blinking
Output 12	Lamp 5	0: Off, 1: Blinking
Output 13	Buzzer	0: Off, 1: Intermittent
Output 14	–	–
Output 15	–	–

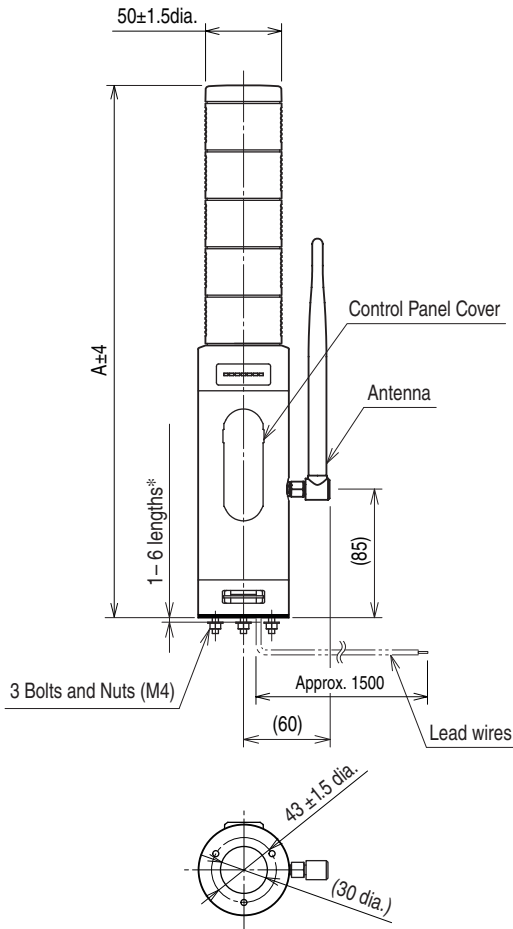
Input 0	Lamp 1	0: Off, 1: On
Input 1	Lamp 2	0: Off, 1: On
Input 2	Lamp 3	0: Off, 1: On
Input 3	Lamp 4	0: Off, 1: On
Input 4	Lamp 5	0: Off, 1: On
Input 5	Buzzer	0: Off, 1: Continuous
Input 6	–	–
Input 7	–	–
Input 8	Lamp 1	0: Off, 1: Blinking
Input 9	Lamp 2	0: Off, 1: Blinking
Input 10	Lamp 3	0: Off, 1: Blinking
Input 11	Lamp 4	0: Off, 1: Blinking
Input 12	Lamp 5	0: Off, 1: Blinking
Input 13	Buzzer	0: Off, 1: Intermittent
Input 14	–	–
Input 15	–	–

Note: If "On" (Continuous) and "Blinking" (Intermittent) are set simultaneously for a single lamp (buzzer), "Blinking" is disabled.

### MODBUS NODE ADDRESSES 1 – 247

When Modbus query of Modbus node address 1 to 247 is sent from Modbus/TCP master device connected to the unit, it is transferred to a wireless device (child) that is connected to the unit via 900 MHz band wireless communication, then a response from the wireless device (child) is sent to Modbus/TCP master device that sent the query.

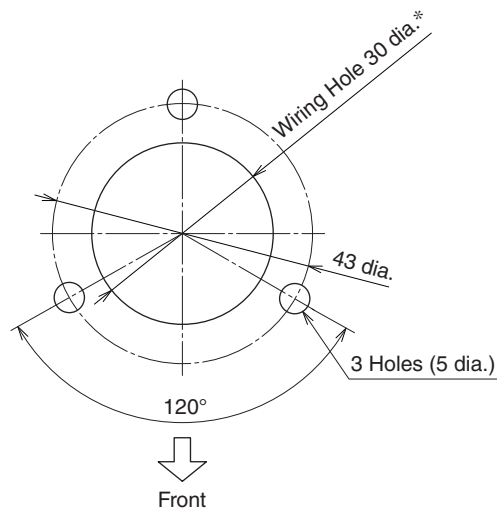
## DIMENSIONS unit: mm



Lamp Layers	A
1	224
2	256
3	288
4	320
5	352

\* Consult M-System for other bolt length.

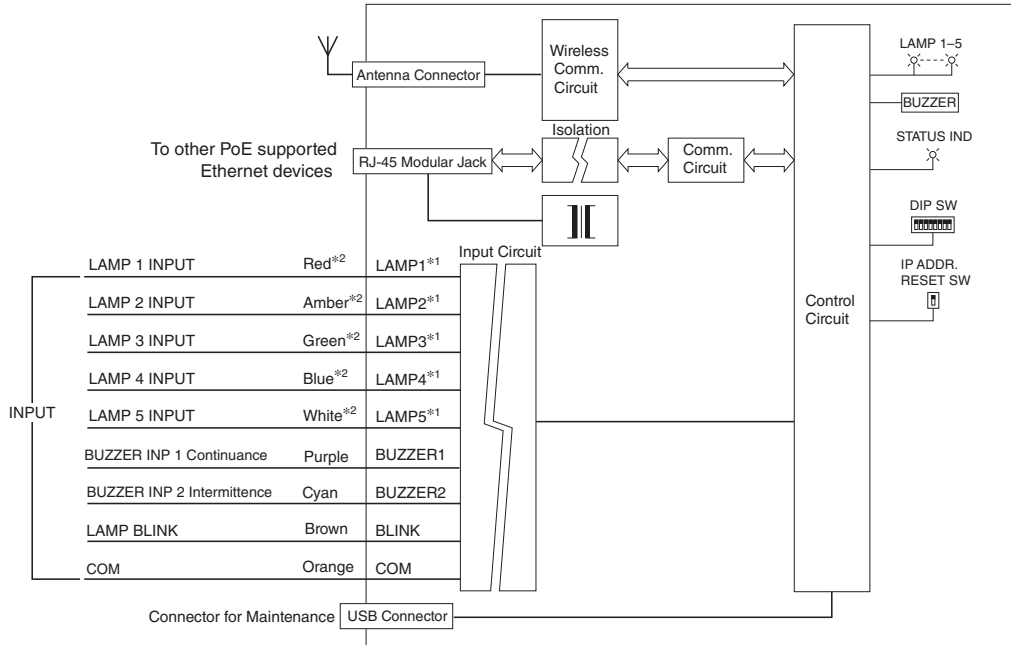
## MOUNTING REQUIREMENTS unit: mm



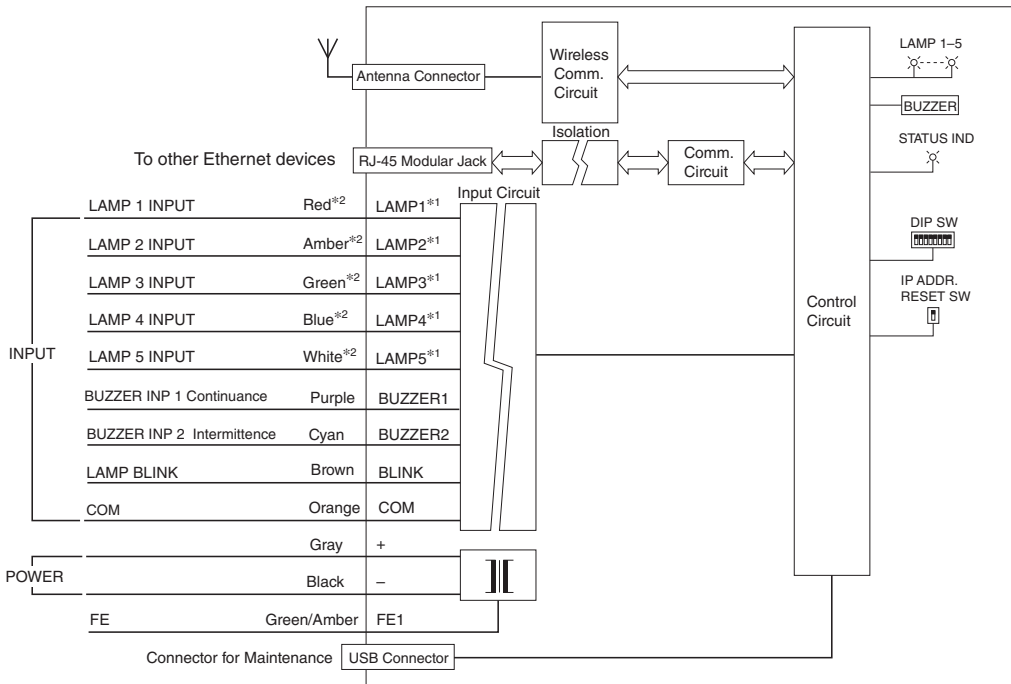
\* Protect wires to prevent scratching them at the edge of the compartment.

## SCHEMATIC CIRCUITRY & CONNECTION DIAGRAM

### ■ PoE SUPPLY



### ■ DC POWER SUPPLY



\*1. Example of 5 layers in order: red, amber, green, blue and white.

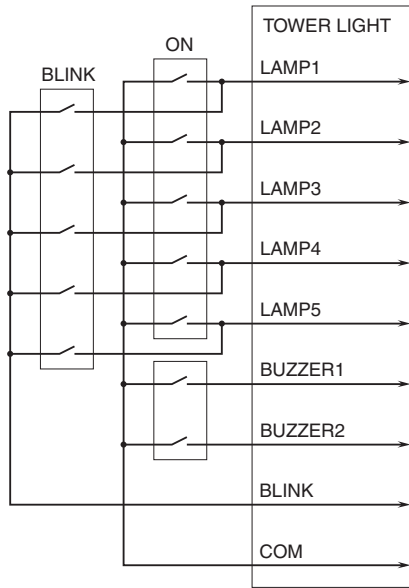
Lamp and wire color are the same.

\*2. When selecting the same color for more than one layer, cable colors comply with ordering information sheet.

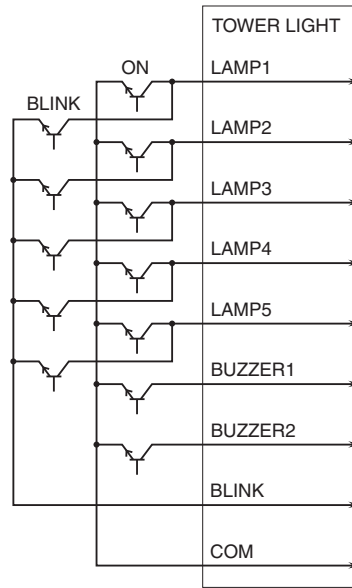


## • WIRING TO INPUT SIGNAL

Contact input e.g.



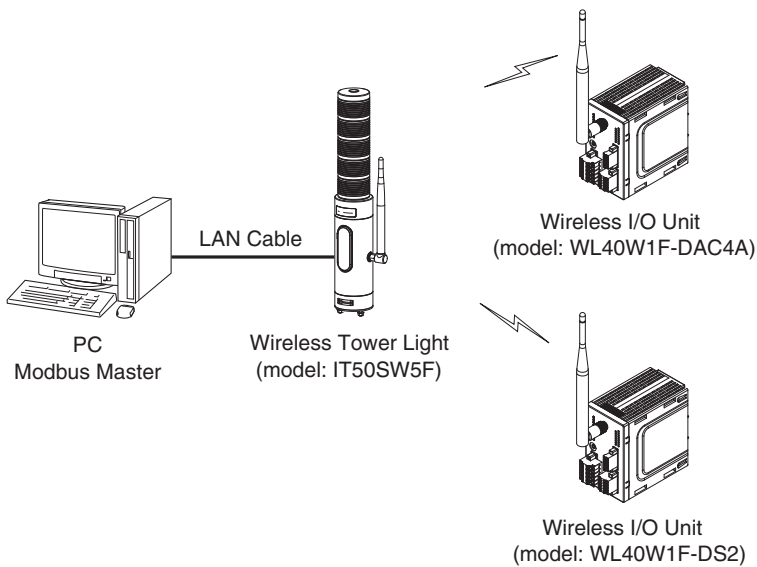
NPN input e.g.



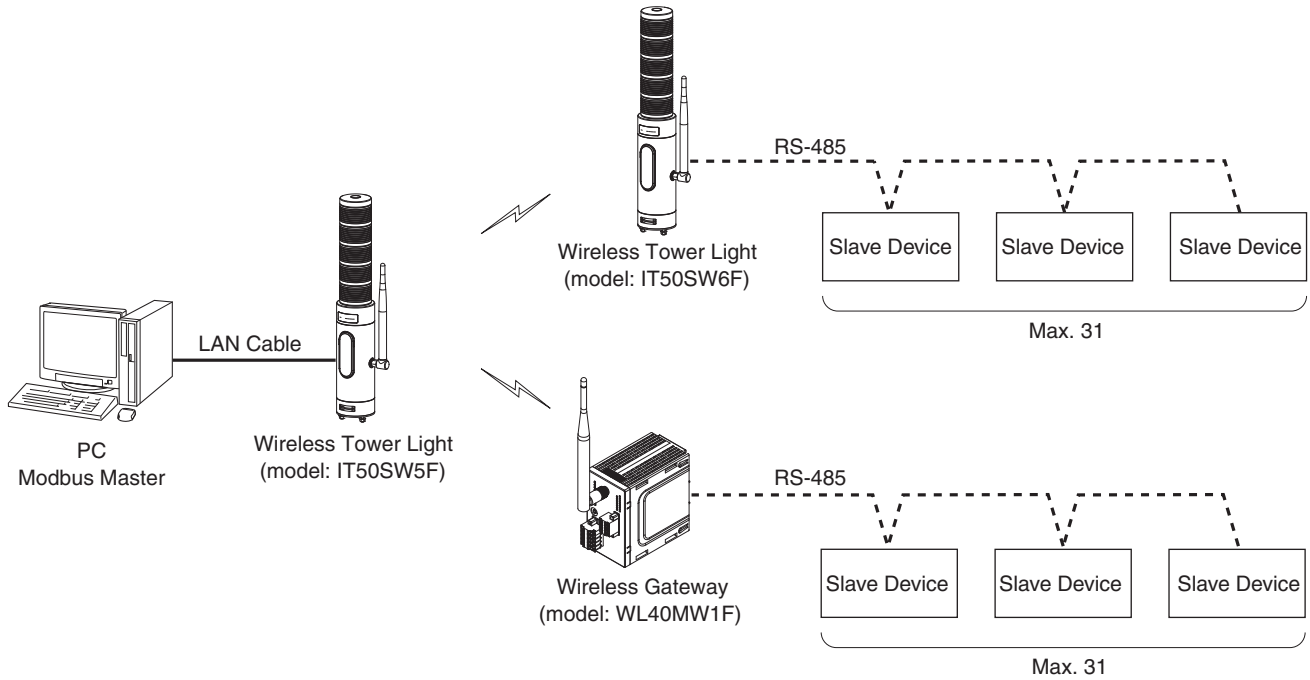
Note: If "On" and "Blink" are set simultaneously for a single lamp, "Blink" is disabled.  
At this time, if other lamps are set to "Blink", they are also affected and work in the same manner.

## SYSTEM CONFIGURATION EXAMPLES

■ Modbus Master (PC side) communicates with child devices via wireless connection using Modbus/TCP and RTU protocols.



■ Modbus Master (PC side) communicates with Slave Devices in multi drop connection on the wired side (RS-485) via wireless connection using Modbus/TCP and RTU protocols.



Specifications are subject to change without notice.