

## Tower Light Series

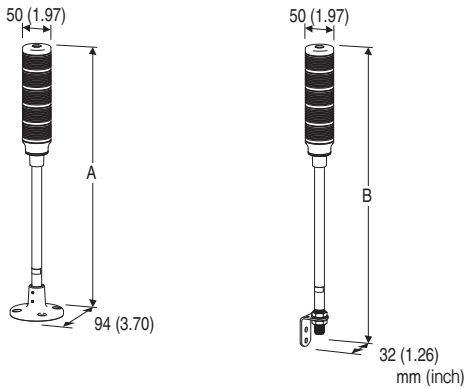
### DISCRETE INPUT TOWER LIGHT

(super-small size, 50 mm dia., 1 - 5 layers, pole mounting)

#### Functions & Features

- Discrete input tower light
- Lighting is controllable with PLC.

■ CIRCULAR BASE MOUNT TYPE    ■ L-SHAPED MOUNT TYPE



Lamp Layers	A	B
1	362.5 (14.27)	395.5 (15.57)
2	394.5 (15.53)	427.5 (16.83)
3	426.5 (16.79)	459.5 (18.09)
4	458.5 (18.05)	491.5 (19.35)
5	490.5 (19.31)	523.5 (20.61)



**MODEL: IT50SA3-[1][2][3][4][5][6][7]-AR[8]**

#### ORDERING INFORMATION

- Code number: IT50SA3-[1][2][3][4][5][6][7]-AR[8]  
Specify a code from below for each of [1] through [8].  
(e.g. IT50SA3-5RYGBWC-AR/Q)
- Specify the specification for option code /Q  
(e.g. /C01)

#### [1] LAMP LAYERS

- 1: 1 layer
- 2: 2 layers
- 3: 3 layers
- 4: 4 layers
- 5: 5 layers

#### [2] LAMP 1 COLOR

(1st layer from the top)

- R: Red
- Y: Amber
- G: Green
- B: Blue
- W: White

#### [3] LAMP 2 COLOR

(2nd layer from the top)

- R: Red
- Y: Amber
- G: Green
- B: Blue
- W: White

N: None (not available when Lamp Layers selected are 2 - 5)

#### [4] LAMP 3 COLOR

(3rd layer from the top)

- R: Red
- Y: Amber
- G: Green
- B: Blue
- W: White

N: None (not available when Lamp Layers selected are 3 - 5)

#### [5] LAMP 4 COLOR

(4th layer from the top)

- R: Red
- Y: Amber
- G: Green
- B: Blue
- W: White

N: None (not available when Lamp Layers selected are 4 - 5)

#### [6] LAMP 5 COLOR

(5th layer from the top.)

- R: Red
- Y: Amber
- G: Green
- B: Blue
- W: White

N: None (not available when Lamp Layers selected are 5)

\* The selection of the same color for more than one layer is not available.

\* Select "None" option for the layers other than the selected.

**[7] MOUNTING**

C: Circular base mount  
L: L-shaped mount

**POWER INPUT****Universal**

AR: 24 V AC (Operational voltage range 24 V  $\pm$ 10 %, 47 - 66 Hz)  
24 V DC (Operational voltage range 24 V  $\pm$ 10 %, ripple 10 %p-p max.)

**[8] OPTIONS**

blank: none

/Q: With options (specify the specification)

**SPECIFICATIONS OF OPTION: Q**

**COATING (For the detail, refer to M-System's web site.)**

/C01: Silicone coating

/C02: Polyurethane coating

/C03: Rubber coating

**GENERAL SPECIFICATIONS****Degree of protection:**

- Circular base mount: IP65
- L-shaped mount: IP13

(Vertical mounting only, bottom excluded)

**Connection:** UL1007 AWG22

**Housing material:** Flame-resistant resin

**Lens:** Flame-resistant resin (transparent)

**Lamp:** Red, amber, green, blue and white LEDs

**INPUT SPECIFICATIONS**

**Discrete Input:** Dry contact, open collector PNP or NPN

**Rated input voltage:**

24 V AC (Operational voltage range 24 V  $\pm$ 10 %, 47 - 66 Hz)

24 V DC (Operational voltage range 24 V  $\pm$ 10 %, ripple 10 %p-p max.)

Input current:  $\leq$  14 mA/point (@24 V DC)

Input resistance: Approx. 1000  $\Omega$

**INSTALLATION****Power consumption**

•AC:  $\leq$  2.4 VA 24 V AC

•DC:  $\leq$  2.2 W 24 V DC

**Operating temperature:** -10 to +55°C (14 to 131°F)

**Operating humidity:** 30 to 90 %RH (non-condensing)

**Atmosphere:** No corrosive gas

**Mounting:** Pole mounting (in vertical direction only)

**Weight**

**Circular base mount:** 700 g (1.54 lb)

**L-shaped mount:** 650 g (1.43 lb)

**STANDARDS & APPROVALS**

**EU conformity:**

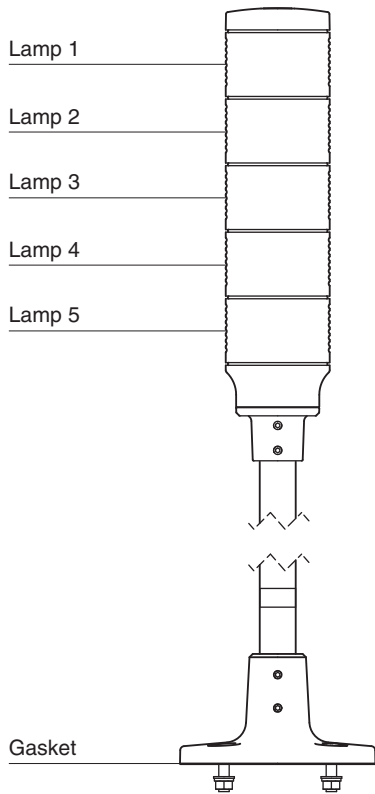
EMC Directive

EN 60947-5-1

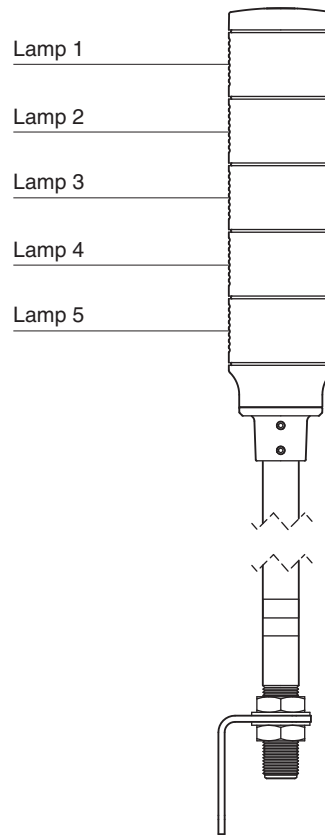
RoHS Directive

**EXTERNAL VIEW**

■ CIRCULAR BASE MOUNT TYPE

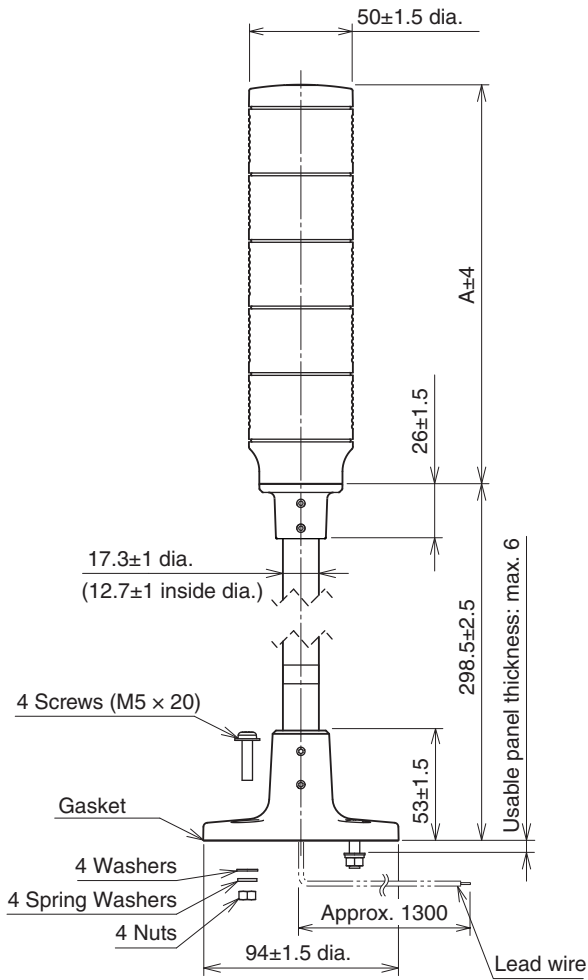


■ L-SHAPED MOUNT TYPE



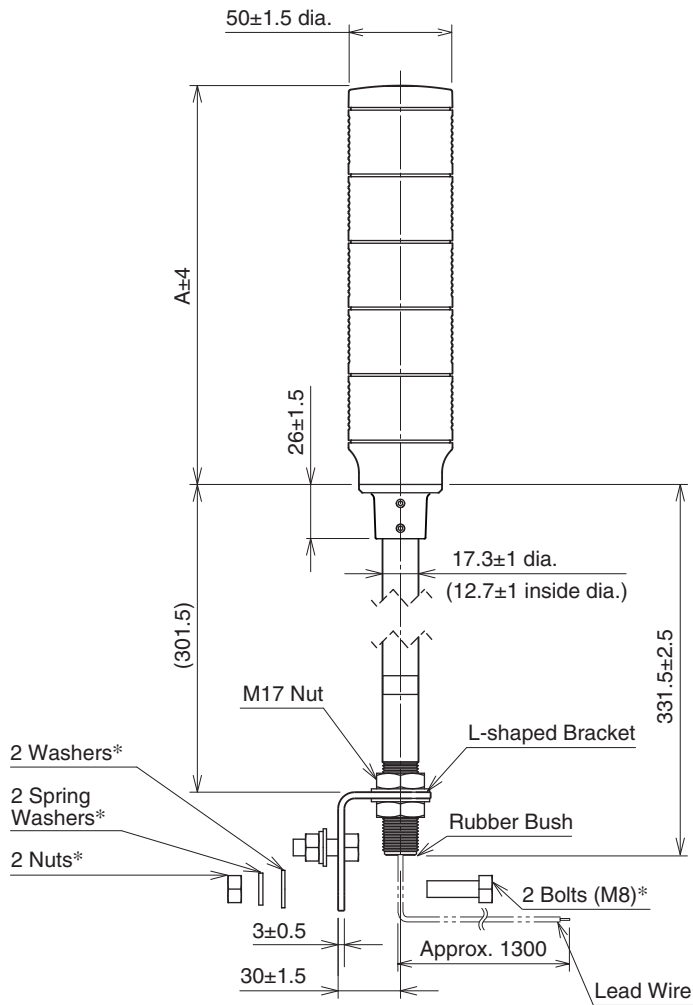
## EXTERNAL DIMENSIONS unit: mm

### ■ CIRCULAR BASE MOUNT TYPE



Lamp Layers	A
1	64
2	96
3	128
4	160
5	192

## ■ L-SHAPED MOUNT TYPE

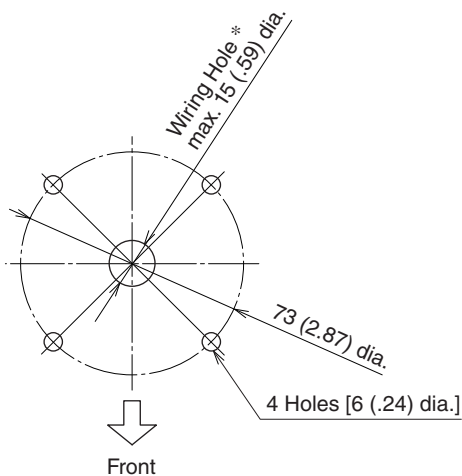


Lamp Layers	A
1	64
2	96
3	128
4	160
5	192

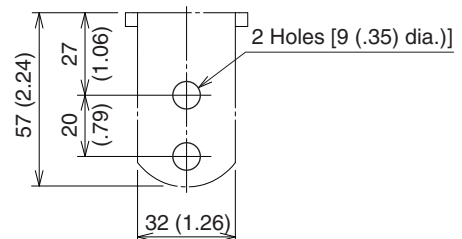
\* Not included with product package.

## MOUNTING REQUIREMENTS unit: mm [inch]

### ■ CIRCULAR BASE MOUNT TYPE

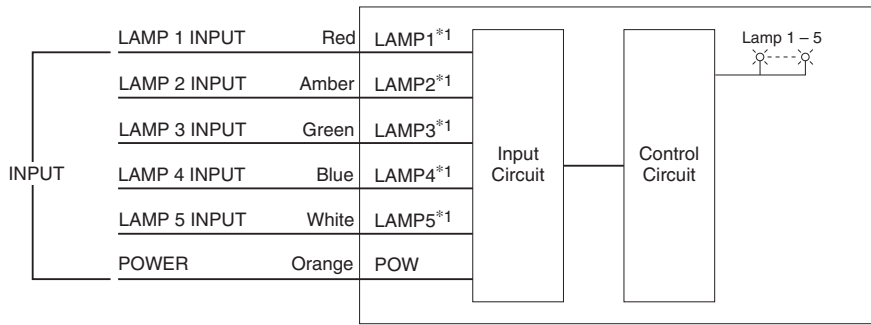


### ■ L-SHAPED MOUNT TYPE



\* Protect wires to prevent scratching them on edges.  
Determine the hole diameter according to the size of the wires and connectors.

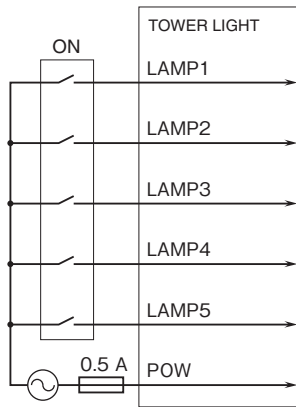
## SCHEMATIC CIRCUITRY & CONNECTION DIAGRAM



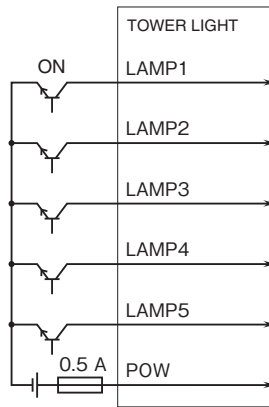
\*1. Example of 5 layers in order: red, amber, green, blue and white.  
Lamp and wire colors are the same.

### ■ WIRING TO INPUT SIGNAL

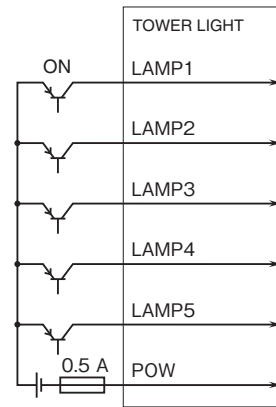
• Contact input e.g.



• NPN input e.g.



• PNP input e.g.



Note 1: NPN input and PNP input are available only for 24 V DC.



Specifications are subject to change without notice.