

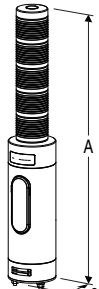
## Tower Light Series

### CC-Link TOWER LIGHT

(small size, 40 mm dia., 1 - 5 layers)

#### Functions & Features

- Lighting, blinking and buzzing are controllable with PLC.
- Separable tension clamp terminal



Lamp Layers	A
1	224 (8.82)
2	256 (10.08)
3	288 (11.34)
4	320 (12.60)
5	352 (13.86)

**MODEL: IT40SRC-[1][2][3][4][5][6]D1-[7][8]**

### ORDERING INFORMATION

- Code number: IT40SRC-[1][2][3][4][5][6]D1-[7][8]  
Specify a code from below for each [1] through [8].  
(e.g. IT40SRC-5RYGBWD1-M2/Q)
- Specify the specification for option code /Q  
(e.g. /C01)

#### [1] LAMP LAYERS

- 1: 1 layer
- 2: 2 layers
- 3: 3 layers
- 4: 4 layers
- 5: 5 layers

#### [2] LAMP 1 COLOR

(1st layer from the top)

- R: Red
- Y: Amber
- G: Green
- B: Blue
- W: White

#### [3] LAMP 2 COLOR

(2nd layer from the top)

- R: Red
- Y: Amber
- G: Green
- B: Blue
- W: White
- N: None (not available when Lamp Layers selected are 2 - 5)

#### [4] LAMP 3 COLOR

(3rd layer from the top)

- R: Red
- Y: Amber
- G: Green
- B: Blue
- W: White
- N: None (not available when Lamp Layers selected are 3 - 5)

#### [5] LAMP 4 COLOR

(4th layer from the top)

- R: Red
- Y: Amber
- G: Green
- B: Blue
- W: White
- N: None (not available when Lamp Layers selected are 4 - 5)

#### [6] LAMP 5 COLOR

- R: Red
- Y: Amber
- G: Green
- B: Blue
- W: White
- N: None (not available when Lamp Layers selected are 5)

\* Select "None" option for the layers other than the selected.

#### MOUNTING

- D: Direct mounting

#### DESIGN TYPE

- 1: Type 1

## [7] POWER INPUT

### AC Power

**M2:** 100 – 240 V AC (Operational voltage range 85 – 264 V, 47 – 66 Hz)

### DC Power

**R:** 24 V DC

(Operational voltage range 24 V ±10 %, ripple 10 %p-p max.)

## [8] OPTIONS

**blank:** none

**/Q:** With options (specify the specification)

## SPECIFICATIONS OF OPTION: Q

**COATING (For the detail, refer to M-System's web site.)**

**/C01:** Silicone coating

**/C02:** Polyurethane coating

**/C03:** Rubber coating

## RELATED PRODUCTS

- Mounting Pole (model: ITPL)
- Mounting Adapter (model: ITAD1)

## GENERAL SPECIFICATIONS

**Degree of protection:** IP 65, vertical mounting only (bottom connectors excluded)

### Connection

**Power input:** UL1007 AWG20

**CC-Link:** Separable tension clamp terminal

**Applicable wire size:** 0.2 to 1.5 mm<sup>2</sup>, stripped length 10 mm

### Recommended solderless terminal:

A10,5-10WH 0.5mm<sup>2</sup> (Phoenix Contact)

A10,75-10GY 0.75mm<sup>2</sup> (Phoenix Contact)

**Housing material:** Flame-resistant resin

**Lens:** Flame-resistant resin (transparent)

**Isolation:** Network to power input to FE1 (Functional Earth)

**DIP SW Setting:** Frequency of lamp blinking and buzzing discontinuance, buzzing volume level and output at connection failed. (refer to the instruction manual)

**Lamp:** Red, amber, green, blue and white LEDs on/blinking (approx. 2 Hz, 10 Hz)

**Indicator LEDs:** Power, Run, Error, SD and RD (5 LEDs) indicate the module's operating conditions. (Refer to the instruction manual)

**Buzzing:** Approx. 3.3 kHz

**Interval:** continuous/intermittent (approx. 2 Hz, 10 Hz)

## CC-Link COMMUNICATION

**Protocol:** CC-Link V1.10

**Device type:** Remote I/O station

**Station No. setting:** Rotary switch; 1 – 64

**Required node:** 1

**Baud rate setting:** Rotary switch

156kbps, 625kbps, 2.5Mbps, 5Mbps, 10Mbps

**Cable for comm. link:** Specified by Mitsubishi Electric

**Terminating resistor:** Built-in (Selected with the DIP SW)

## INSTALLATION

### Power consumption

• **AC:** Approx. 5.5 VA at 100 V

Approx. 7 VA at 200 V

Approx. 8 VA at 240 V

• **DC:** Approx. 3 W

**Operating temperature:** -10 to +55°C (14 to 131°F)

**Operating humidity:** 30 to 90 %RH (non-condensing)

**Atmosphere:** No corrosive gas

**Mounting:** Direct mounting

**Mounting direction:** Vertical

**Weight:** Approx. 650 g (1.43 lb)

## PERFORMANCE

**Insulation resistance:** ≥ 100 MΩ with 500 V DC

**Dielectric strength:** 1500 V AC @ 1 minute (network to power to FE1)

## STANDARDS & APPROVALS

### EU conformity:

EMC Directive

EN 60947-5-1

Low Voltage Directive

EN 60947-5-1

24 V DC power

Installation Category III

Pollution Degree 3

100 – 240 V AC power

Installation Category II

Pollution Degree 2

Network to power: Reinforced insulation (300 V)

RoHS Directive

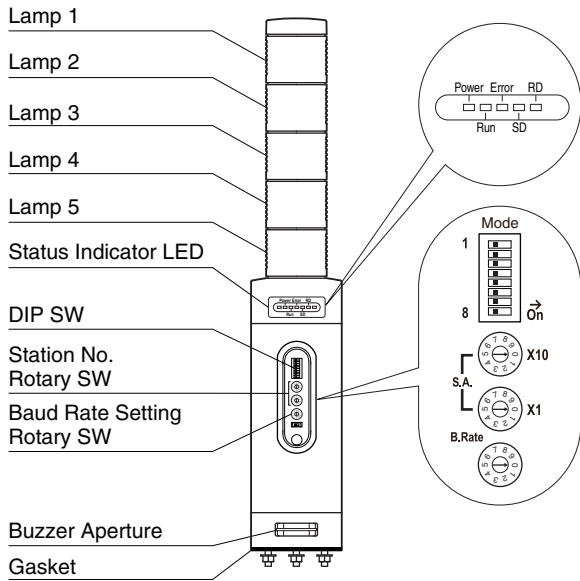
EN 50581

**Protection against access to the terminal blocks:**

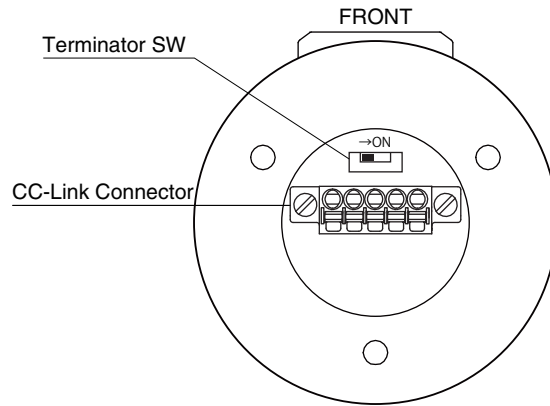
Finger protection (VDE 0660-514)

## EXTERNAL VIEW

### FRONT VIEW (with the cover open)

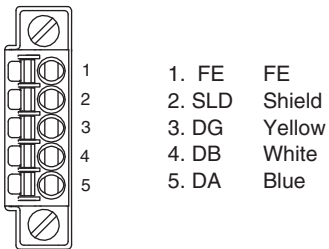


### BOTTOM VIEW

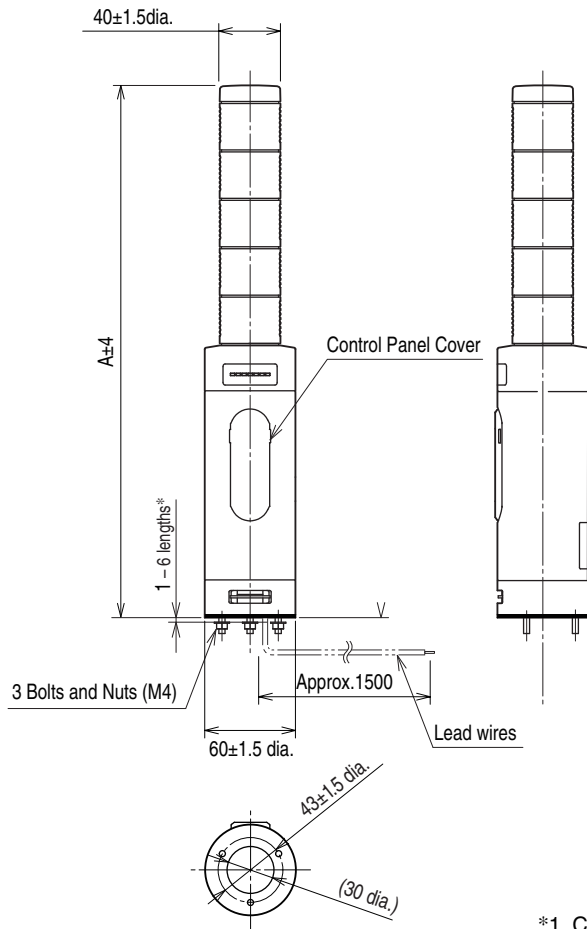


## TERMINAL ASSIGNMENTS

### CC-Link CONNECTOR



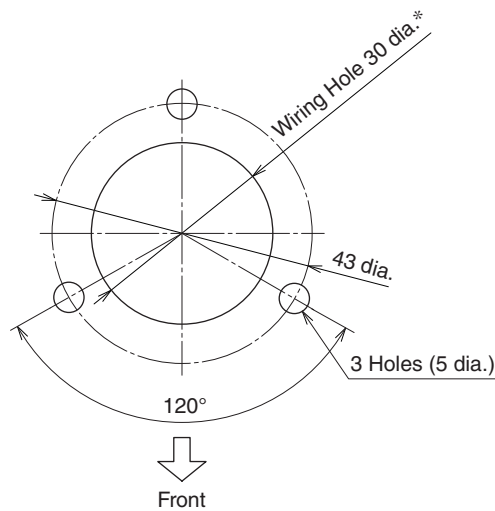
## DIMENSIONS unit: mm



Lamp Layers	A
1	224
2	256
3	288
4	320
5	352

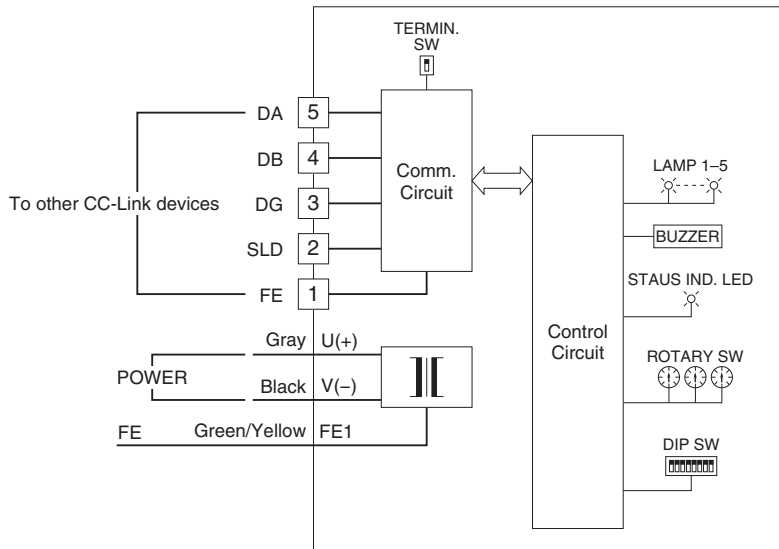
\*1. Consult M-System for other bolt length.

## MOUNTING REQUIREMENTS unit: mm



\*Protect wires to prevent scratching them at the edge of the compartment.

**SCHEMATIC CIRCUITRY & CONNECTION DIAGRAM**



Specifications are subject to change without notice.