

Final Control Elements

MANUAL OPERATION HANDLE

(for SERVO-TOP II models PSN1/PSN3)

Functions & Features

- Ratchet wrench used to manually operate the Servo-Top II models PSN1 and PSN3

MODEL: HPSN-1

ORDERING INFORMATION

- Code number: HPSN-1

HOLE SIZE

1: 8 mm (.31) sq.

GENERAL SPECIFICATIONS

Construction: Ratchet wrench

Required turns

PSN1: approx. 24 turns / 10 mm

PSN3: approx. 25 turns / 10 mm

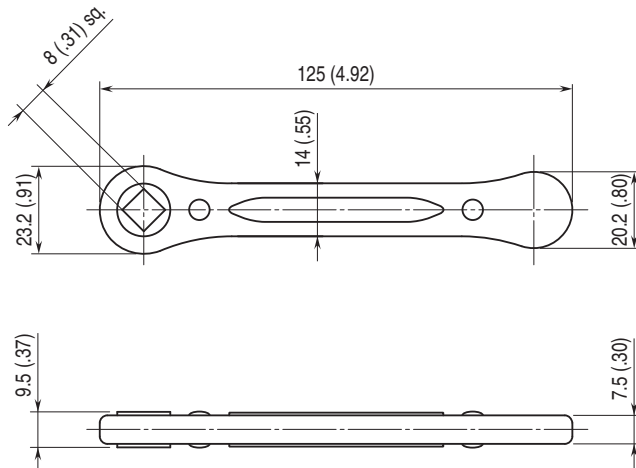
Torque:

1 N·m (PSN1)

1.5 N·m (PSN3)

Weight: 70 g (2.5 oz)

DIMENSIONS unit: mm (inch)



Specifications are subject to change without notice.