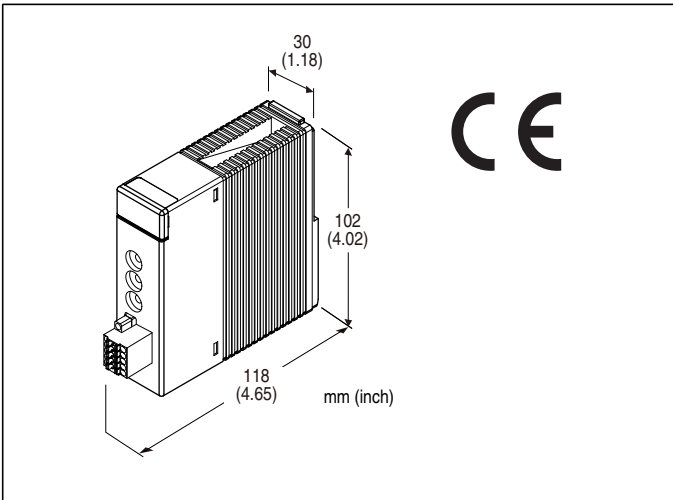


## Remote I/O FAM Series

### CC-Link MASTER MODULE

(Yokogawa Electric PLC use)



### MODEL: FAMCL-01

#### ORDERING INFORMATION

- Code number: FAMCL-01

#### RELATED PRODUCTS

- Yokogawa Electric PLC: FA-M3V  
Recommended CPU module: F3SP71-4S, F3SP76-7S, F3SP22
- Configurator software (model: FAMCLCFG)  
Configurator software downloadable at M-System's web site. In order to use FAMCLCFG, YOKOGAWA Electric Corporation 'WideField3' (R.3.02 or later) is required. FAMCL-01 and a PC are connected through the CPU unit of FA-M3V.

#### PACKAGE INCLUDES...

- Terminating resistor 110Ω (0.5W): 2 pcs.

#### GENERAL SPECIFICATIONS

##### Connection

**CC-Link:** Separable tension clamp terminal

**Cable connector:** TFMC1,5 / 5-STF-3,5

(Phoenix Contact) (included in the package)

**Applicable wire size:** 0.2 – 1.5 mm<sup>2</sup>; stripped length 10 mm

Recommended solderless terminal

- AI0,25–10YE 0.25 mm<sup>2</sup> (Phoenix Contact)
- AI0,34–10TQ 0.34 mm<sup>2</sup> (Phoenix Contact)
- AI0,5–10WH 0.5 mm<sup>2</sup> (Phoenix Contact)
- AI0,75–10GY 0.75 mm<sup>2</sup> (Phoenix Contact)
- A1–10 1.0 mm<sup>2</sup> (Phoenix Contact)

- A1,5–10 1.5 mm<sup>2</sup> (Phoenix Contact)

**Internal bus:** Via the Installation Base

**Internal Power:** Via the Installation Base

**Max. installable module:** 2

**Installable unit:** Main unit and sub unit

**Isolation:** CC-Link or FG to internal bus or internal power

**Status indicator LEDs:**

- RDY, RUN, LRUN, SD, RD: Green LED
- ERR, LERR: Red LED

#### CC-Link COMMUNICATION

**CC-Link:** Ver. 1.10/2.00

**Master function:** Master station (local station, standby master station not supported)

**Station address:** 00 (Use with '00'. Works as '00' even set to other than '00'.)

**Supported slave station:**

- Remote I/O station
- Remote device station (Ver. 1.10)
- Remote device station (Ver. 2.00)
- Intelligent device station, local station not supported

**Max. number of units connected:**

- 64 (Remote I/O station)
- 42 (Remote device station)

**Max. number of link points:**

- RX: 8192 (Data unit: bit)
- RY: 8192 (Data unit: bit)
- RWr: 2048 (Data unit: word)
- Rww: 2048 (Data unit: word)

**Protocol:** CC-Link Ver. 1.10 conformed

**Network topology:** Multi-drop

**Max. overall cable extension length:**

- 100 m (10 Mbps), 160 m (5 Mbps),
- 400 m (2.5 Mbps), 900 m (625 kbps),
- 1200 m (156 kbps)

**Transmission media:** CC-Link Ver. 1.10 compatible cable

**Operational station:** Master station

**Operational mode:** On-line mode

**Communication mode:** Cyclic transmission

**Baud rate:** 156 kbps, 625 kbps, 2.5 Mbps, 5 Mbps, 10 Mbps, set with rotary switch

**Slave station settings:** With configurator software (model: FAMCLCFG)

#### INSTALLATION

**Current consumption:** 600 mA @ 5V DC

**Operating temperature:** 0 to 55°C (32 to 131°F)

**Operating humidity:** 10 to 90 %RH (non-condensing)

**Atmosphere:** No corrosive gas or heavy dust

**Mounting:** Installation Base Module (model: F3BUxx-0N or F3BU05-0D)

Weight: 150 g (0.33 lb)

## PERFORMANCE

Insulation resistance:  $\geq 100 \text{ M}\Omega$  with 500 V DC

Dielectric strength: 1500 V AC @ 1 minute (CC-Link or FG to internal bus or internal power)

## STANDARDS & APPROVALS

EU conformity:

EMC Directive

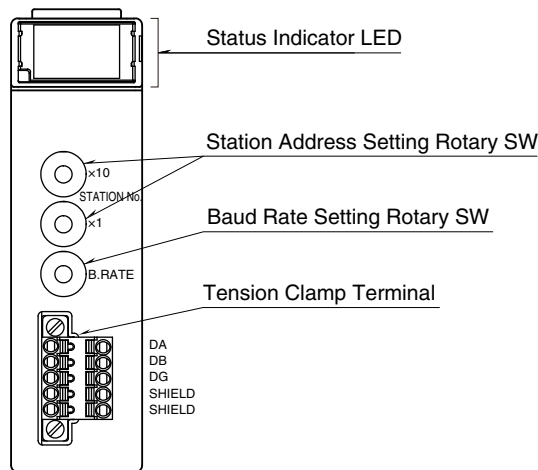
EMI EN 61000-6-4

EMS EN 61000-6-2

RoHS Directive

## EXTERNAL VIEW

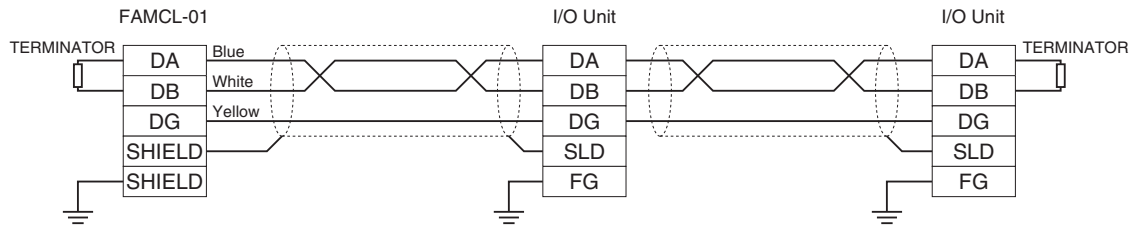
### FRONT VIEW



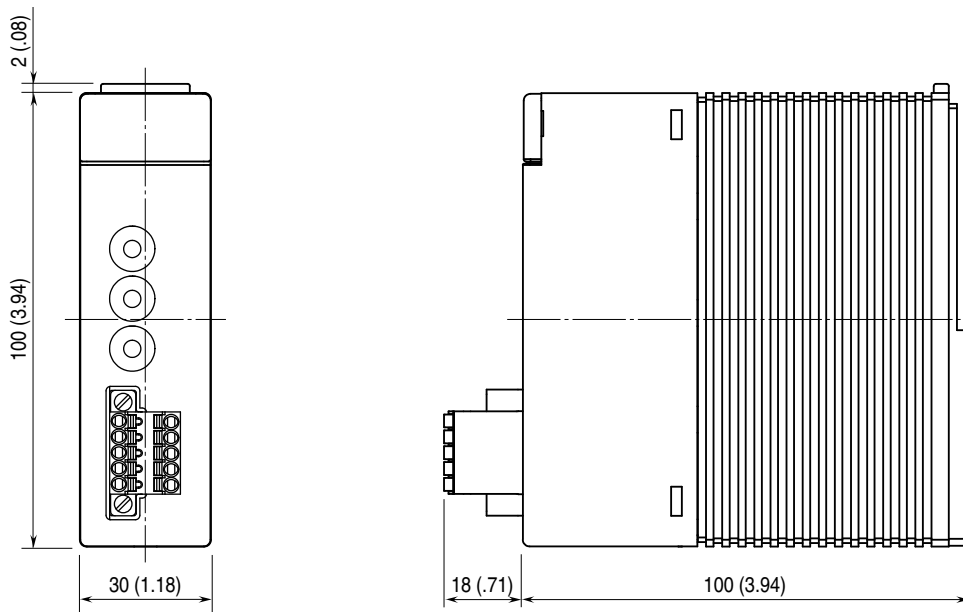
### STATUS INDICATOR LED

ID	STATUS	COLOR	FUNCTION
RDY	ON	Green	FA-M3 internal communication normal
RUN	ON	Green	In cyclic transmission, FAMCL internal communication normal
	Blinking	Green	Self diagnostics error
ERR	ON	Red	Communication error
	Blinking		Slave station data link error
LRUN	ON	Green	Data link running
LERR	ON	Red	Data link intercommunication error
SD	ON	Green	Transmitting data
RD	ON	Green	Receiving data

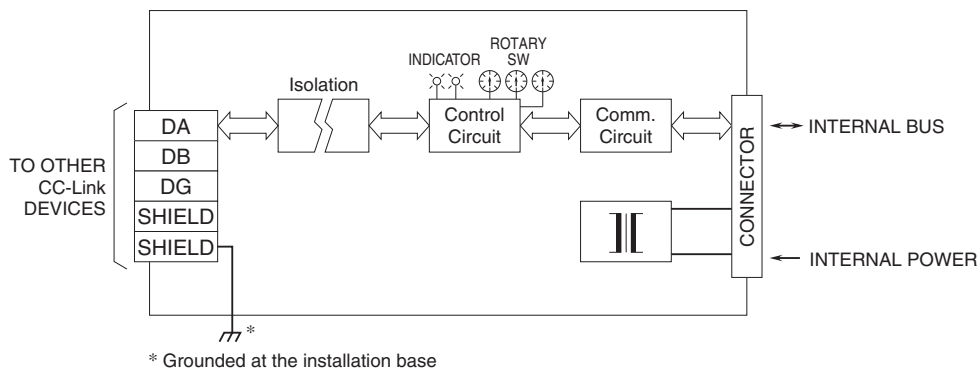
## COMMUNICATION CABLE WIRING



## EXTERNAL DIMENSIONS unit: mm [inch]



## SCHEMATIC CIRCUITRY & CONNECTION DIAGRAM



Specifications are subject to change without notice.