

## INFRARED COMMUNICATION ADAPTOR

(PC Configurator use)

### Functions & Features

- Communication adaptor used to configure M-System's products equipped with an infrared port (e.g. Model 54U) from a PC
- USB connection to the PC

### Weight:

/CL: 130g (4.6 oz)

/C: 80g (2.8 oz)

/NL: 50g (1.8 oz)

## MODEL: COP-IRU[1]

### ORDERING INFORMATION

- Code number: COP-IRU[1]

Specify a code from below for [1].

(e.g. COP-IRU/CL)

### [1] OPTIONS

#### Holder (must be specified)

/CL: Adaptor with L Type holder

/C: Adaptor only

/NL: L Type holder only

#### ■ AVAILABLE MODELS

/CL, /NL:

54U, 54UC, 54UL, 54Z, 47DAC, 47DM, 47DR, 47DT, 47DV

### RELATED PRODUCTS

- Driver software

Software downloadable at M-System's web site.

### GENERAL SPECIFICATIONS

**Connection:** USB Type A connector

**Housing material:** Resin (black)

### COMMUNICATION

**Standard:** USB

**Infrared communication distance:** Max. 1 meter

### CONNECTED DEVICE

**USB:** PC/AT compatible

OS (Windows 7 (32-bit, 64-bit), Windows Vista (32-bit), Windows XP)

**Infrared:** M-System's related infrared products.

### INSTALLATION

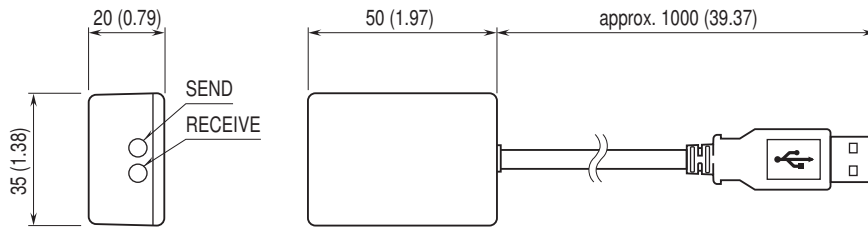
**Supply voltage:** 4.75 - 5.25 V DC, approx. 100mA  
(supplied through USB port)

**Operating temperature:** -5 to +60°C (23 to 140°F)

**Operating humidity:** 30 to 90 %RH (non-condensing)

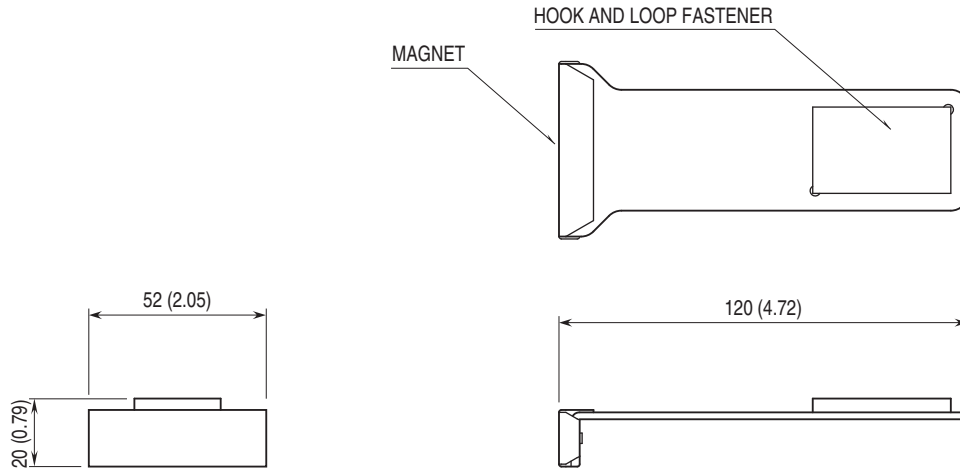
## DIMENSIONS unit: mm (inch)

### ■ COMMUNICATION ADAPTOR



### ■ HOLDER

- L Type



Specifications are subject to change without notice.