

## Limit Alarms (potentiometer adj.) A-UNIT

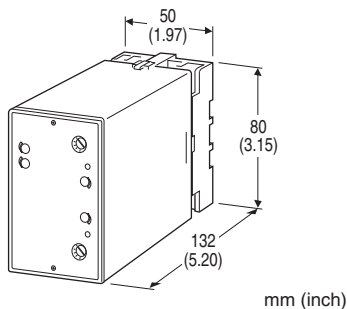
### DC ALARM

#### Functions & Features

- Providing SPDT relay outputs at preset DC input levels
- Dual (Hi/Lo) trip
- Energized or de-energized coil at a tripped condition selectable
- Hysteresis (deadband) adjustable
- Enclosed relays
- Relays can be powered 110 V DC
- Isolation up to 2000 V AC
- High-density mounting

#### Typical Applications

- Annunciator
- Various alarm applications



### MODEL: ACV-[1][2][3]-[4][5]

#### ORDERING INFORMATION

- Code number: ACV-[1][2][3]-[4][5]
- Specify a code from below for each of [1] through [5].  
(e.g. ACV-A113-B/Q)
- Special input range (For codes Z & 0)
- Specify the specification for option code /Q  
(e.g. /C01/S01)

#### [1] INPUT

##### Current

- A: 4 - 20 mA DC (Input resistance 250 Ω)
- A1: 4 - 20 mA DC (Input resistance 50 Ω)
- B: 2 - 10 mA DC (Input resistance 500 Ω)
- C: 1 - 5 mA DC (Input resistance 1000 Ω)
- D: 0 - 20 mA DC (Input resistance 50 Ω)
- E: 0 - 16 mA DC (Input resistance 62.5 Ω)
- F: 0 - 10 mA DC (Input resistance 100 Ω)
- G: 0 - 1 mA DC (Input resistance 1000 Ω)
- H: 10 - 50 mA DC (Input resistance 100 Ω)

- J: 0 - 10 μA DC (Input resistance 1000 Ω)
- K: 0 - 100 μA DC (Input resistance 1000 Ω)
- GW: -1 - +1 mA DC (Input resistance 1000 Ω)
- FW: -10 - +10 mA DC (Input resistance 100 Ω)
- Z: Specify current (See INPUT SPECIFICATIONS)

##### Voltage

- 1: 0 - 10 mV DC (Input resistance 10 kΩ min.)
- 15: 0 - 50 mV DC (Input resistance 10 kΩ min.)
- 16: 0 - 60 mV DC (Input resistance 10 kΩ min.)
- 2: 0 - 100 mV DC (Input resistance 100 kΩ min.)
- 3: 0 - 1 V DC (Input resistance 1 MΩ min.)
- 4: 0 - 10 V DC (Input resistance 1 MΩ min.)
- 5: 0 - 5 V DC (Input resistance 1 MΩ min.)
- 6: 1 - 5 V DC (Input resistance 1 MΩ min.)
- 4W: -10 - +10 V DC (Input resistance 1 MΩ min.)
- 5W: -5 - +5 V DC (Input resistance 1 MΩ min.)
- 0: Specify voltage (See INPUT SPECIFICATIONS)

#### SETPOINT ADJUSTMENTS

- 1: Single-turn screws

#### [2] SETPOINT 1 OUTPUT

- 1: Hi (coil energized at alarm)
- 2: Hi (coil de-energized at alarm)
- 3: Lo (coil energized at alarm)
- 4: Lo (coil de-energized at alarm)

#### [3] SETPOINT 2 OUTPUT

- 1: Hi (coil energized at alarm)
- 2: Hi (coil de-energized at alarm)
- 3: Lo (coil energized at alarm)
- 4: Lo (coil de-energized at alarm)

#### [4] POWER INPUT

##### AC Power

- B: 100 V AC
- C: 110 V AC
- D: 115 V AC
- F: 120 V AC
- G: 200 V AC
- H: 220 V AC
- J: 240 V AC

##### DC Power

- S: 12 V DC
- R: 24 V DC
- V: 48 V DC
- P: 110 V DC

## [5] OPTIONS

blank: none

/Q: With options (specify the specification)

### SPECIFICATIONS OF OPTION: Q (multiple selections)

**COATING (For the detail, refer to M-System's web site.)**

/C01: Silicone coating

/C02: Polyurethane coating

/C03: Rubber coating

**TERMINAL SCREW MATERIAL**

/S01: Stainless steel

## GENERAL SPECIFICATIONS

**Construction:** Plug-in

**Connection:** M3.5 screw terminals

**Screw terminal:** Chromated steel (standard) or stainless steel

**Housing material:** Flame-resistant resin (black)

**Isolation:** Input to output 1 to output 2 to power

**Zero adjustment:** -5 to +5 % (front)

**Span adjustment:** 95 to 105 % (front)

**Setpoint adjustments:** 270°-turn screwdriver adjustments (front); 0 - 100 % independently

**Hysteresis (deadband) adjustments:** 1 - 100 % (front)

**Front LEDs:** LED turns on at a tripped condition; red for output 1, green for output 2

**Power ON timer:** Relays de-energized for approx. 2 seconds after power is turned on.

## INPUT SPECIFICATIONS

■ **DC Current:**

Shunt resistor attached to the input terminals (0.5 W)

Specify input resistance value for code Z.

■ **DC Voltage:** -300 - +300 V DC

**Minimum span:** 10 mV

**Offset:** Max. 1.5 times span

**Input resistance**

Span 10 - 100 mV :  $\geq 10 \text{ k}\Omega$

Span 0.1 - 1 V :  $\geq 100 \text{ k}\Omega$

Span  $\geq 1 \text{ V}$  :  $\geq 1 \text{ M}\Omega$

## OUTPUT SPECIFICATIONS

■ **Relay Contact:** 100 V AC @ 1 A ( $\cos \phi = 1$ )

120 V AC @ 1 A ( $\cos \phi = 1$ )

240 V AC @ 0.5 A ( $\cos \phi = 1$ )

30 V DC @ 1 A (resistive load)

**Maximum switching voltage:** 380 V AC or 125 V DC

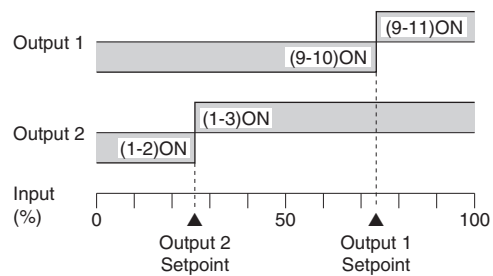
**Maximum switching power:** 120 VA or 30 W

**Minimum load:** 5 V DC @ 10 mA

**Mechanical life:**  $5 \times 10^7$  cycles

For maximum relay life with inductive loads, external protection is recommended.

### Alarm Trip Operation Terminal No. in parentheses



### Trip Operation in Power Failure

- **Output Code: 1 & 4:** Terminals 1 - 2, 9 - 10 turn ON
- **Output Code: 2 & 3:** Terminals 1 - 3, 9 - 11 turn ON

## INSTALLATION

**Power input**

• **AC:** Operational voltage range: rating  $\pm 10 \%$ , 50/60  $\pm 2$  Hz, approx. 2 VA

• **DC:** Operational voltage range: rating  $\pm 10 \%$ , or 85 - 150 V for 110 V rating (ripple 10 % p-p max.) approx. 2 W (80 mA at 24 V)

**Operating temperature:** -5 to +60°C (23 to 140°F)

**Operating humidity:** 30 to 90 %RH (non-condensing)

**Mounting:** Surface or DIN rail

**Weight:** 450 g (0.99 lb)

## PERFORMANCE in percentage of span

**Trip point repeatability:**  $\pm 0.5 \%$

**Temp. coefficient:**  $\pm 0.05 \%/^{\circ}\text{C}$  ( $\pm 0.03 \%/^{\circ}\text{F}$ )

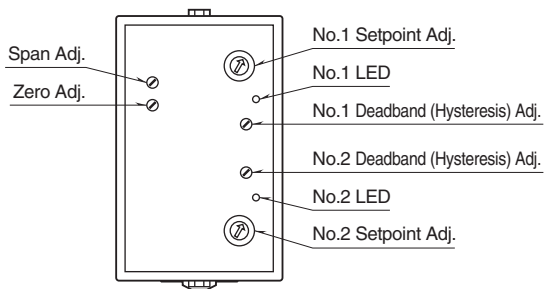
**Response time:**  $\leq 0.5$  sec. (0 - 100 % at 90 % setpoint)

**Line voltage effect:**  $\pm 0.1 \%$  over voltage range

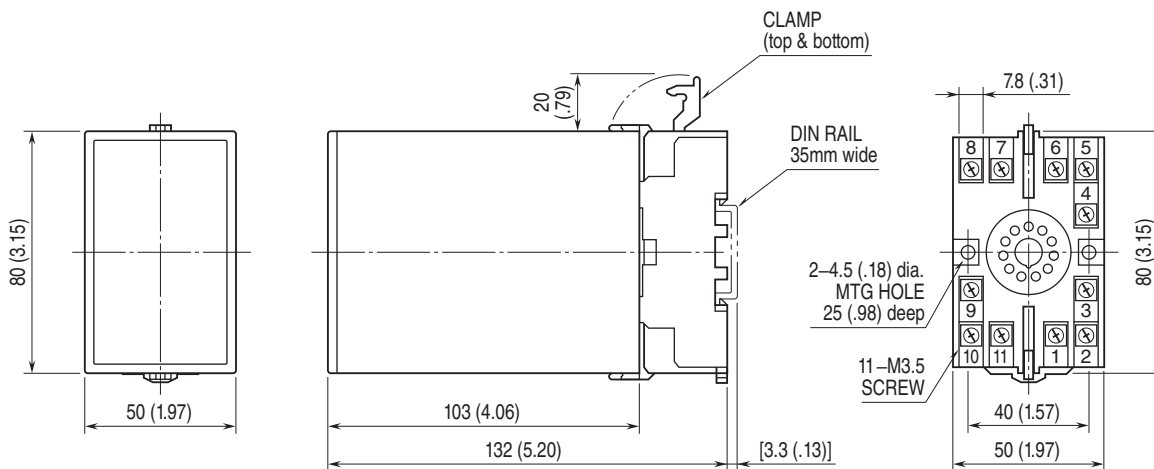
**Insulation resistance:**  $\geq 100 \text{ M}\Omega$  with 500 V DC

**Dielectric strength:** 2000 V AC @1 minute (input to output 1 to output 2 to power to ground)

## EXTERNAL VIEW

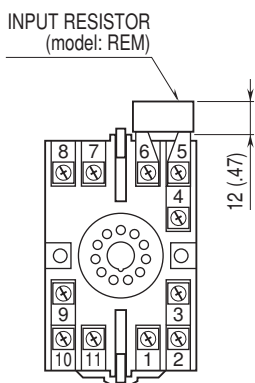


## EXTERNAL DIMENSIONS unit: mm (inch)



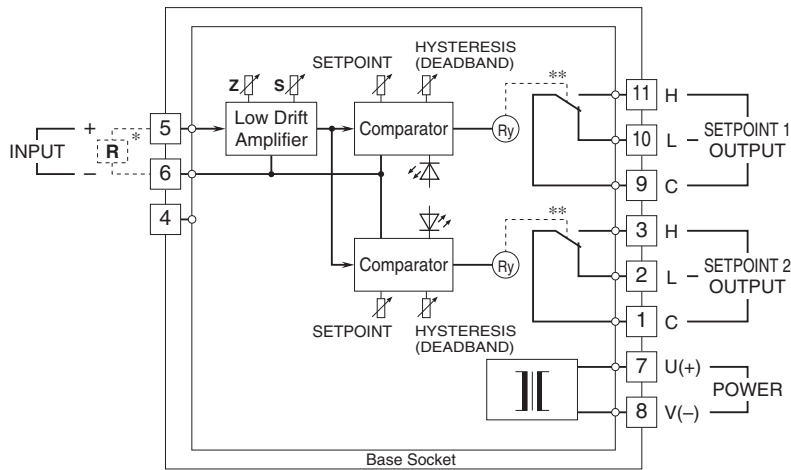
• When mounting, no extra space is needed between units.

## TERMINAL ASSIGNMENTS unit: mm (inch)



Input shunt resistor attached for current input.

## SCHEMATIC CIRCUITRY & CONNECTION DIAGRAM

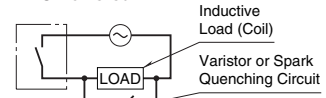


\* Input shunt resistor attached for current input.

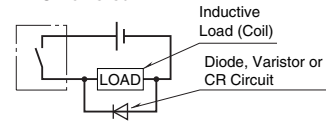
\*\*Relay status for output codes "1" & "4", at power OFF.

### ■ Relay Protection

#### • AC Powered



#### • DC Powered



Specifications are subject to change without notice.