

---

## DIN RAIL MOUNTING ADAPTER

### Functions & Features

- Used to mount Field-mount Transmitters B6-UNIT, 26-UNIT and 27-UNIT to a DIN rail with or without the 6DV Loop-powered Indicator
- Tightened with screws on the adapter using the transmitters' mounting holes

## MODEL: A-34[1]

### ORDERING INFORMATION

- Code number: A-34[1]

Specify a code from below for [1].

(e.g. A-34/276)

### [1] OPTIONS

**blank:** B6U

**/26:** 26-UNIT (except 26R or 26FR)

**/27:** 27-UNIT

**/6DV:** 6DV

**/266:** 26-UNIT (except 26R or 26FR) + 6DV

**/276:** 27-UNIT + 6DV

### GENERAL SPECIFICATIONS

**Mounting screw:** M4 screw attached

**Wire:** Attached to the options /266 and /276

**Material:** Flame-resistant resin

### INSTALLATION

**Operating temperature:** -40 to +85°C (-40 to +185°F)

(within the limit of the operating temperature for the transmitter/indicator)

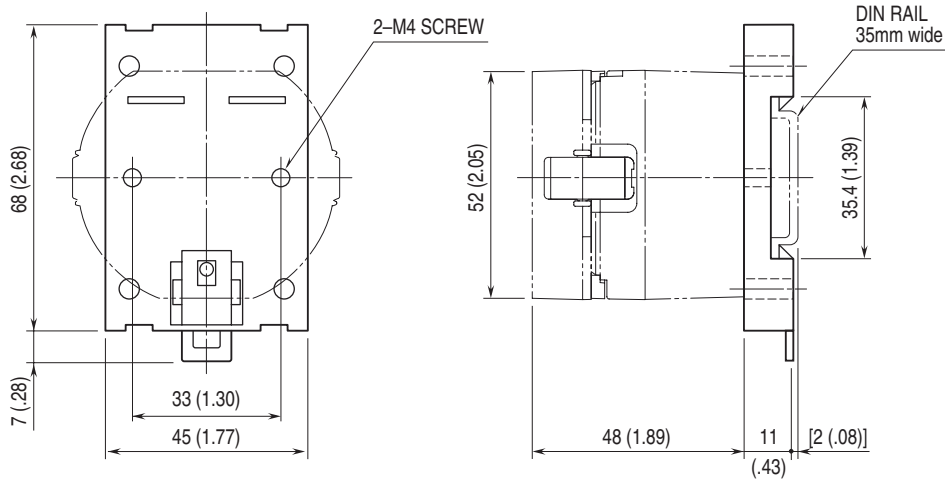
**Operating humidity:** 0 to 95 %RH (non-condensing)

**Weight:** 30 g (1.1 oz)

## DIMENSIONS unit: mm (inch)

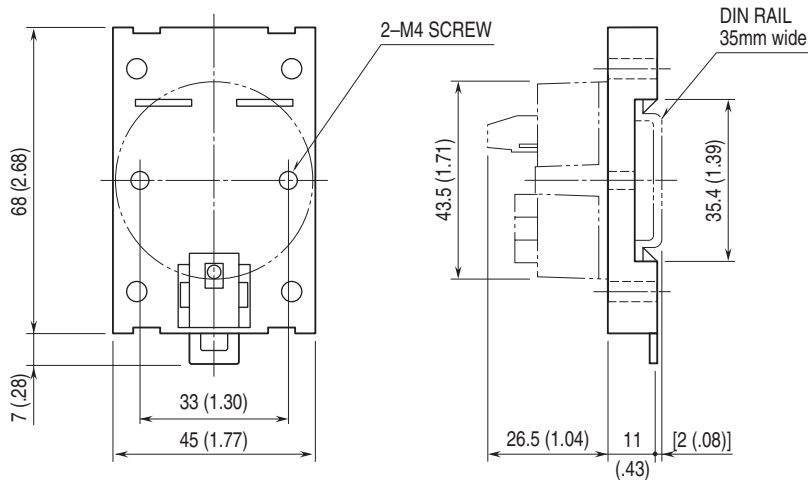
Adjust positions of the screws to attach the DIN rail to the wall surface so that they do not interfere with the screws to attach the transmitter/indicator to the adapter.

### ■ MOUNTING MODEL B6U TO DIN RAIL (model: A-34)

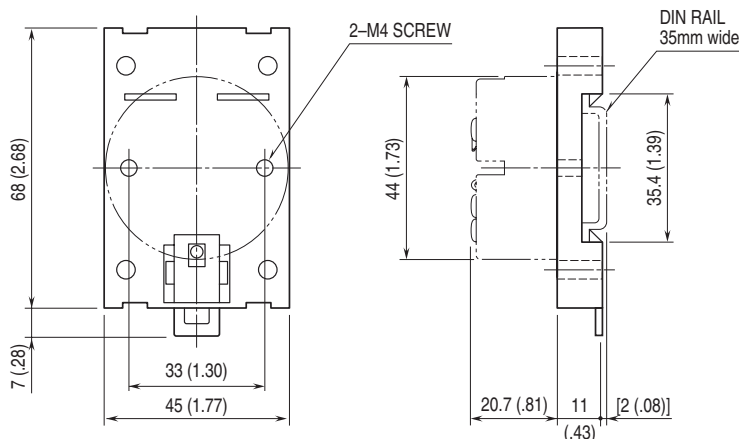


Leave enough space at both sides of the module to reach the side levers when installing/removing the LCD module.

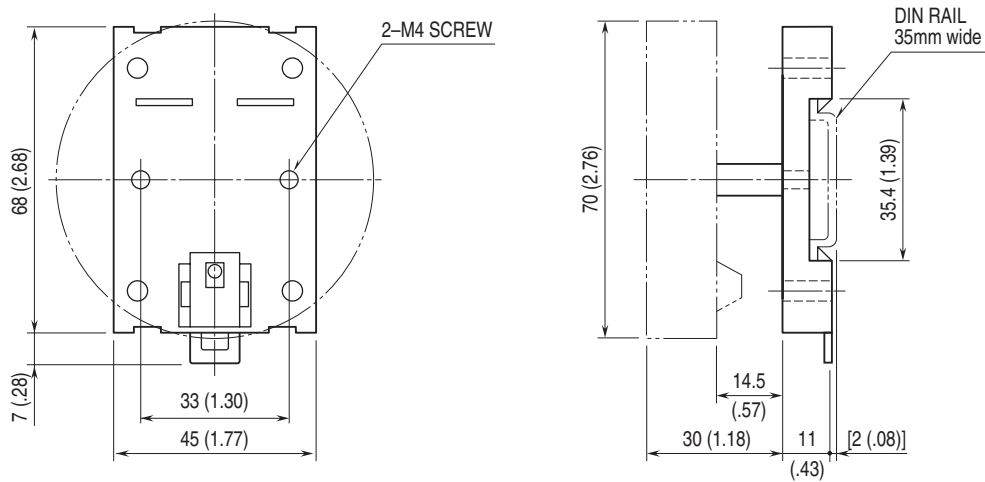
### ■ MOUNTING THE 26-UNIT TO DIN RAIL (model: A-34/26)



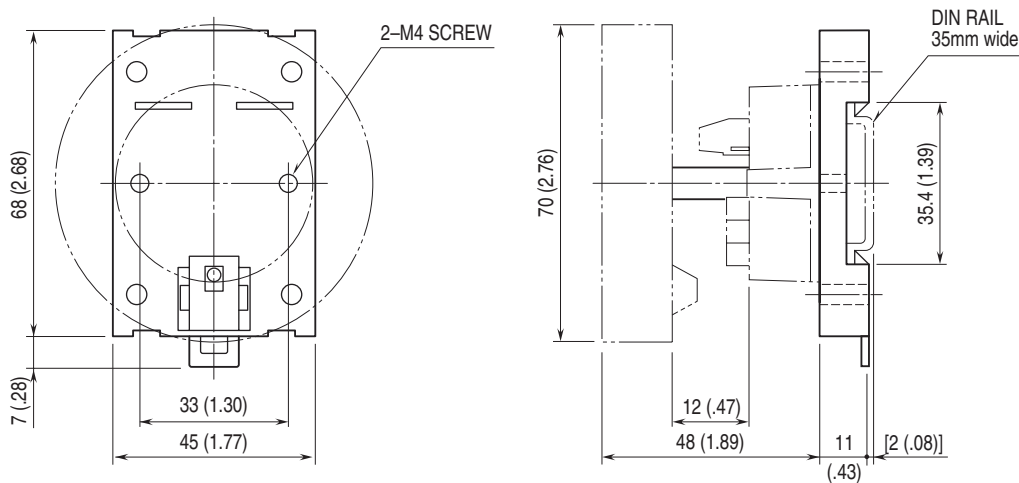
### ■ MOUNTING THE 27-UNIT TO DIN RAIL (model: A-34/27)



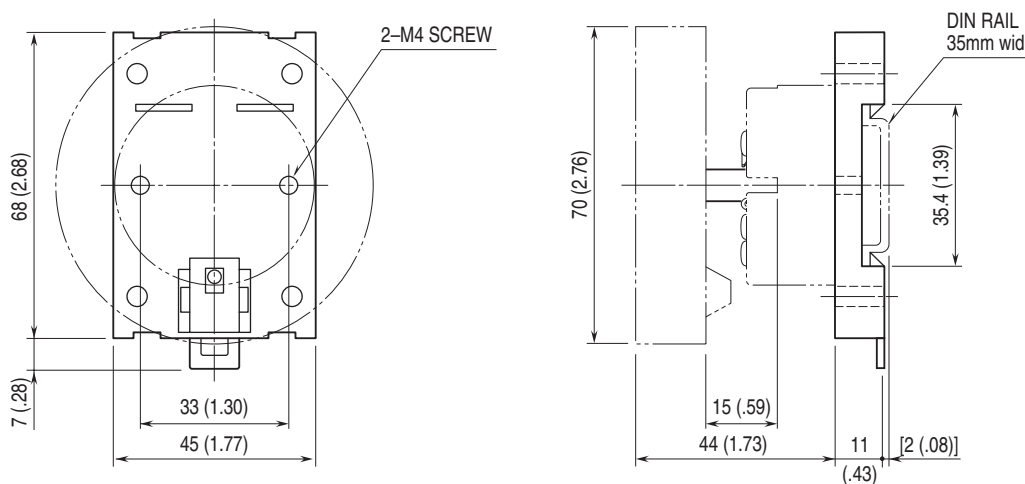
## ■ MOUNTING MODEL 6DV TO DIN RAIL (model: A-34/6DV)



## ■ MOUNTING THE 26-UNIT + 6DV TO DIN RAIL (model: A-34/266)



## ■ MOUNTING THE 27-UNIT + 6DV TO DIN RAIL (model: A-34/276)



Specifications are subject to change without notice.