

Field-mounted Two-wire Signal Conditioners 6-UNIT

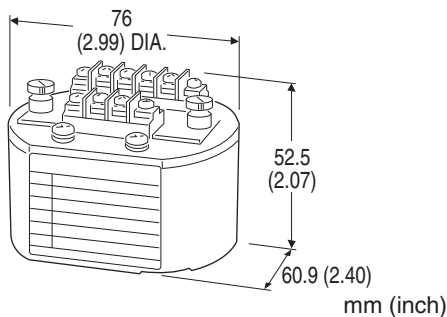
SQUARE ROOT EXTRACTOR

Functions & Features

- Providing a 4 - 20 mA DC signal proportional to the root of input signal
- Low-end cutout
- Rugged enclosure

Typical Applications

- Converting differential pressure to flow



MODEL: 6FN-A

ORDERING INFORMATION

- Code number: 6FN-A
- Mounting adapter (e.g. surface mounting adapter plate, model: A-01)

Note: When a mounting adapter is required, specify mounting adapter. Not included without specifying.

INPUT

A: 4 - 20 mA DC

RELATED PRODUCTS

- Outdoor enclosure (model: 6BX-E)

PACKAGE INCLUDES...

- Mounting adapter
 - surface mounting adapter plate (model: A-01)
 - Spring clip (model: A-02)
 - DIN rail mounting plate (model: A-31)

Note: When a mounting adapter is required, specify mounting adapter. Not included without specifying.
When using in combination with outdoor enclosure (model: 6BX-E), use a spring clip (model: A-02).

GENERAL SPECIFICATIONS

Connection: M3 screw terminals (torque 0.6 N·m)

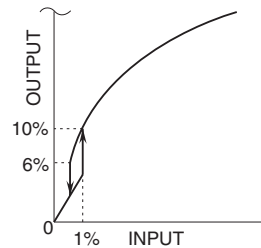
Screw terminal: Nickel-plated steel

Housing material: Diecast aluminum

Zero adjustment: 0 - 5 % (behind the access cover)

Span adjustment: 100 - 103 % (behind the access cover)

Low-end cutout: Approx. 10 % (output); curve characteristics shown in the figure below



OUTPUT SPECIFICATIONS

Output: 4 - 20 mA DC

Voltage drop per loop: ≤ 5 V

INSTALLATION

Supply voltage: Voltage required by differential pressure transmitter + 5 V

Operating temperature: -5 to +70°C (23 to 158°F)

Operating humidity: 30 to 90 %RH (non-condensing)

Mounting: DIN rail with mounting plate A-31; surface mounting with adapter plate A-01; spring clip A-02 for 3-inch hub

Weight: 220 g (0.49 lb)

PERFORMANCE in percentage of span

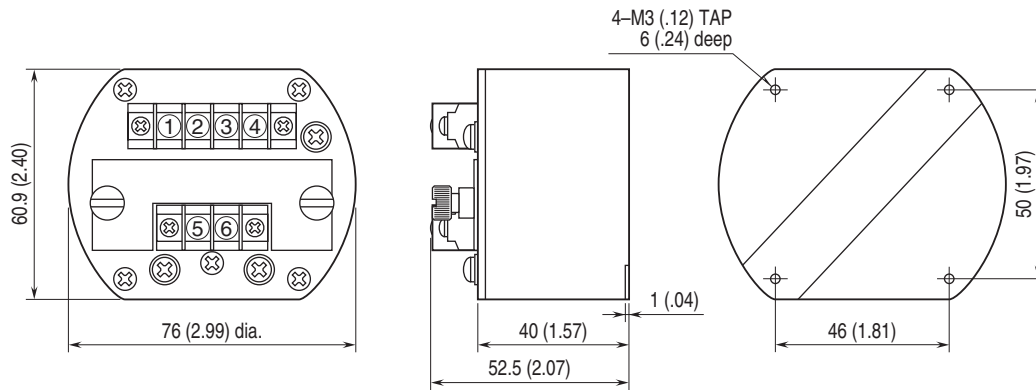
Accuracy: ±0.2 % (input 1 - 100 %)

Temp. coefficient: ±0.03 %/°C (±0.02 %/°F)

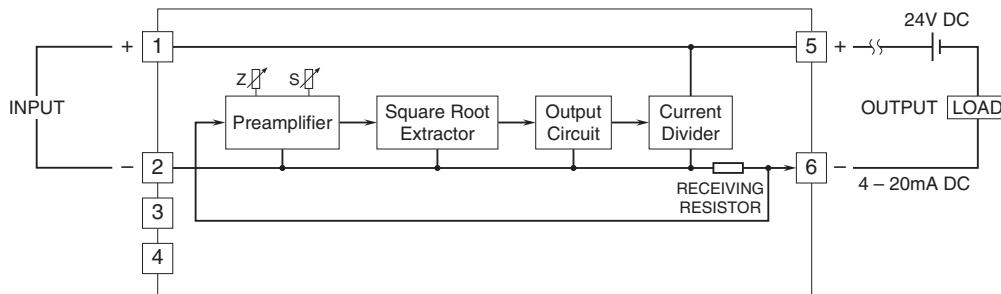
Response time: ≤ 0.5 sec. (0 - 90 %)

Ripple: 0.1 %p-p max.

EXTERNAL DIMENSIONS & TERMINAL ASSIGNMENTS unit: mm (inch)



SCHEMATIC CIRCUITRY & CONNECTION DIAGRAM



Specifications are subject to change without notice.