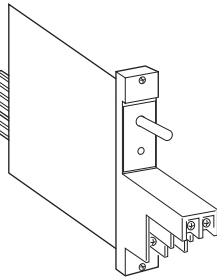


DCS Input/Output Relay Card Series

OUTPUT RELAY CARD

Functions & Features

- Interposing relay output card for DCS (Distributed Control System)
- Large current
- Voltage output directly driving an electromagnetic valve and 6-Amp dry contact
- Test switch and LED help you debugging or checking operation



MODEL: 38F2-5[1]

ORDERING INFORMATION

- Code number: 38F2-5[1]
- Specify a code from below for [1].
(e.g. 38F2-51)

INPUT

Dry contact or open collector

OUTPUT

Dry contact and voltage

[1] TEST SWITCH

- 0: Non-lock switch
- 1: Lock switch

RELATED PRODUCTS

- Standard Rack (model: 38D2-B)

GENERAL SPECIFICATIONS

Construction: Rack mounted; terminal access via screw terminals at the front and via connector at the rear

Connection

Input: Card-edge connector

Dry contact & voltage output: M3.5 screw terminals

(torque 0.8 N·m)

Power input: Supplied from card-edge connector

Screw terminal: Nickel-plated steel

Isolation: Input or power to voltage output to alarm contact to dry contact output

Indicator LED: Red lights turn on when the coil is energized.

Test switch

AUTO: Relay energized at ON input

OFF: Forced relay de-energized

ON: Forced relay energized

Fuse for the voltage output: 0.5 A

Alarm contact: Dry contact output at the rack terminal when the fuse is blown

125 V AC @ 0.5 A (cos ϕ = 1) 25 VA

125 V DC @ 0.5 A (resistive load) 25 W

INPUT & OUTPUT

Input: Dry contact or open collector

Contact detecting: 24 V DC @ 60 mA

■ DRY CONTACT OUTPUT: SPDT

Rating: 120 V AC or 24 V DC @ 6 A (resistive load)

120 V AC @ 6A (cos ϕ = 0.4)

24 V DC @ 3 A (L/R 7 ms)

Maximum switching rating: 250 V AC @ 6 A with resistive load; @ 5 A with cos ϕ = 0.4;

125 V DC @ 0.5 A with resistive load; 0.2 A with L/R 7 ms

Relay life

Mechanical: 10⁷ cycles

Electrical: 10⁵ cycles (30 cycles / min.)

Relay protection: External protection for the relay and spark quenching are recommended with inductive load (coil, etc.).

■ VOLTAGE OUTPUT: 100 V AC or 24 V DC \pm 10 %

Load current: 0.5 A max. (8 A max. in total of 16 cards)

Jumper pin: Close across the spark quenching diode at the load with DC power voltage output.

INSTALLATION

Power input

DC power supply: 24 V DC \pm 10 %, approx. 60 mA (ripple 10 %p-p max.)

Operating temperature: -5 to +55°C (23 to 131°F)

Operating humidity: 35 to 90 %RH (non-condensing)

Mounting: Standard Rack 38D2-B

Weight: 100 g (3.53 oz)

PERFORMANCE

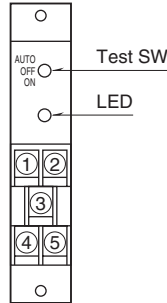
Insulation resistance: \geq 100 M Ω with 500 V DC

Dielectric strength: 1000 V AC @ 1 minute

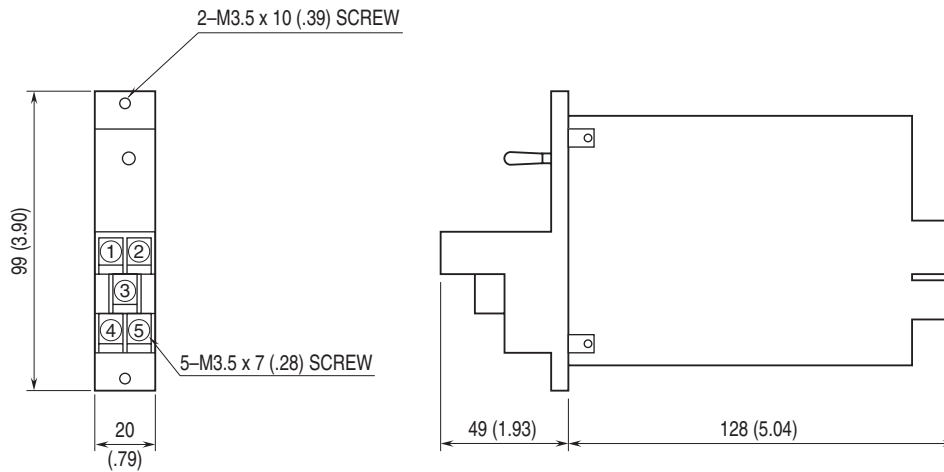
(input or power to voltage output to alarm contact to dry

contact output)
 2000 V AC @ 1 minute (voltage output or dry contact output
 to ground)

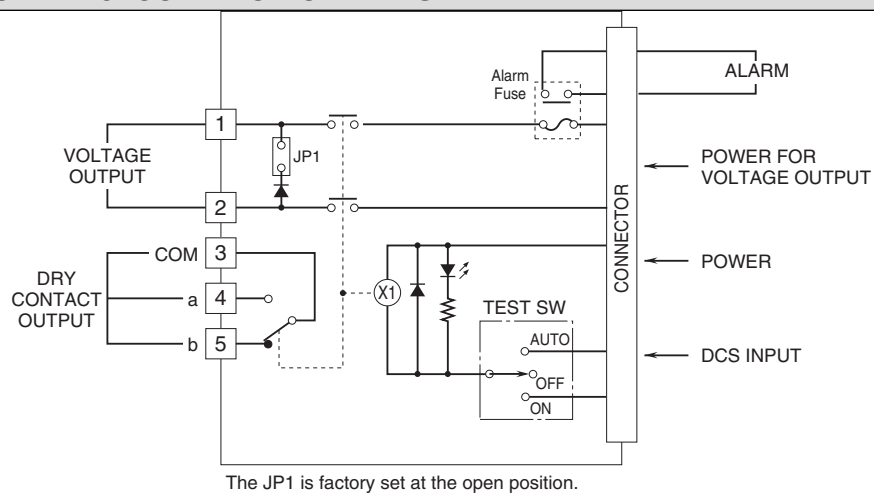
EXTERNAL VIEW



DIMENSIONS unit: mm (inch)



SCHEMATIC CIRCUITRY & CONNECTION DIAGRAM



Specifications are subject to change without notice.