

## Head-mounted Two-wire Signal Conditioners 26-UNIT

### RTD TRANSMITTER

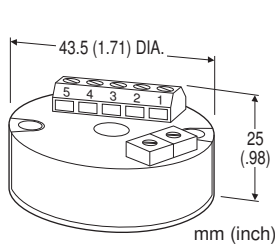
(non-isolated)

#### Functions & Features

- Accepts direct input from an RTD and provides a standard 4 - 20 mA DC signal
- Linearization and burnout
- Wide operating temperature range suitable for harsh environments

#### Typical Applications

- Mounting in a sensor connection head minimizes noise effect and signal degradation



## MODEL: 26R1-[1][2][3]

### ORDERING INFORMATION

- Code number: 26R1-[1][2][3]
- Specify a code from below for each of [1] through [3].  
(e.g. 26R1-41)
- Temperature range (e.g. 0 - 100°C)

#### [1] INPUT RTD (2- or 3-wire)

- 1: JPt 100 (JIS'89)
- 3: Pt 100 (JIS'89)
- 4: Pt 100 (JIS'97, IEC)

Note: Consult M-System for 2-wire RTD

#### [2] TEMPERATURE UNIT

- 1: °C
- 2: °F

#### [3] OPTIONS

##### Burnout

- blank: Upscale burnout
- /BL: Downscale burnout

### GENERAL SPECIFICATIONS

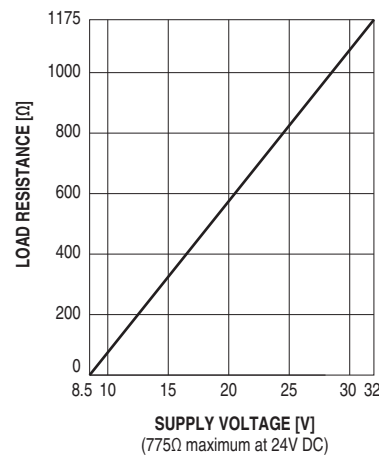
- Construction:** Sensor head-mounting
- Connection:** Euro type terminal
- Applicable wire size:** 0.14 - 1.5 mm<sup>2</sup>, stripped length 6 mm
- Housing material:** Flame-resistant resin (black)
- Zero adjustment:** -1 to +5 % (front)
- Span adjustment:** 95 to 105 % (front)
- Linearization:** Standard

### INPUT SPECIFICATIONS

- Maximum leadwire resistance:** 20 Ω per wire (3-wire)
- Sensing current:** 1 mA
- Temperature range**
- °C: 0 - 50, 0 - 100, 0 - 150, 0 - 200, 0 - 300, 0 - 400, 0 - 500, 0 - 650
- °F: 0 - 100, 0 - 200, 0 - 300, 0 - 400, 0 - 600, 0 - 800, 0 - 1000, 0 - 1200

### OUTPUT SPECIFICATIONS

- Output:** 4 - 20 mA DC
- Load resistance vs. supply voltage:**
- Load Resistance (Ω) = (Supply Voltage (V) - 8.5 (V)) ÷ 0.02 (A)
- (including leadwire resistance)



### INSTALLATION

- Supply voltage:** 8.5 - 32 V DC
- Operating temperature:** -40 to +85°C (-40 to +185°F)
- Operating humidity:** 0 to 90 %RH (non-condensing)
- Mounting:** Head-mounting (DIN type B head)
- Weight:** 30 g (1.1 oz)

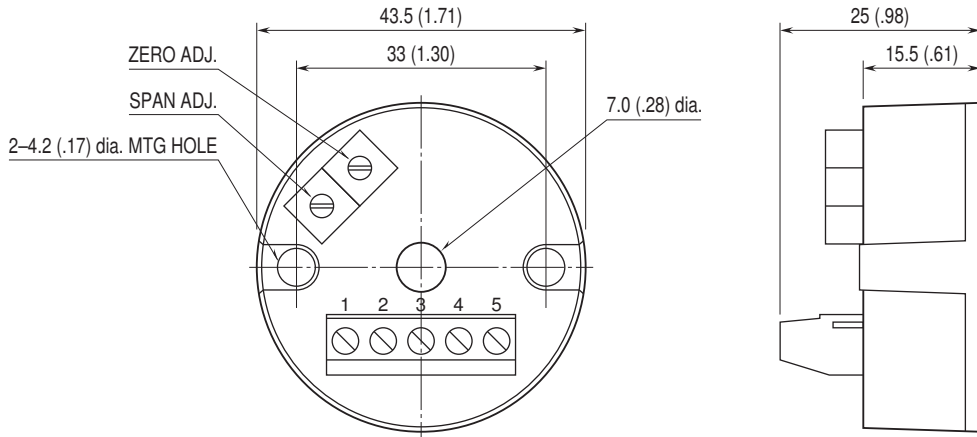
### PERFORMANCE in percentage of span

- Accuracy:** ±0.1 % or ±0.1°C (±0.2°F), whichever is greater.
- Temp. coefficient:** ±0.02 %/°C (±0.01 %/°F)
- Response time:** ≤ 0.5 sec. (0 - 90 %)

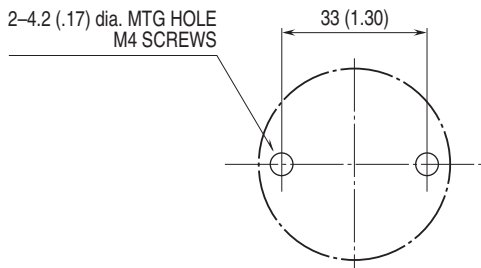
**STANDARDS & APPROVALS**

EU conformity:  
 EMC Directive  
 EMI EN 61000-6-4  
 EMS EN 61000-6-2  
 RoHS Directive

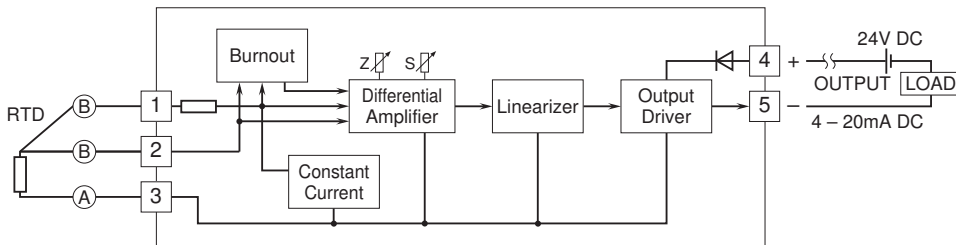
**EXTERNAL DIMENSIONS & TERMINAL ASSIGNMENTS unit: mm (inch)**




**MOUNTING REQUIREMENTS unit: mm (inch)**



**SCHEMATIC CIRCUITRY & CONNECTION DIAGRAM**



 Specifications are subject to change without notice.