

Hybrid IC Isolation Amplifiers 20 Series

power supply

ISOLATION AMPLIFIER

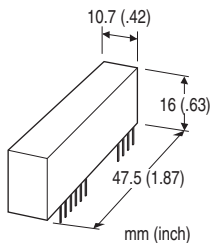
(high-accuracy, input isolation, external synchronous)

Functions & Features

- Being used for printed wiring board installation
- Up to 1500 V isolation between input to output or power input
- High-linearity
- Small installation area in printed wiring board
- Gain adjustable range, $\times 1$ to $\times 100$
- Powered with external Clock Generator (model: 20VS5-2)

Typical Applications

- Isolating the field and input circuit of microprocessor to reduce noise from field
- Available for manufacturers of small-lot products to omit the development of isolation circuit
- Using external Clock Generator to eliminate the "beat frequency" interference at multi-channel outputs.



MODEL: 20VS5-210

ORDERING INFORMATION

- Code number: 20VS5-210

INPUT RANGE -5 - +5 V DC

OUTPUT RANGE -5 - +5 V DC

POWER INPUT

210 kHz (clock input)

0 - 15 V, square wave, duty cycle: 50 %

Supplied with external Clock Generator (model: 20VS5-2)

RELATED PRODUCTS

- Clock generator (model: 20VS5-2)

GENERAL SPECIFICATIONS

Construction: Hybrid IC

Housing material: Flame-resistant resin (black)

Isolation: Input or reference voltage source to output or

INPUT SPECIFICATIONS

■ DC Voltage

Input : -5 - +5 V DC

Input resistance: $\geq 1 \text{ M}\Omega$ (10 k Ω in power failure)

Overload input voltage: $\pm 15 \text{ V}$ DC continuous

Input offset voltage: $\pm 10 \text{ mV}$

Input bias current: 0.5 nA TYP. (@25°C)

OUTPUT SPECIFICATIONS

■ DC Voltage: -5 - +5 V DC

Load resistance: $\geq 2.5 \text{ k}\Omega$

Output impedance: $\leq 1 \Omega$

REFERENCE VOLTAGE SOURCE

Output voltage: $\pm 8.5 \text{ V}$ DC TYP.

Load current: $\leq 2 \text{ mA}$

INSTALLATION

Power input

0 - 15 V $\pm 5 \%$, square wave, duty cycle: 50 % $\pm 5 \%$, 210 kHz $\pm 5 \%$; approx. 15 mA

Operating temperature: -10 to +70°C (14 to 158°F)

Operating humidity: 30 to 90 %RH (non-condensing)

Mounting: Soldering to the printed wiring board

Weight: 10g (0.35 oz)

PERFORMANCE in percentage of span

Unless otherwise specified, $G = 1$.

Linearity: $\pm 0.005 \%$ TYP. ($\pm 0.01 \%$ max.)

Temp. coefficient: 40 ppm/°C

Frequency characteristics: Approx. 6 kHz - 3dB

Response time: $\leq 90 \mu\text{sec}$. (0 - 90 %)

Conversion gain: $\times 0.98 \pm 5 \%$

Gain adjustable range: $\times 1$ to $\times 100$

Line voltage effect: $\pm 0.05 \%$

(over voltage, duty cycle and frequency range)

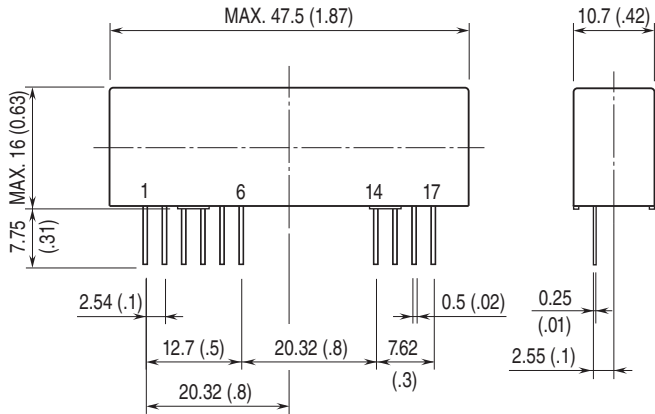
Insulation resistance: $\geq 100 \text{ M}\Omega$ with 500 V DC

Dielectric strength: 1500 V AC @1 minute (input or reference voltage source to output or power)

CMRR: $\geq 110 \text{ dB}$ (500 V AC 50/60 Hz)

$\geq 120 \text{ dB}$ (@ $G = 100$)

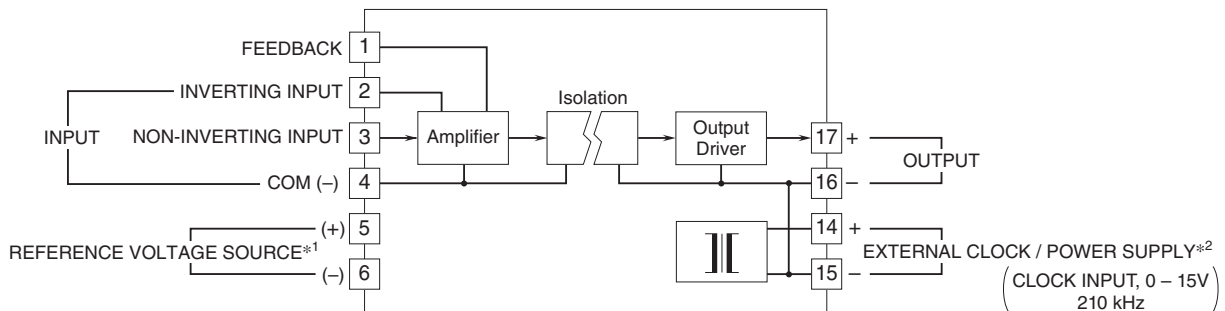
EXTERNAL DIMENSIONS & TERMINAL ASSIGNMENTS unit: mm (inch)



PIN ASSIGNMENT

1	FEEDBACK
2	INVERTING INPUT
3	NON-INVERTING INPUT
4	COM (-)
5	REFERENCE VOLTAGE SOURCE (+)
6	REFERENCE VOLTAGE SOURCE (-)
14	POWER SUPPLY (+) CLOCK INPUT [] 0-15V
15	POWER SUPPLY (-)
16	OUTPUT (-)
17	OUTPUT (+)

SCHEMATIC CIRCUITRY & CONNECTION DIAGRAM



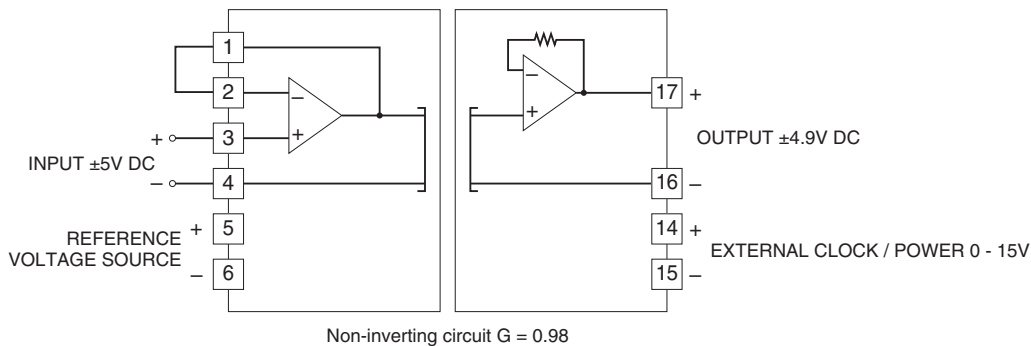
*1. To be used in the printed wiring board on which the unit is mounted.

*2. It is available to drive with external Clock Generator (model: 20VS5-2).

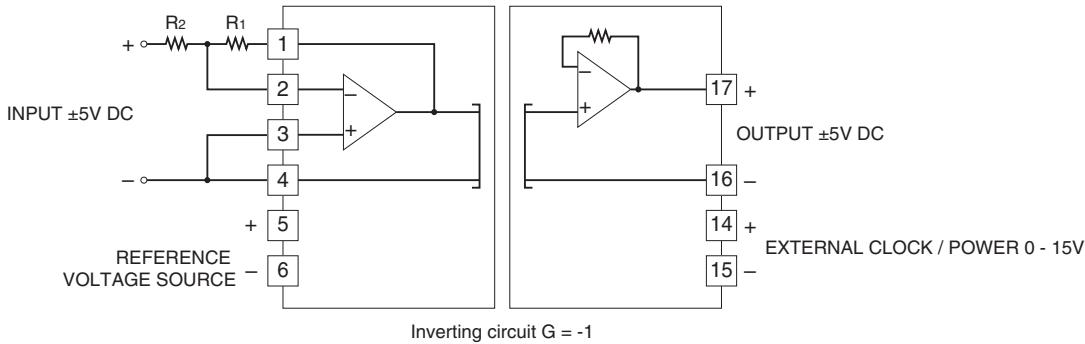
Note. The reference voltage source is common to the COM (-), terminal 4.

APPLICATION EXAMPLE

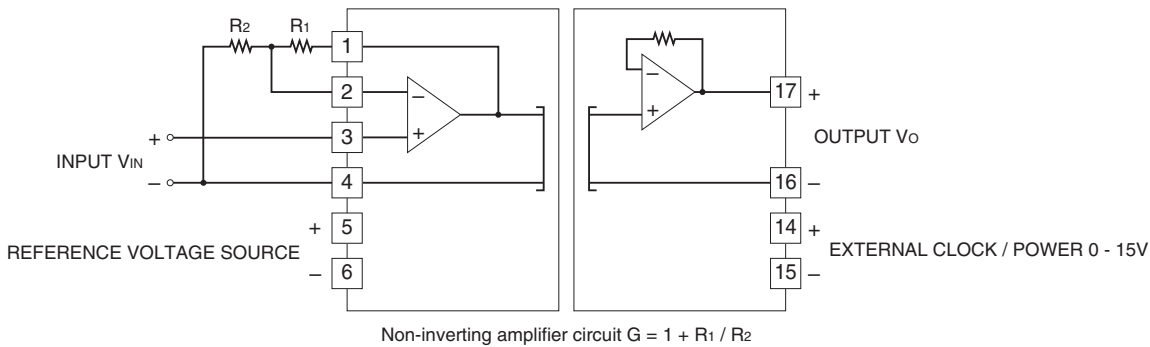
■ Non-inverting amplifier circuit: Basic example of $G = 0.98$



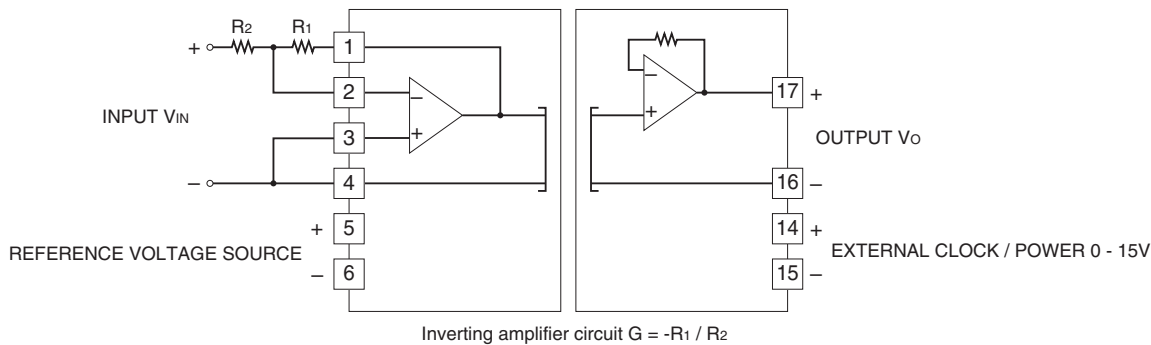
■ Inverting amplifier circuit: Basic example of $G = -1$ (output inverted to the input) ($R_1 \approx R_2$)



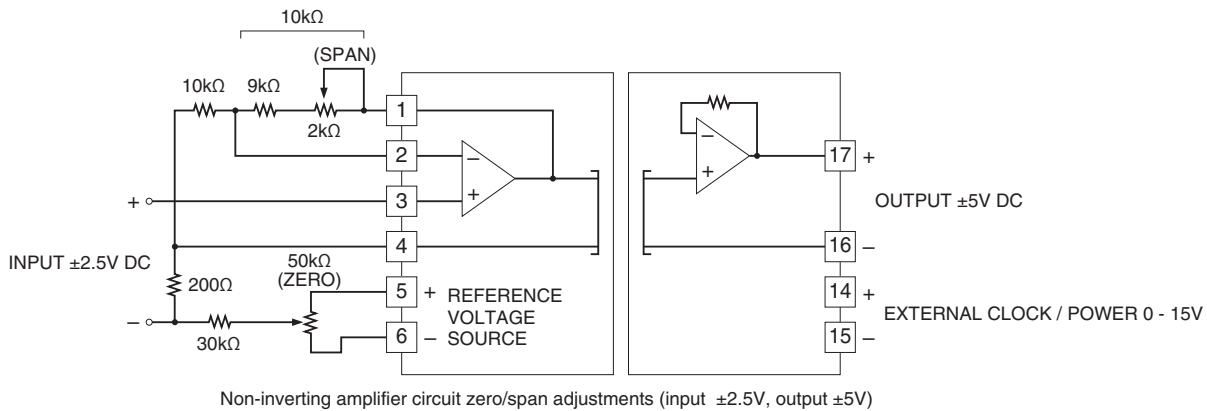
■ Non-inverting amplifier circuit: Example of $G = 1 + R_1 / R_2$



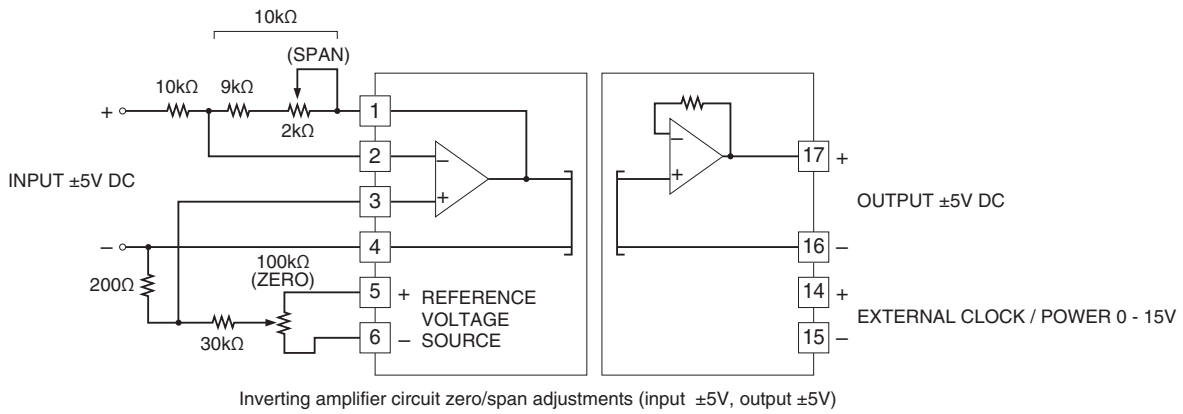
■ Inverting amplifier circuit: Example of $G = -R_1 / R_2$ (output inverted to the input)



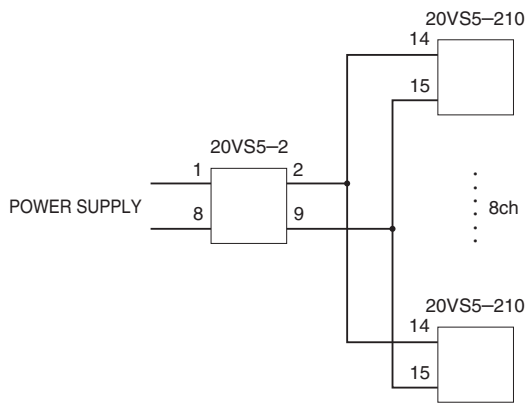
■ Non-inverting amplifier's circuit with external adjustments: Example of $G = 2$



■ Inverting amplifier's circuit with external adjustments: Example of $G = -1$ (output inverted to the input)



■ Multi-channel



Specifications are subject to change without notice.