

<b>LINK SET</b>	<b>MODEL VOLK</b>
-----------------	-------------------

**BEFORE USE ....**

Thank you for choosing M-System. Before use, check the contents of the package you received as outlined below.

If you have any problems or questions on the product, please contact M-System's Sales Office or representatives.

**■ MODEL NO.**

The Model VOLK is a link set used for connecting M-System's Position Transmitter to a 90-degree rotary valve.

Model suffix codes determine applicable valve stem diameters and lever types of the Position Transmitter. Confirm the specifications of the Link Set and the Position Transmitter.

**■ PACKAGE INCLUDES:**

**•VOLK-A, B, B1**

- Clamp (A), (B)..... (1) each
- Bolts for the clamp (M6) .....(2)
- Lever assembly.....(1)
- Lever-A .....(1)
- Connecting bolt, nut with washer .....(1)
- Nailed nut.....(1)

**•VOLK-C**

- Ring.....(1)
- Set screws for the ring (M6) .....(3)
- Lever assembly.....(1)
- Lever-A .....(1)
- Connecting bolt, nut with washer .....(1)
- Nailed nut.....(1)

**INSTALLATION**

**•VOLK-A, B, B1 (See Figure 1 below.)**

- 1) ATTACHING THE CLAMP
  - Put the valve (or actuator) stem between the clamps and fasten them with the attached two bolts in an appropriate position.
- 2) ADJUSTING THE LEVERS
  - Before connecting the lever assembly to the Position Transmitter lever, loosen the two bolts fastening the assembly and adjust its length.
  - Be sure to fasten these bolts securely after the adjustments.
- 3) CONNECTING THE POSITION TRANSMITTER
  - Refer to the Instruction Manual of the Position Transmitter for connecting the link set with the Position Transmitter.

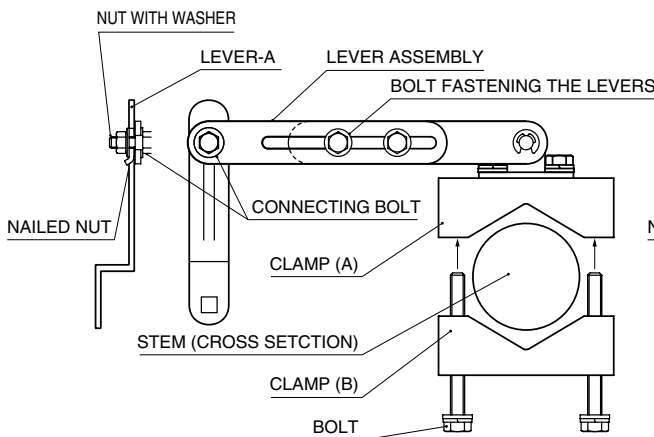


Figure 1. ATTACHING THE VOLK-A, B, B1  
(VOLK shapes are slightly different between different suffix code types.)

**•VOLK-C (See Figure 2 below.)**

- 1) ATTACHING THE RING
  - Insert the valve (or actuator) stem into the ring before connecting the valve with the actuator. After connecting them, fasten the ring with the attached three set screws in an appropriate position.
- 2) ADJUSTING THE LEVERS
  - Before connecting the lever assembly to the Position Transmitter lever, loosen the two bolts fastening the assembly and adjust its length.
  - Be sure to fasten these bolts securely after the adjustments.
- 3) CONNECTING THE POSITION TRANSMITTER
  - Refer to the Instruction Manual of the Position Transmitter for connecting the link set with the Position Transmitter.

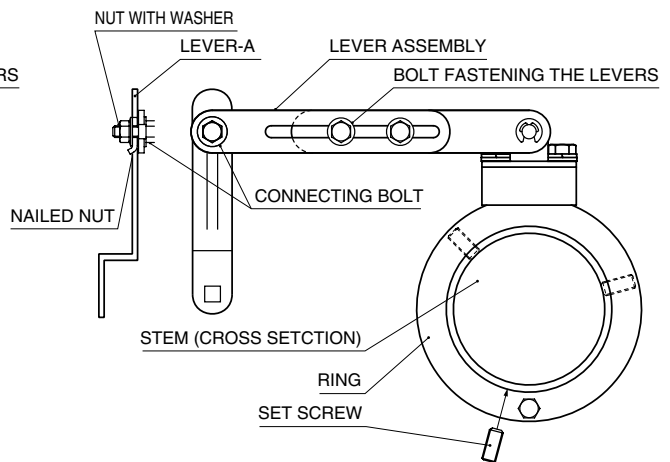


Figure 2. ATTACHING THE VOLK-C