

**ADAPTOR SET
(VOS2T-R use)**

MODEL **VOAR**

BEFORE USE

Thank you for choosing M-System. Before use, please check contents of the package you received as outlined below. If you have any problems or questions with the product, please contact M-System's Sales Office or representatives.

■ SPECIFICATIONS

The VOAR is used to replace the VOS-R Series with the VOS2T-R. The adaptor plate with a dedicated lever adjusts the mounting hole positions of the two models without need for extra fitting.

Please confirm the lever size of the VOAR matching that of the existing VOS-R module.

■ PACKAGE INCLUDES:

- Adaptor plate (1)
- Lever (1)
- Screw to attach the plate (M4)..... (4)
- Connecting pin..... (1)
- Nut with washer for the connecting pin..... (1)
- Nailed nut (1)

INSTALLATION

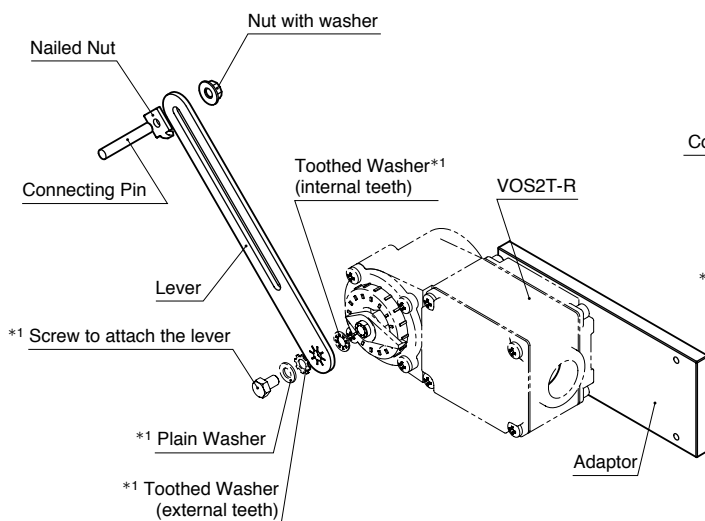
■ FIXING THE ADAPTOR PLATE

Attach the adaptor plate to the VOS2T-R with M4 screws included in the product package, and install the assembly where the VOS-R module was.

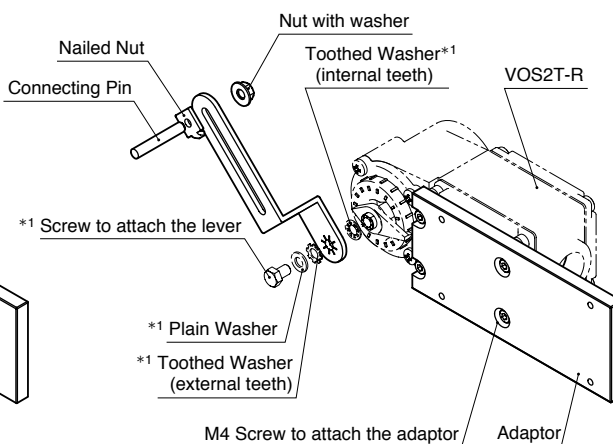
■ ATTACHING & ADJUSTING THE LEVER

Refer to the instruction manual for Model VOS2T-R (EM-4766) for detailed information.

• Lever Attached to the Upper Side



• Lever Attached to the Lower Side



*1. Use the parts from the VOS-R Series.

M-SYSTEM WARRANTY

M-System warrants such new M-System product which it manufactures to be free from defects in materials and workmanship during the 36-month period following the date that such product was originally purchased if such product has been used under normal operating conditions and properly maintained, M-System's sole liability, and purchaser's exclusive remedies, under this warranty are, at M-System's option, the repair, replacement or refund of the purchase price of any M-System product which is defective under the terms of this warranty. To submit a claim under this warranty, the purchaser must return, at its expense, the defective M-System product to the below address together with a copy of its original sales invoice.

THIS IS THE ONLY WARRANTY APPLICABLE TO M-SYSTEM PRODUCT AND IS IN LIEU OF ALL OTHER WARRANTIES, EXPRESS OR IMPLIED, INCLUDING ANY IMPLIED WARRANTIES OF MERCHANTABILITY OR FITNESS FOR A PARTICULAR PURPOSE. M-SYSTEM SHALL HAVE NO LIABILITY FOR CONSEQUENTIAL, INCIDENTAL OR SPECIAL DAMAGES OF ANY KIND WHATSOEVER.

M-System Co., Ltd., 5-2-55, Minamitsumori, Nishinari-ku, Osaka 557-0063 JAPAN, Phone: (06) 6659-8201, Fax: (06) 6659-8510, E-mail: info@m-system.co.jp