

POWER SUPPLY MODULE
(for AC power use)

MODEL **M6-PSM**

BEFORE USE

Thank you for choosing M-System. Before use, please check contents of the package you received as outlined below. If you have any problems or questions with the product, please contact M-System's Sales Office or representatives.

■ PACKAGE INCLUDES:

Power supply module (1)

■ MODEL NO.

Confirm Model No. marking on the product to be exactly what you ordered.

■ INSTRUCTION MANUAL

This manual describes necessary points of caution when you use this product, including installation, connection and basic maintenance procedures.

POINTS OF CAUTION

■ CONFORMITY WITH EU DIRECTIVES

- This equipment is suitable for Pollution Degree 2 and Installation Category II (transient voltage 2500V). Reinforced insulation (24V DC power to power input: 300V) is maintained. Prior to installation, check that the installation class of this unit satisfies the system requirements.
- The equipment must be mounted inside a panel.
- Altitude up to 2000 meters.
- The equipment must be installed such that appropriate clearance and creepage distances are maintained to conform to CE requirements. Failure to observe these requirements may invalidate the CE conformance.
- The actual installation environments such as panel configurations, connected devices, connected wires, may affect the protection level of this unit when it is integrated in a panel system. The user may have to review the CE requirements in regard to the whole system and employ additional protective measures to ensure the CE conformity.
- Install lightning surge protectors for those wires connected to remote locations.

■ POWER INPUT OPERATIONAL RANGE

- Locate the power input rating marked on the product and confirm its operational range as indicated below:
100 – 240V AC rating: 90 – 264V, 47 – 66 Hz, approx. 25 – 35VA

■ GENERAL PRECAUTIONS

- Before you remove the unit from its base or mount it, turn off the power supply for safety.

■ ENVIRONMENT

- Indoor use.
- When heavy dust or metal particles are present in the air, install the unit inside proper housing with sufficient ventilation.
- Do not install the unit where it is subjected to continuous vibration. Do not subject the unit to physical impact.
- Environmental temperature must be within -20 to +55°C (-4 to 131°F) with relative humidity within 30 to 90% RH in order to ensure adequate life span and operation.
- Be sure that the ventilation slits are not covered with cables, etc.
- Keep space of at less 1 cm (0.4 inches) on the left side of the power supply module.

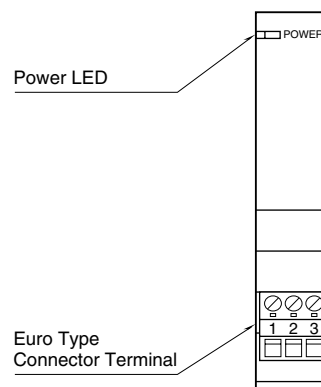
■ WIRING

- Do not install cables close to noise sources (relay drive cable, high frequency line, etc.).
- Do not bind these cables together with those in which noises are present. Do not install them in the same duct.

■ AND

- The unit is designed to function as soon as power is supplied, however, a warm up for 10 minutes is required for satisfying complete performance described in the data sheet.

COMPONENT IDENTIFICATION



INSTALLATION

Use the Installation Base (model: M6xBS-08A). In order to separate the M6-PSM from a base, push the locking clamp with a minus screwdriver.

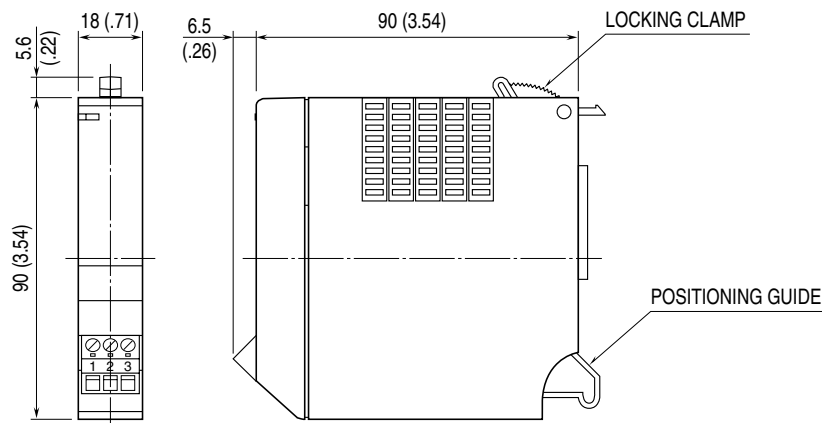
LIGHTNING SURGE PROTECTION

M-System offers a series of lightning surge protector for protection against induced lightning surges. Please contact M-System to choose appropriate models.

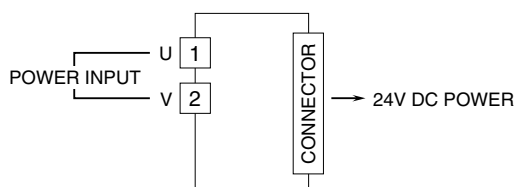
TERMINAL CONNECTIONS

Connect the unit as in the diagram below.

EXTERNAL DIMENSIONS unit: mm (inch)



CONNECTION DIAGRAM



WIRING INSTRUCTIONS

Applicable wire size: 0.2 to 2.5 mm² (AWG24 to 12)

Stripped length: 7 mm

(Tinning wire ends may cause contact failure and therefore is not recommended.)

CURRENT CONSUMPTION

In order to operate M6x signal conditioners, it is required that the total maximum current of the signal conditioners is not more than the continuous output current (400 mA) of M6-PSM.

If the power supply (24 V DC) of M6-PSM goes insufficient, take some measures, such as changing the combination of signal conditioners or reducing the number of them mounted.

M6D SERIES	M6N SERIES	M6S SERIES	MAX CURRENT (mA)
M6DCTC	M6NCTC	M6SCTC	25
M6DDY	M6NDY	M6SDY	50
M6DPA	M6NPA	M6SPA	25
M6DPP	M6NPP	M6SPP	50
M6DVF	M6NVF	M6SVF	30
M6DVS	M6NVS	M6SVS	25
M6DWVS	M6NWVS	M6SWVS	30
M6DXAP	M6NXAP	M6SXAP	50
M6DXAR	M6NXAR	M6SXAR	25
M6DXAS	M6NXAS	M6SXAS	25
M6DXAT	M6NXAT	M6SXAT	25
M6DXF1	M6NXF1	M6SXF1	25
M6DXF2	M6NXF2	M6SXF2	25
M6DXF3	M6NXF3	M6SXF3	25
M6DXM	M6NXM	M6SXM	25
M6DXR	M6NXR	M6SXR	25
M6DXT	M6NXT	M6SXT	25
M6DXU	M6NXU	M6SXU	25
M6DXV	M6NXV	M6SXV	25
M6DYV	M6NYV	M6SYV	21