

**BEFORE USE ....**

Thank you for choosing M-System. Before use, please check contents of the package you received as outlined below. If you have any problems or questions with the product, please contact M-System's Sales Office or representatives.

**■ PACKAGE INCLUDES:**

- Surge protector ..... (1)
  - DIN rail mounting adaptor\* ..... (1)
  - Screws for DIN rail mounting (M4 × 8)\* ..... (2)
- \*Included with option code /A33

**■ MODEL NO.**

Confirm Model No. marking on the product to be exactly what you ordered.

**■ INSTRUCTION MANUAL**

This manual describes necessary points of caution when you use this product, including installation, connection and basic maintenance procedures.

**LIMITATION APPLICABLE TO M-RESTER**

The M-RESTER will protect electronics equipment from damage caused by lightning by absorbing most of the surge voltages.

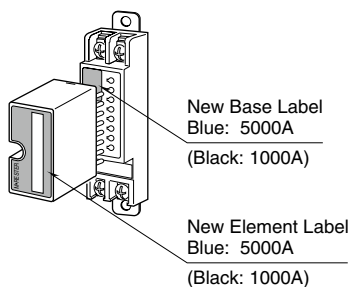
However, M-RESTER may not be effective against certain extremely high voltages caused by a direct or almost direct hit by lightning.

M-RESTER must be installed according to this installation / instruction manual.

**CAUTION (DISCHARGE CAPACITY)**

The discharge capacity of this unit has been increased to 5000 Amps. However, using an older style base socket with any upgraded head element could decrease the overall effectiveness of the unit.

The upgraded version element and socket are distinguished by blue labels affixed to them. If you are replacing the head element only, be sure to check the label color of the base socket that is already installed.



**GENERAL**

**■ FUNCTION & FEATURES**

- Designed specifically to protect telemetering systems utilizing leased circuit
- Applied to modems for computer using audio band signals and to telemetering systems
- Absorbs surges only without affecting instrumentation signal
- No interruption of signal by unplugging the protector element

**■ SPECIFICATIONS**

	LINE TO LINE	LINE TO EARTH
Max. continuous operating voltage (Uc)	±1.2V	±140V
Voltage protection level (Up) @1kV (100A)	±15V	±650V
Voltage protection level (Up) @2kV (1kA)	±45V	±800V
Leakage current	≤ 20µA @±1.2V	≤ 10µA @±140V
Capacitance @1 MHz	≤ 500 pF	≤ 100 pF
Response time	≤ 4 nsec.	≤ 20 nsec.
Max. discharge current (Imax)	5000A (8 / 20 µs)	
Nominal current (IN)	100mA	
Internal series resistance	8 Ω ±20% including return	

**POINTS OF CAUTION**

**■ ENVIRONMENT**

- When heavy dust or metal particles are present in the air, install the surge protector inside proper housing with sufficient ventilation.
- Do not install the surge protector where it is subjected to continuous vibration. Do not subject the unit to physical impact.
- Environmental temperature must be within -5 to +55°C (23 to 131°F) with relative humidity within 30 to 90% RH in order to ensure adequate life span and operation.

**■ DIELECTRIC STRENGTH TEST**

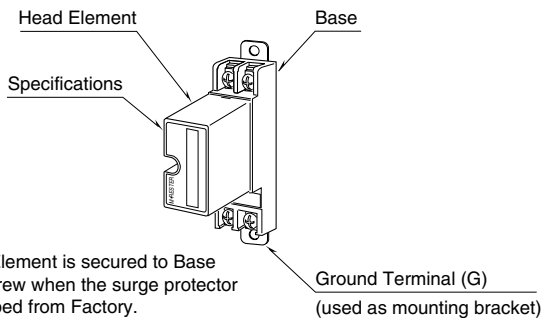
- Loosen the screw located at the left-center of the element and remove the element module from the base before conducting a dielectric strength testing. Otherwise the element will start discharging at a voltage exceeding the max. continuous operating voltage (Uc), which can cause insulation failure of the module.

Be sure to return the element and fasten securely after the test.

**■ AND ....**

- We recommend that you keep spare surge protectors so that you can replace them when necessary.
- Lightning surge can enter not only through signal lines but also through power supply lines. We recommend that you also use the surge protectors for power line for sufficient protection.

## COMPONENT IDENTIFICATION



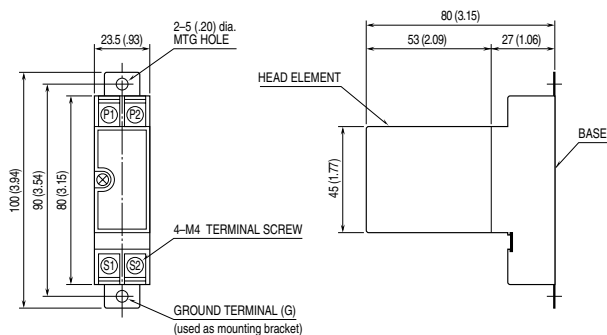
## INSTALLATION

In order to separate the head element from the base, loosen the screw located at the left-center of the element.

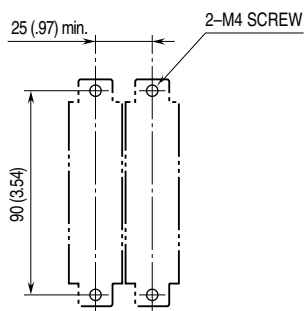
### ■ WALL MOUNTING

Refer to the drawings below.

#### • EXTERNAL DIMENSIONS unit: mm (inch)



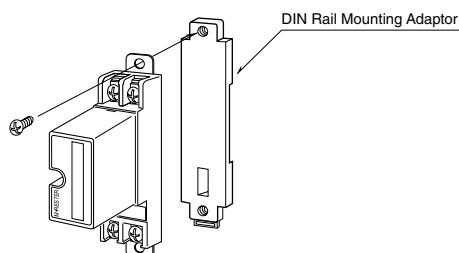
#### • MOUNTING REQUIREMENTS unit: mm (inch)



### ■ DIN RAIL MOUNTING (Only for /A33)

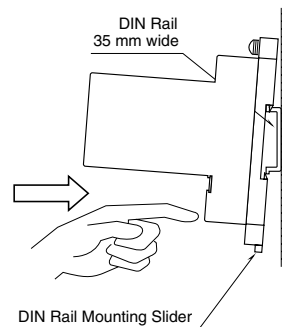
#### 1. MOUNTING ONTO THE ADAPTOR

Before DIN rail mounting, secure the mounting bracket of MDP to the mounting adaptor with a screw provided with this product. In this step, secure at one point.



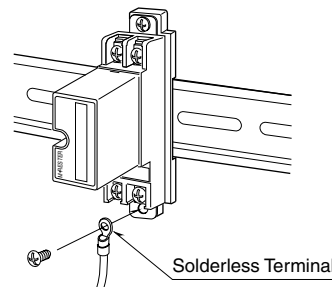
#### 2. DIN RAIL MOUNTING

Set the base socket so that its mounting slider is at the bottom. Position the upper hook at the rear side of base socket on the DIN rail and push in the lower. When removing the socket, push down the mounting slider utilizing a minus screwdriver and pull.

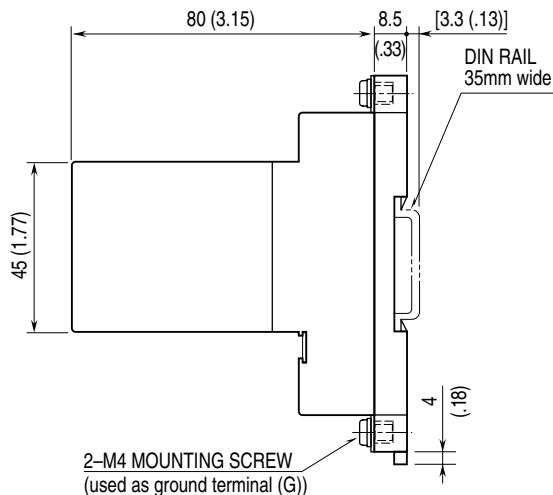


#### 3. GROUNDING

Secure the mounting bracket at the other point with the other screw. In this step, secure the grounding wire together with the screw.



#### • MOUNTING REQUIREMENTS unit: mm (inch)

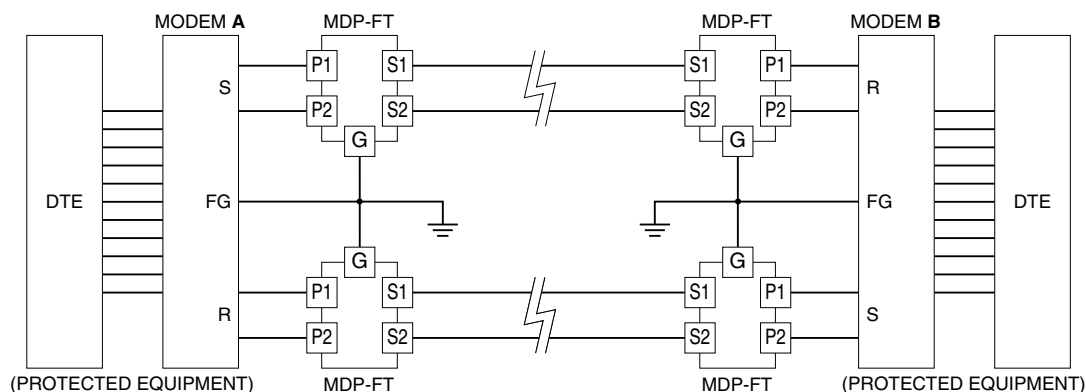


## TERMINAL CONNECTION

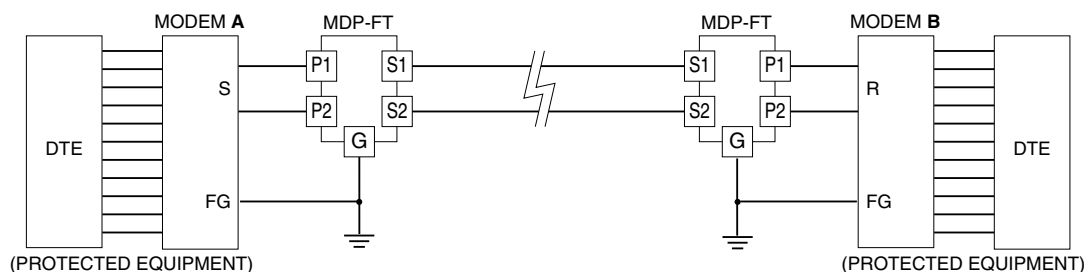
Connect the unit as in the diagram below.

Be sure to cross-wire between the Ground terminal (G) and that of the protected equipment. When the surge protector is connected with a device which has no ground terminal such like M-System's, ground the M-RESTER Ground terminal (G) only.

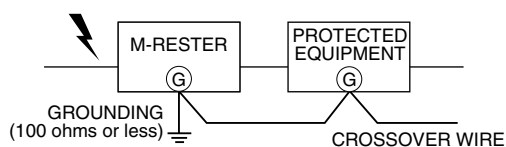
### ■ 4-WIRE CONNECTION



### ■ 2-WIRE CONNECTION



### ■ GROUNDING



A crossover wire between M-RESTER ground and the ground or metallic housing of the equipment is required for protection. If the protected equipment has no ground terminal, ground the M-RESTER only. When the M-RESTER is mounted with DIN Rail Mounting Adapter, connect the grounding wire to the mounting screw of the M-RESTER.

## WIRING INSTRUCTIONS

### ■ SCREW TERMINAL

Torque: 0.8 N·m

## MAINTENANCE

Check surge protectors periodically. Many cases of lightning are ignored, and even lightning at a far distance often causes inductive surges.

We recommend that you check your surge protector about twice a year, before and after the rainy season. Check whenever you experience a strong lightning occurrence.

Checking procedure is explained in the following:

### ■ CHECKING WIRING

- 1) Make sure that wiring is done as instructed in the connection diagram.
- 2) Make sure that the Ground terminal (G) is connected to the metallic housing of protected equipment.
- 3) Make sure that the Ground terminal (G) is grounded to earth.

### DISCHARGE FUNCTION

The M-RESTER Tester is available for checking the element module of this surge protector.

If you do not have one, approximate checking can be conducted as following.

- 1) Remove all wiring connected to the surge protector when you test the element module.
- 2) Check resistance across the following terminals on the high resistance range of multimeter ( $\leq 1V$ ) and confirm no conduction (The meter shows  $\geq 5M\Omega$ ).

Terminals (S1) – (S2), (S1) – (G), (S2) – (G)

- 3) Check that discharging occurs across the same terminals with a 500V DC 1000M $\Omega$  insulation tester (The tester shows  $\leq 20M\Omega$ ).

If any of the above tests shows negative, replace the protector.