

INSTRUCTION MANUAL**LIGHTNING SURGE PROTECTOR FOR
STANDARD SIGNAL LINE & PULSE USE**(life monitor, 24 V, 48 V or 65 V DC line voltage,
photovoltaic system, instrument shelter)**MODEL MDM2AT****BEFORE USE**

Thank you for choosing M-System. Before use, check the contents of the package you received as outlined below.

If you have any problems or questions with the product, please contact M-System's Sales Office or representatives.

■ PACKAGE INCLUDES:

Surge protector (body + base socket)..... (1)

■ MODEL NO.

Confirm Model No. marking on the product to be exactly what you ordered.

■ INSTRUCTION MANUAL

This manual describes necessary points of caution when you use this product, including installation, connection and basic maintenance procedures.

LIMITATION APPLICABLE TO M-RESTER

The M-Rester will protect electronics equipment from damage caused by lightning by absorbing most of the surge voltages.

However, M-Rester may not be effective against certain extremely high voltages caused by a direct or almost direct hit by lightning.

M-Rester must be installed according to this installation / instruction manual.

SPECIFICATIONS

	LINE TO LINE		LINE TO EARTH
	24V DC	48 or 65V DC	
Max. continuous operating volt. (Uc)	30 V	70 V	±140 V
Voltage protection level (Up)	45 V max.	100 V max.	±650 V max.
Leakage current	≤ 5 μA @ max. voltage		
Response time	≤ 0.1 μsec.		
Discharge current capacity	5000 A (8 / 20 μsec.)		
Max. load current	100 mA		
Internal series resist.	20 Ω ±10 % including return		

POINTS OF CAUTION**■ CONFORMITY WITH EC DIRECTIVES**

- This equipment is suitable for use in a Pollution Degree 2 environment and in Installation Category II. Reinforced insulation (surge protector circuit to power: 300 V) is maintained. Prior to installation, check that the insulation class of this unit satisfies the system requirements.
- The equipment must be mounted inside a suitable fire enclosure.
- Altitude up to 2000 meters
- The equipment must be installed such that appropriate clearance and creepage distances are maintained to conform to CE requirements. Failure to observe these requirements may invalidate the CE conformance.

■ POWER INPUT RATING & OPERATIONAL RANGE

- Locate the power input rating marked on the product and confirm its operational range as indicated below:

100 – 240 V AC rating: 85 – 264 V, 47 – 66 Hz, ≥ 4.6 VA

24 V DC rating: 24 V ±10%, ≥ 1.7 W

110 V DC rating: 85 – 150 V, ≥ 1.7 W

■ GENERAL PRECAUTIONS

- Before you remove the unit from its base socket or mount it, turn off the power supply for safety.

■ ENVIRONMENT

- Indoor use
- When heavy dust or metal particles are present in the air, install the unit inside proper housing with sufficient ventilation.
- Do not install the unit where it is subjected to continuous vibration. Do not apply physical impact to the unit.
- Environmental temperature must be within -20 to +70°C (-4 to 158°F) with relative humidity within 10 to 90% RH in order to ensure adequate life span and operation.
- Be sure that the ventilation slits are not covered with cables, etc.

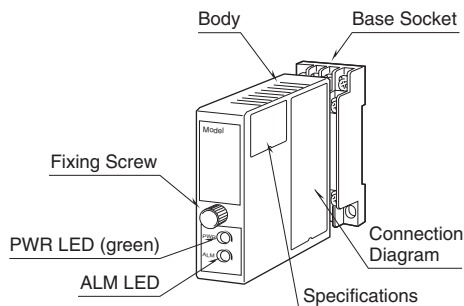
■ WIRING

- Remove the wiring to the ground terminals (6 or 9) before conducting an insulation test. Otherwise the element will start discharging at voltage protection level, which will be judged as insulation failure. Be sure to secure the wiring after the testing is complete. Incomplete wiring can actually cause lightning intrusion.
- Do not install cables close to noise sources (relay drive cable, high frequency line, etc.).
- Do not bind these cables together with those in which noises are present. Do not install them in the same duct.

■ AND

- The unit is designed to function as soon as power is supplied, however, a warm up for 10 minutes is required for satisfying complete performance described in the data sheet.
- We recommend that you keep spare surge protectors so that you can replace them when necessary.
- Lightning surge can enter not only through signal lines but also through power supply lines. We recommend that you also use the surge protectors for power line for sufficient protection.

COMPONENT IDENTIFICATION



PWR LED (green)

The green LED turns on while the power is supplied. The LED turns off and the alarm output is turned on when the power supply is removed.

ALM LED

The tricolor LED turns off, then on in green, amber, and red according to the unit status.

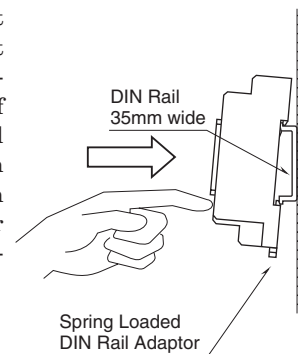
- 1) Remains OFF when the power supply is first turned on.
- 2) Green: The unit has received one or more surges. (The LED does not turn on when the power is not supplied.)
- 3) Amber: Replacement is recommended.
- 4) Red: The life span has ended. Replace the unit immediately. The alarm output is turned on.

INSTALLATION

Loosen the fixing screw at the front of the unit in order to separate the body from the base socket.

■ DIN RAIL MOUNTING

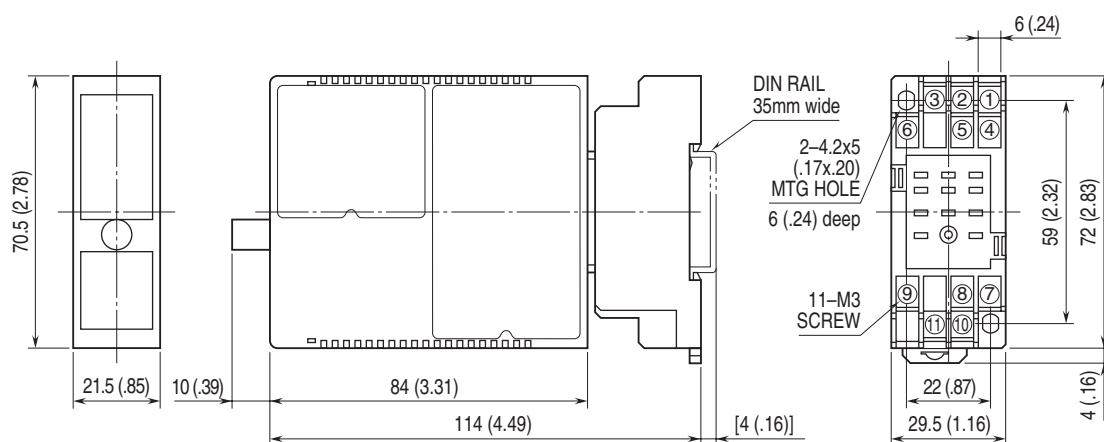
Set the base socket such that its DIN rail adaptor is at the bottom. Position the upper hook at the rear side of base socket on the DIN rail and push in the lower. When removing the socket, push down the DIN rail adaptor utilizing a minus screwdriver and pull.



■ WALL MOUNTING

Refer to "EXTERNAL DIMENSIONS."

EXTERNAL DIMENSIONS unit: mm (inch)



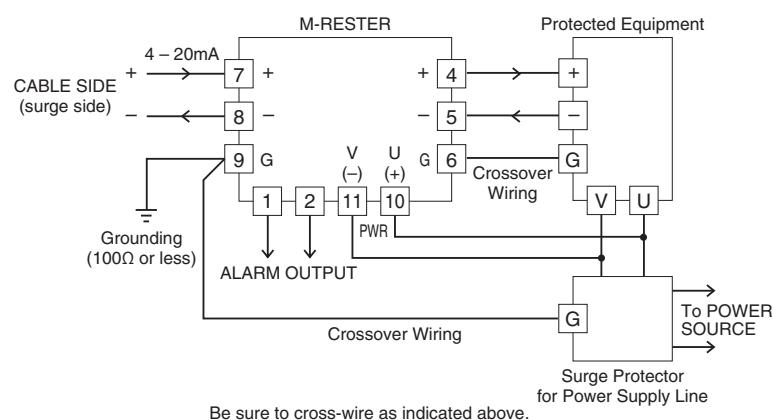
• When mounting, no extra space is needed between units.

TERMINAL CONNECTION

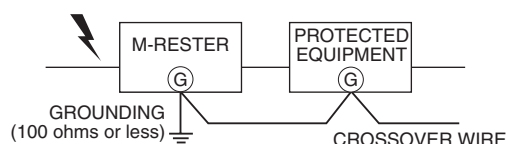
Connect the unit as in the diagram below or refer to the connection diagram on the side of the unit.

Be sure to make cross-wiring as shown in “GROUNDING”. If the protected equipment is not provided with a G terminal, ground only this unit’s G terminal.

■ CONNECTION



GROUNDING



A crossover wire between M-RESTER ground and the ground or metallic housing of the equipment is required for protection. If the protected equipment has no ground terminal, ground the M-RESTER only.

CHECKING

- 1) Terminal wiring: Check that all cables are correctly connected according to the connection diagram.
- 2) Power input voltage: Check voltage across terminals 10 – 11 with a multimeter.

MAINTENANCE

While the ALM LED is green, regular inspections are recommended.

When it turns amber, replacement of the unit is recommended.

When it turns and remains red, replace the unit immediately.

CAUTION !

Before replacing the unit, make sure to turn off the power supply for safety. Other factors such like an alarm system connected to the line should also be considered.

The life monitoring circuit remains alive by the internal backup circuit even when the external power supply is removed. The LED is turned off in that case.