

BEFORE USE

Thank you for choosing M-System. Before use, please check contents of the package you received as outlined below. If you have any problems or questions with the product, please contact M-System's Sales Office or representatives.

■ **PACKAGE INCLUDES:**

Terminal block.....(1)

■ **MODEL NO.**

Confirm Model No. marking on the product to be exactly what you ordered.

■ **INSTRUCTION MANUAL**

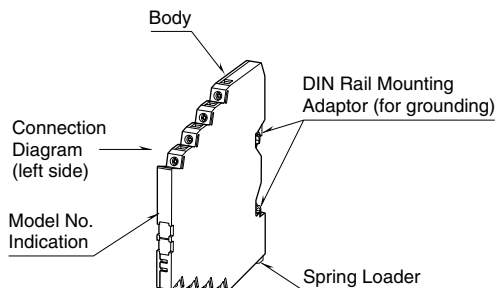
This manual describes necessary points of caution when you use this product, including installation and connection.

POINTS OF CAUTION

■ **ENVIRONMENT**

- Indoor use.
- When heavy dust or metal particles are present in the air, install the unit inside proper housing with sufficient ventilation.
- Do not install the unit where it is subjected to continuous vibration. Do not subject the unit to physical impact.
- Environmental temperature must be within -25 to +85°C (-13 to +185°F) with relative humidity within 30 to 90% RH in order to ensure adequate life span and operation.
- This unit needs a DIN rail as earth grounding bar. Oxide coating of an aluminium rail may lower the electric conductivity between this module and the ground. Use a steel or copper rail.

COMPONENT IDENTIFICATION

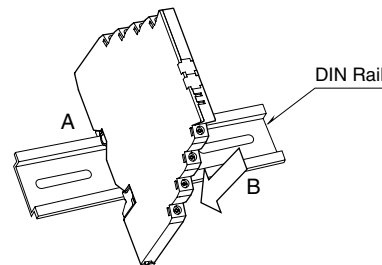


INSTALLATION

Mount the unit on a DIN rail. Once installed, do not move it to another DIN rail.

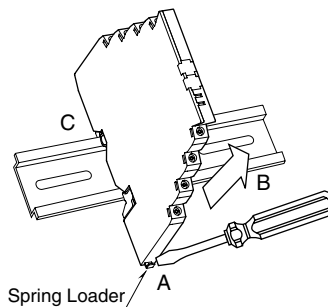
■ **MOUNTING THE UNIT ON A DIN RAIL**

- A) Hang the upper hook of the DIN rail mounting adaptor at the rear side of unit, on the DIN rail.
- B) Push in the lower in keeping pressing the unit to the DIN rail.
- C) DIN rails generally have slight individual variability in size. If you find it difficult to push in the lower part, go back to (A) and hang the upper part more deeply onto the rail and try (B) again.



■ **REMOVING THE UNIT**

- A) Push down the spring loader utilizing a minus screwdriver.
- B) Confirm that it is pulled enough down and pull out the lower part of the unit.
- C) Detach the upper part from the DIN rail.



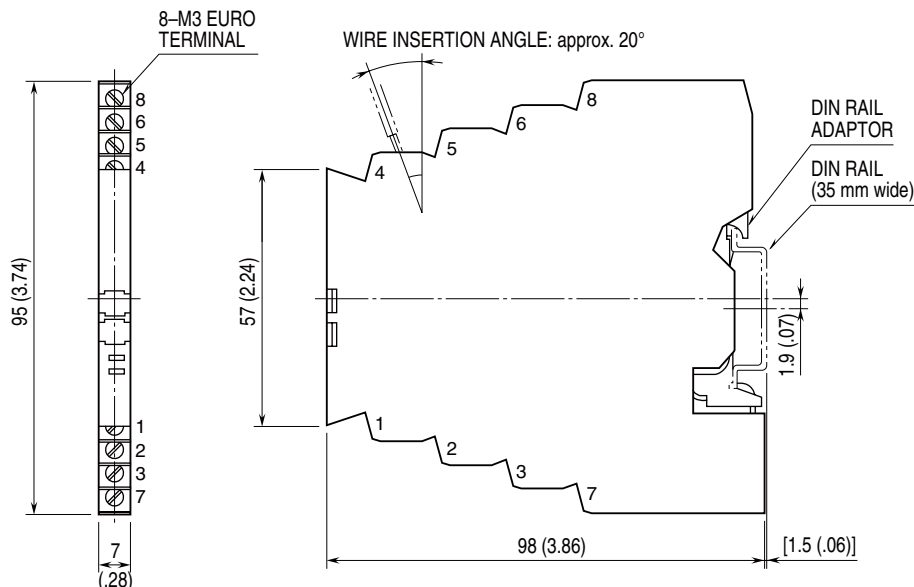
TERMINAL CONNECTION

Connect the unit as in the diagram below.

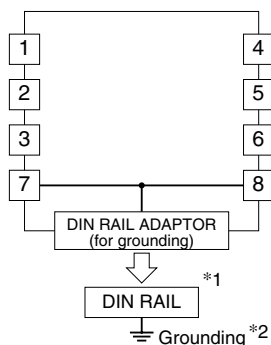
Be sure to ground the DIN rail on which the unit is mounted.

This unit, designed to connect shield wires and cross wires of the protected devices to a DIN rail, is NOT used to ground the DIN rail.

EXTERNAL DIMENSIONS unit: mm (inch)



CONNECTION DIAGRAM



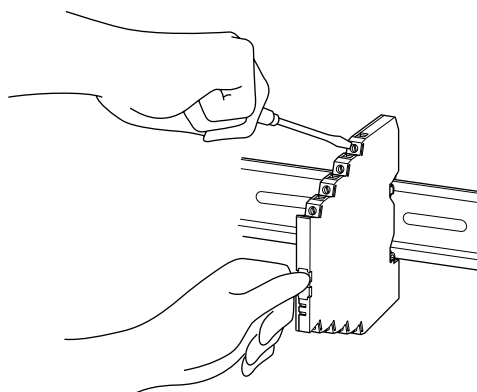
DO NOT connect to unused terminals.

*1. Oxide coating of an aluminium rail may lower the electric conductivity between this module and the ground. Use a steel or copper rail.

*2. Be sure to ground the DIN rail.

Recommended grounding resistance $\leq 100\Omega$

CAUTION WHEN WIRING



Hold the module steady at the front when you tighten/loosen screw terminals.

WIRING INSTRUCTIONS

EURO TERMINAL

Torque: 0.3 N·m

Applicable wire size: 0.2 – 2.5 mm²

Stripped length: 8 mm