

■ WIRING

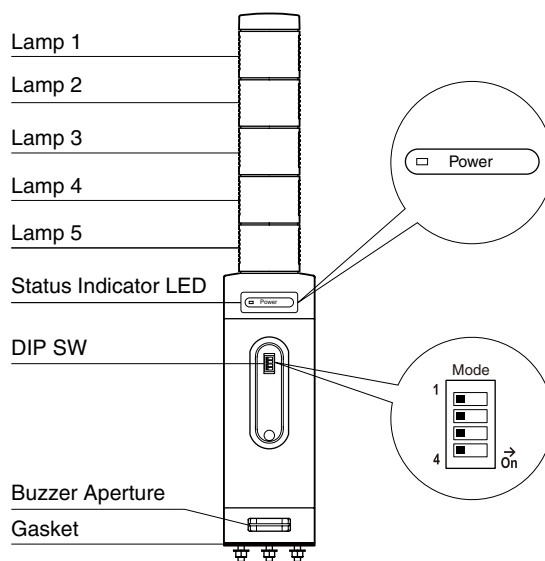
- Do not install cables close to noise sources (relay drive cable, high frequency line, etc.).
- Do not bind these cables together with those in which noises are present. Do not install them in the same duct.

■ AND

- The unit is designed to function as soon as power is supplied, however, a warm up for 10 minutes is required for satisfying complete performance described in the data sheet.

COMPONENT IDENTIFICATION

■ FRONT VIEW (with the cover open)



■ STATUS INDICATOR LED

ID	COLOR	FUNCTION
Power	Green	Turns on when the power is supplied normally.

■ OPERATING MODE

(*) Factory setting

• Lamp blinking frequency

Mode-1	LAMP BLINKING FREQUENCY
OFF	Approx. 2 Hz (*)
ON	Approx. 10 Hz

• Buzzer intermittent frequency

Mode-2	BUZZER INTERMITTENT FREQUENCY
OFF	Approx. 10 Hz (*)
ON	Continuance

• Buzzer volume

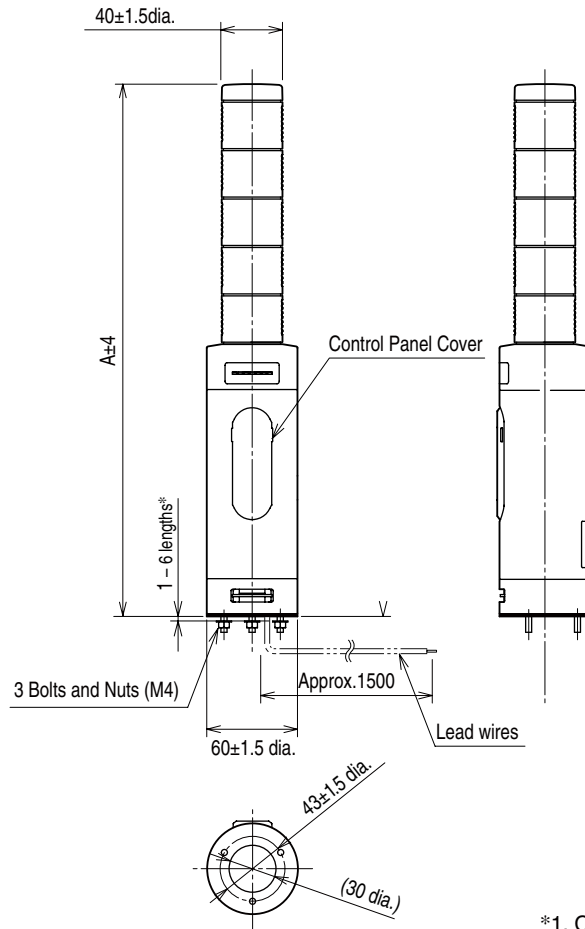
Mode-3	Mode-4	BUZZER VOLUME
OFF	OFF	Quiet (*)
OFF	ON	Middle
ON	OFF	Loud
ON	ON	Maximum

Note: Blinking of lamps and intermittent of buzzer are not synchronized.

TERMINAL CONNECTIONS

Connect the unit as in the diagram below.

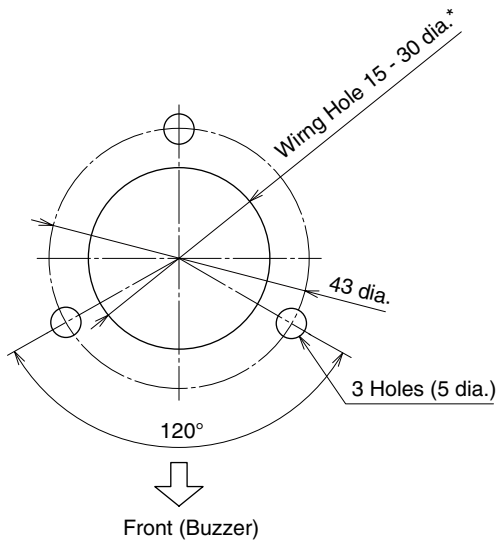
EXTERNAL DIMENSIONS unit: mm



Lamp Layers	A
1	224
2	256
3	288
4	320
5	352

*1. Consult M-System for other bolt length.

MOUNTING REQUIREMENTS unit: mm



*Protect wires to prevent scratching them at the edge of the compartment.

■ CONNECTION DIAGRAM

■ DC POWER

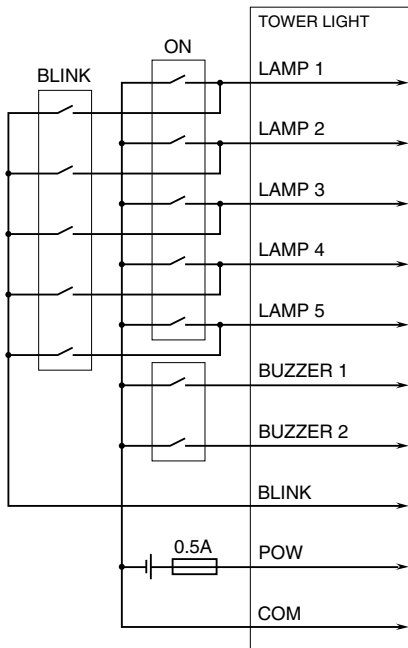
INPUT	LAMP 1 INPUT	Red*2	LAMP 1*1
	LAMP 2 INPUT	Amber*2	LAMP 2*1
	LAMP 3 INPUT	Green*2	LAMP 3*1
	LAMP 4 INPUT	Blue*2	LAMP 4*1
	LAMP 5 INPUT	White*2	LAMP 5*1
	BUZZER INPUT 1 2Hz	Purple	BUZZER 1
	BUZZER INPUT 2 10Hz or contin.	Cyan	BUZZER 2
	LAMP BLINK INPUT	Brown	BLINK
	POWER	Gray	POW
	LAMP , BUZZER COM	Orange	COM

*1. Example of 5 layers in order: red, amber, green, blue and white.
Lamp and wire color are the same.

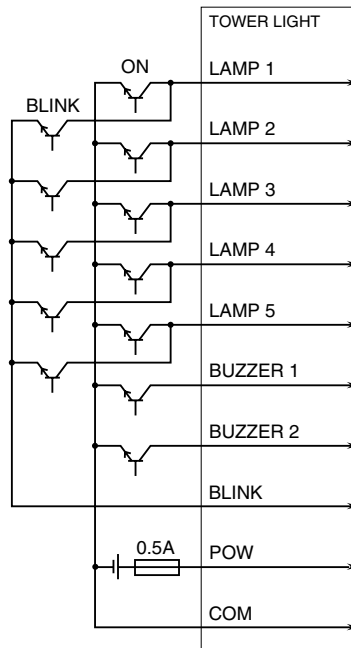
*2. When selecting the same color for more than one layer, cable colors
comply with ordering information sheet.

■ WIRING TO INPUT SIGNAL

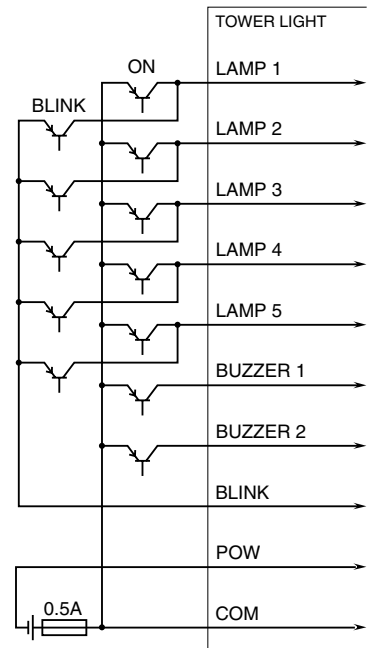
• Contact input e.g.



•NPN input e.g.



•PNP input e.g.



Note 1: Do not set lamp ON input to "On" and BLINK input to "Blink" at the same time whatsoever, it might result in shortcircuit.

■ AC POWER

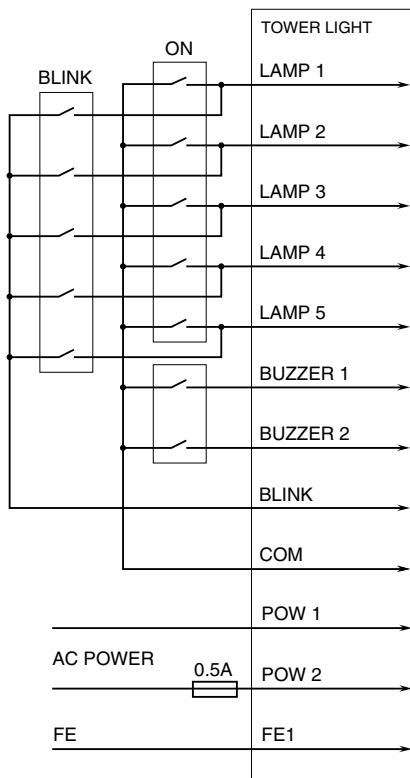
INPUT	LAMP 1 INPUT	Red*2	LAMP 1*1
	LAMP 2 INPUT	Amber*2	LAMP 2*1
	LAMP 3 INPUT	Green*2	LAMP 3*1
	LAMP 4 INPUT	Blue*2	LAMP 4*1
	LAMP 5 INPUT	White*2	LAMP 5*1
	BUZZER INPUT 1 2Hz	Purple	BUZZER 1
	BUZZER INPUT 2 10Hz or contin.	Cyan	BUZZER 2
	LAMP BLINK INPUT	Brown	BLINK
	LAMP, BUZZER COM	Orange	COM
	POWER		Gray
		Black	POW 2
FE	Green/Yellow	FE1	

*1. Example of 5 layers in order: red, amber, green, blue and white.
Lamp and wire color are the same.

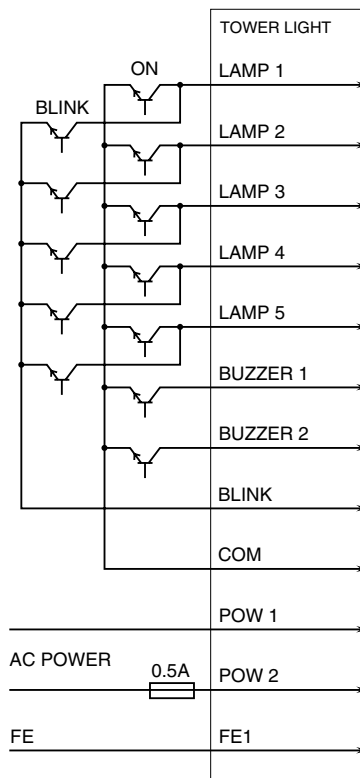
*2. When selecting the same color for more than one layer, cable colors comply with ordering information sheet.

■ WIRING TO INPUT SIGNAL

• Contact input e.g.



•NPN input e.g.



Note 1: Do not set lamp ON input to "On" and BLINK input to "Blink" at the same time whatsoever, it might result in shortcircuit.

Note 2: In order to improve EMC performance, bond the FE1 terminal to ground.

Caution: FE1 terminal is NOT a protective conductor terminal.