

DIN RAIL MOUNTING ADAPTER	MODEL A-34
----------------------------------	-------------------

BEFORE USE

Thank you for choosing M-System. Before use, please check contents of the package you received as outlined below. If you have any problems or questions with the product, please contact M-System’s Sales Office or representatives.

■ PACKAGE INCLUDES:

MODEL NO.	A-34	A-34/26	A-34/27	A-34/6DV	A-34/266	A-34/276
PACKING LIST						
DIN rail mounting adaptor	W45 × H75 × D11 mm, 1 pc.					
Screw	M4 × 35, 2 pcs.	M4 × 25, 2 pcs.	M4 × 20, 2 pcs.	M4 × 16, 2 pcs.		
Nut	M4, 2 pcs.					
Spring washer	M4, 2 pcs.					
Spacer	----			Space 14.5 mm 2 pcs.	Space 12 mm 2 pcs.	Space 15 mm 2 pcs.
Wire	----			Pin connector / Pin connector 150 mm, 1 pc.		Pin connector / Spade tongue 150 mm, 1 pc.

■ INSTRUCTION MANUAL

This manual describes necessary points of caution when you use this product.

POINTS OF CAUTION

■ GENERAL PRECAUTIONS

- Before you install or remove this adaptor, turn off the power supply and input signal to the adapted device for safety.

■ ENVIRONMENT

- Indoor use
- When heavy dust or metal particles are present in the air, install the product inside a proper housing with sufficient ventilation.
- Do not install the product where it is subjected to continuous vibration. Do not apply physical impact to the product.
- Environmental temperature must be within -40 to +85°C (-40 to +185°F; limited within the range described for the adapted device) with relative humidity within 0 to 90% RH in order to ensure adequate life span and operation.

INSTALLATION

The A-34 allows the adapted transmitter/indicator to be mounted on a DIN rail.

Use the spacer screws to attach the 26-UNIT (option /266) or 27-UNIT (option /276) transmitter to the A-34 (spacer torque 0.8 N·m, screw torque 0.8 N·m).

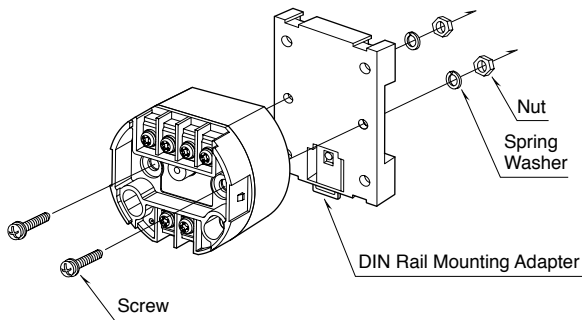
The spacer screws may be loosened when loosening the mounting screws on the 6DV indicator connected to the 26-UNIT or 27-UNIT transmitter via the spacer. Confirm that the spacer screws are tightened before tightening the 6DV indicator. If it is difficult to loosen only the mounting screws because of both screws turning together, detach them together first and then loosen the mounting screws only by holding the spacer screw from behind.

Use the wire included in the package to connect between the 26-UNIT or 27-UNIT transmitter and the 6DV indicator. For more information, refer to the connection diagram for the 6DV.

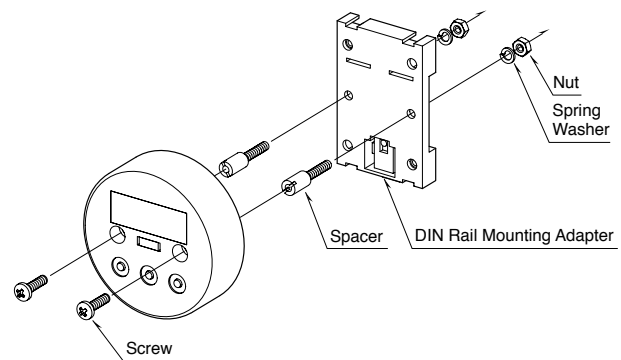
■ HOW TO ATTACH THE ADAPTER

Attach the transmitter/indicator to the adaptor with screws/spacers included in the product package.

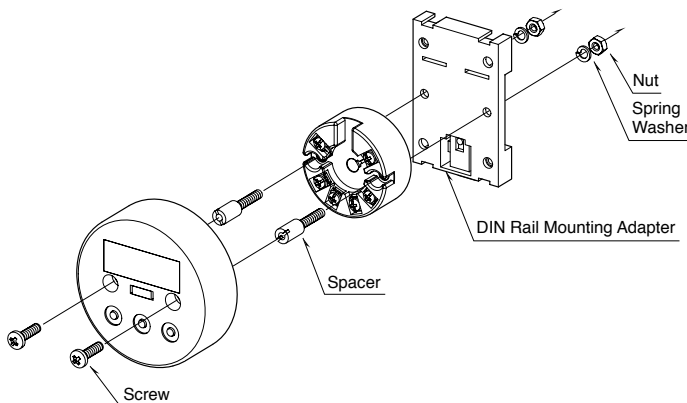
• A-34



• A-34/6DV

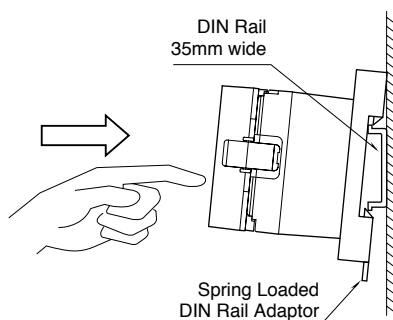


• A-34/276



■ HOW TO MOUNT THE ADAPTER TO THE DIN RAIL

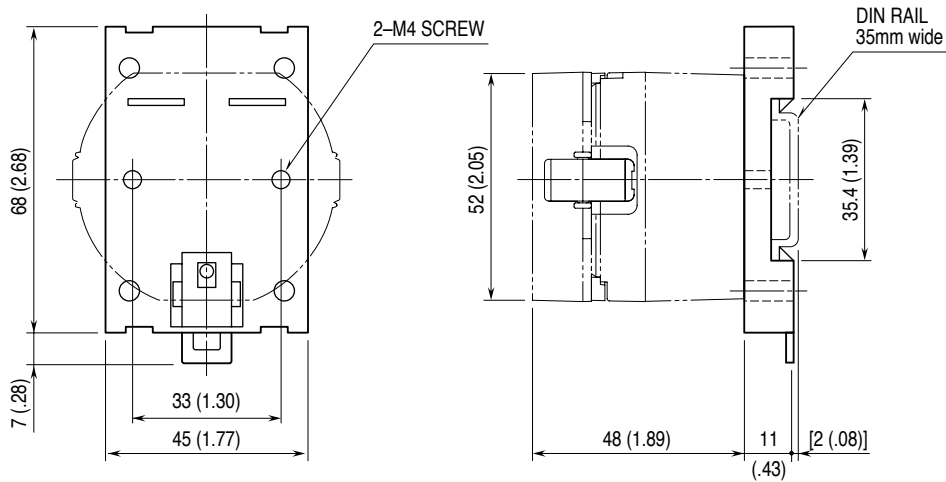
Set the DIN Rail Mounting Adapter so that its DIN rail adaptor is at the bottom. Position the upper hook at the rear side of the module on the DIN rail and push in the lower. When removing the product, push down the DIN rail adaptor utilizing a minus screwdriver and pull.



EXTERNAL DIMENSIONS unit: mm (inch)

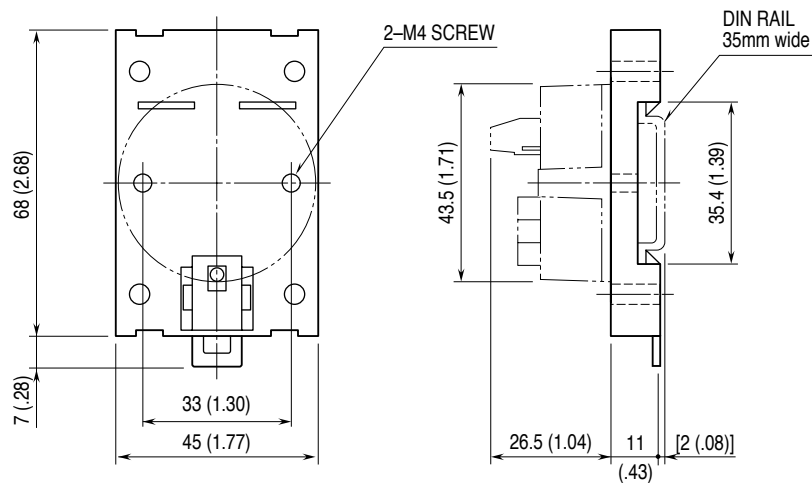
Adjust positions of the screws to attach the DIN rail to the wall surface so that they do not interfere with the screws to attach the transmitter/indicator to the adapter.

■ MOUNTING MODEL B6U TO DIN RAIL (model: A-34)

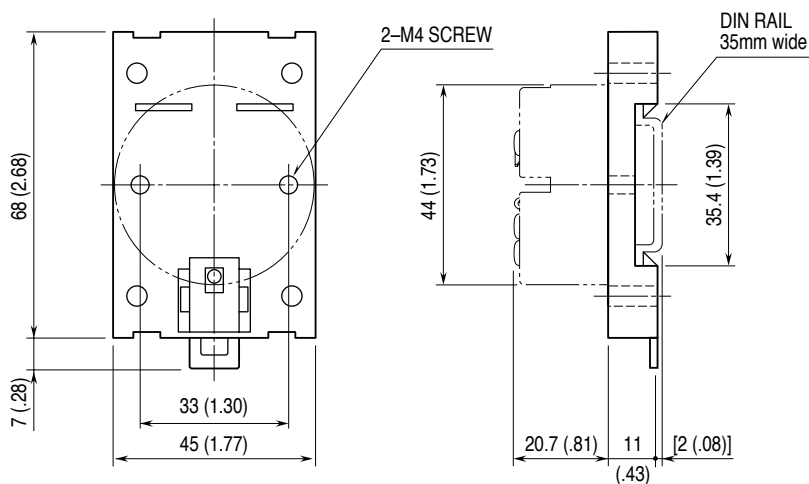


Leave enough space at both sides of the module to reach the side levers when installing/removing the LCD module.

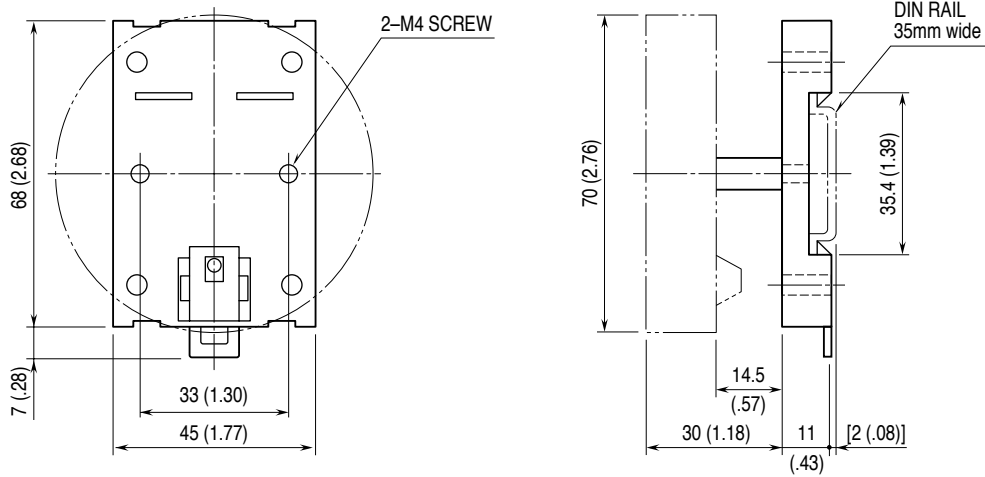
■ MOUNTING THE 26-UNIT TO DIN RAIL (model: A-34/26)



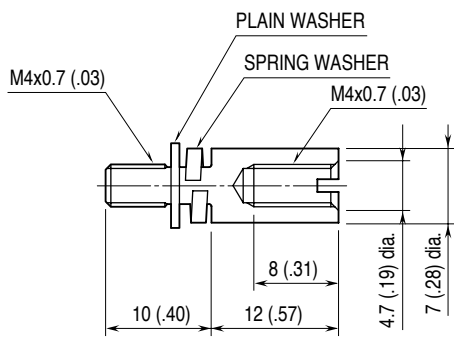
■ MOUNTING THE 27-UNIT TO DIN RAIL (model: A-34/27)



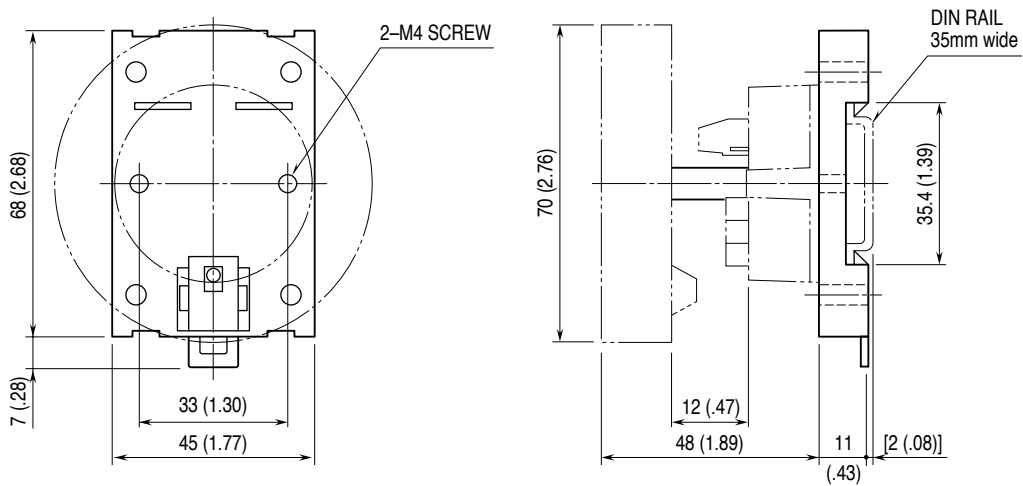
■ MOUNTING MODEL 6DV TO DIN RAIL (model: A-34/6DV)



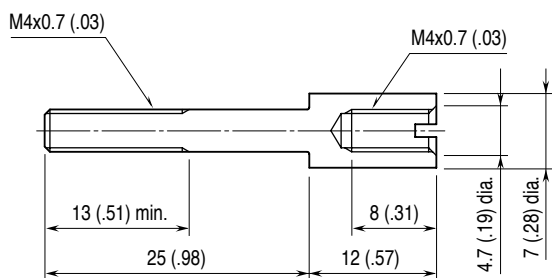
• SPACER



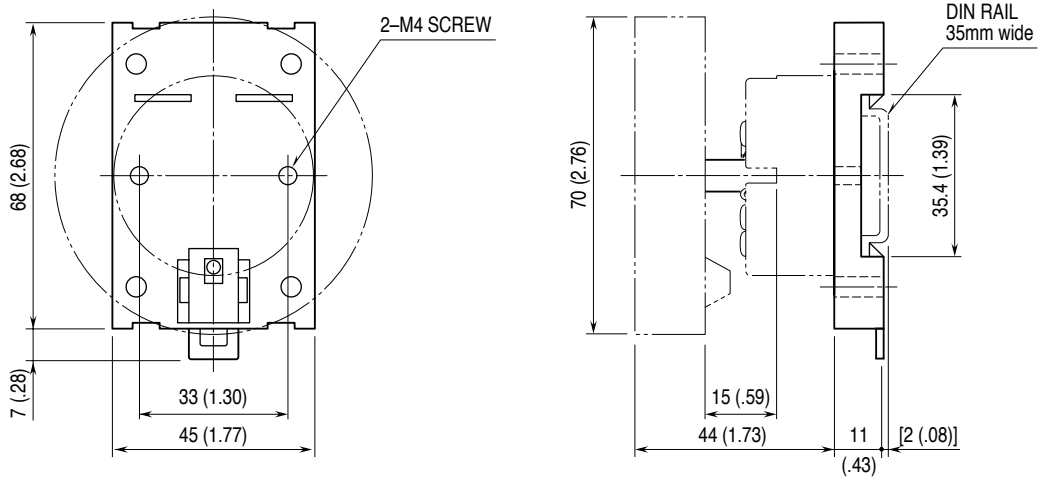
■ MOUNTING THE 26-UNIT + 6DV TO DIN RAIL (model: A-34/266)



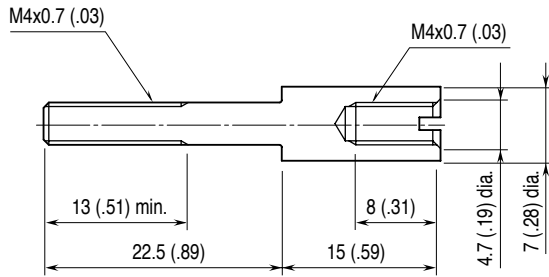
• SPACER



■ MOUNTING THE 27-UNIT + 6DV TO DIN RAIL (model: A-34/276)



• SPACER



M-SYSTEM WARRANTY

M-System warrants such new M-System product which it manufactures to be free from defects in materials and workmanship during the 36-month period following the date that such product was originally purchased if such product has been used under normal operating conditions and properly maintained, M-System's sole liability, and purchaser's exclusive remedies, under this warranty are, at M-System's option, the repair, replacement or refund of the purchase price of any M-System product which is defective under the terms of this warranty. To submit a claim under this warranty, the purchaser must return, at its expense, the defective M-System product to the below address together with a copy of its original sales invoice.

THIS IS THE ONLY WARRANTY APPLICABLE TO M-SYSTEM PRODUCT AND IS IN LIEU OF ALL OTHER WARRANTIES, EXPRESS OR IMPLIED, INCLUDING ANY IMPLIED WARRANTIES OF MERCHANTABILITY OR FITNESS FOR A PARTICULAR PURPOSE. M-SYSTEM SHALL HAVE NO LIABILITY FOR CONSEQUENTIAL, INCIDENTAL OR SPECIAL DAMAGES OF ANY KIND WHATSOEVER.

M-System Co., Ltd., 5-2-55, Minamitsumori, Nishinari-ku, Osaka 557-0063 JAPAN, Phone: (06) 6659-8201, Fax: (06) 6659-8510, E-mail: info@m-system.co.jp