

Thank you for choosing M-System. Before use, check model number and specifications marked on the product.

If you have any problems or questions with the product, please contact M-System's Sales Office or representatives.

DESCRIPTIONS

The 38N-5 is a DCS-front-end use relay card installed in a dedicated 19-inch rack, used to convert a field SW signal into a DCS input.

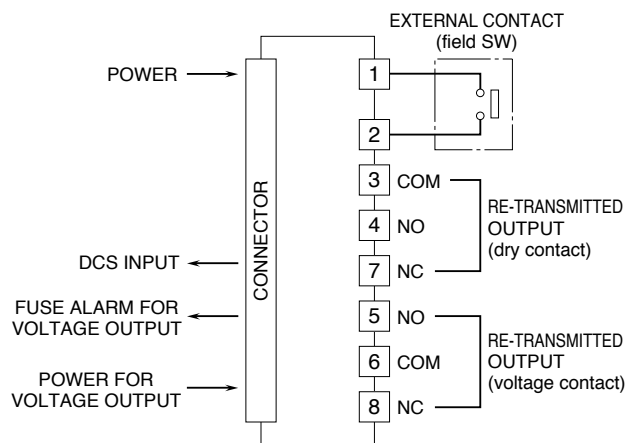
- Contact input
- Two re-transmitted outputs (dry contact and voltage contact)
- Test switch useful for the DCS debugging and test running
- 0.5A fuse for the voltage output

INSTALLATION

- Operating temperature: -5 to +55°C (23 to 131°F)
 - Operating humidity: 30 to 90% RH (non-condensing)
- Keep away from water, corrosive gases, dust particles and vibration.
Dedicated Standard Rack (model: 38N-Bx) is required.

TERMINAL CONNECTIONS

Connect the unit as in the diagram below.



CHECKING

- 1) Terminal wiring: Check that all cables are correctly connected according to the connection diagram.
- 2) Check the input signal across the terminal 1 – 2.
- 3) With the test switch at ON position, confirm that the front LED turns on.
- 4) With the test switch at AUTO position, confirm that the LED turns on when the input signal across the terminal 1 – 2 is provided.

M-SYSTEM WARRANTY

M-System warrants such new M-System product which it manufactures to be free from defects in materials and workmanship during the 36-month period following the date that such product was originally purchased if such product has been used under normal operating conditions and properly maintained, M-System's sole liability, and purchaser's exclusive remedies, under this warranty are, at M-System's option, the repair, replacement or refund of the purchase price of any M-System product which is defective under the terms of this warranty. To submit a claim under this warranty, the purchaser must return, at its expense, the defective M-System product to the below address together with a copy of its original sales invoice.

THIS IS THE ONLY WARRANTY APPLICABLE TO M-SYSTEM PRODUCT AND IS IN LIEU OF ALL OTHER WARRANTIES, EXPRESS OR IMPLIED, INCLUDING ANY IMPLIED WARRANTIES OF MERCHANTABILITY OR FITNESS FOR A PARTICULAR PURPOSE. M-SYSTEM SHALL HAVE NO LIABILITY FOR CONSEQUENTIAL, INCIDENTAL OR SPECIAL DAMAGES OF ANY KIND WHATSOEVER.

M-System Co., Ltd., 5-2-55, Minamitsumori, Nishinari-ku, Osaka 557-0063 JAPAN, Phone: (06) 6659-8201, Fax: (06) 6659-8510, E-mail: info@m-system.co.jp