

OUTPUT RELAY CARD

MODEL **38F2-5**

BEFORE USE

Thank you for choosing M-System. Before use, check the package you received as below.
If you have any problems or questions with the product, please contact M-System's Sales Office or representatives.

■ **PACKAGE INCLUDES:**

Relay Card(1)

■ **MODEL NO.**

Confirm that the model number described on the product is exactly what you ordered.

■ **INSTRUCTION MANUAL**

This manual describes necessary points of caution when you use this product, installation, connection and basic maintenance procedures.

POINTS OF CAUTION

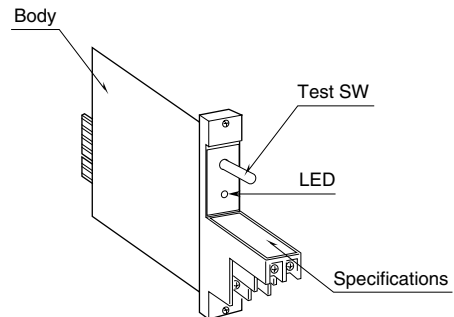
■ **ENVIRONMENT**

- Indoor use
- When heavy dust or metal particles are present in the air, install the unit inside proper housing and ventilate it.
- Do not install the unit where it is subjected to continuous vibration. Do not apply physical impact to the unit.
- Environmental temperature must be within -5 to +55°C (23 to 131°F) with relative humidity within 30 to 90% RH in order to ensure adequate life span and operation.

■ **WIRING**

- Do not install cables (power supply, input and output) close to noise sources (relay drive cable, high frequency line, etc.).
- Do not bind these cables together with those in which noises are present. Do not install them in the same duct.

COMPONENT IDENTIFICATION



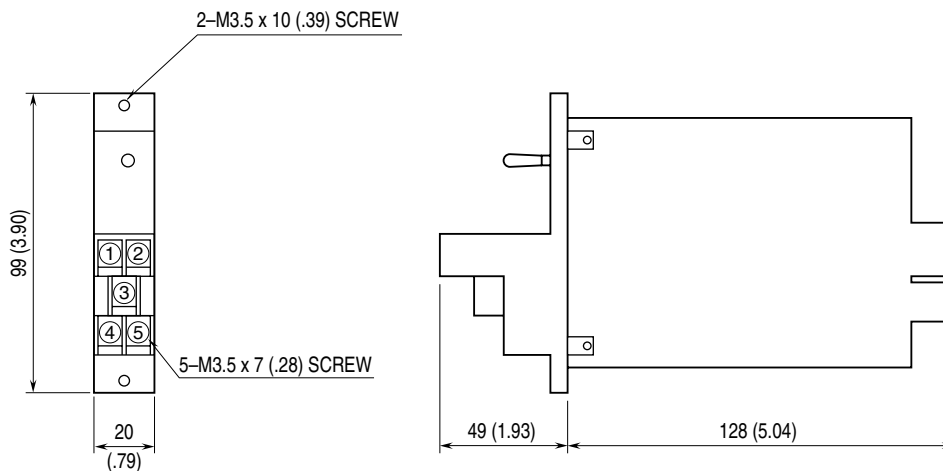
INSTALLATION

Use Standard Rack model 38D2-B.

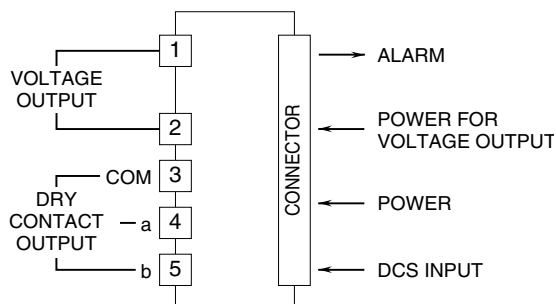
TERMINAL CONNECTIONS

Connect the unit as in the diagram below.

■ DIMENSIONS mm (inch)



■ CONNECTION DIAGRAM



CHECKING

- 1) Terminal wiring: Check that all cables are correctly connected according to the connection diagram.
- 2) Relay operation: Check relations between the input and output signals.
- 3) Voltage output: When powering the voltage output from

TEST SW	INPUT	LED	OUTPUT		
			1 - 2*	3 - 4*	3 - 5*
AUTO	OFF	OFF	OFF	OFF	ON
AUTO	ON	ON	ON	ON	OFF
OFF	—	OFF	OFF	OFF	ON
ON	—	ON	ON	ON	OFF

*Front terminal No.

a DC source, insert the internal jumper pin into "CLOSE" side to connect spark quenching diode.