

INPUT RELAY CARD	model 38BIS8
-------------------------	---------------------

Thank you for choosing M-System. Before use, check specifications on the product label.

If you have any problems or questions with the product, please contact M-System's Sales Office or representatives.

General Description

The 38-Rack Model 38BIS8 is space-saving input relay card.

- Operation monitor LED
- Test switch with AUTO positioned at the center
- 2 channels incorporated: each contains relay contact outputs for DCS and re-transmitted signal.

Installation

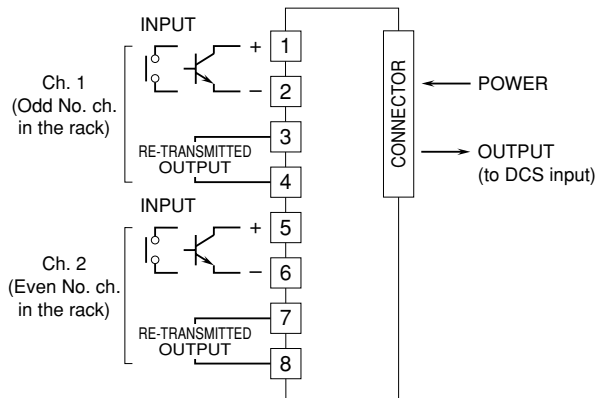
- Operating temperature: -5 to +55°C (23 to 131°F)
 - Operating humidity: 30 to 90% RH (non-condensing)
- Keep away from water, corrosive gases, dust particles and vibration. Relay Rack (model: 38B□) is required.

Terminal Connections

Wiring diagram to the 38BIS8 terminals is as shown below. For switching the jumpers (JP11, JP12, JP21, JP22), refer to the Output Operations table.

N.O. contact: Close across C – A.

N.C. contact: Close across C – B.



Output Operations

Input and Switch Position		LED	Jumper Pin Position	
			C – A	C – B
AUTO	Input ON	ON	ON	OFF
	Input OFF	OFF	OFF	ON
OFF		OFF	OFF	ON
ON		ON	ON	OFF

Checking

- A) Terminal wiring
- B) Input signal
- C) Turn the Test SW ON and OFF. Confirm the relay and LED operations according to the Output Operations Table.
- D) Set the Test Switch to AUTO position. Confirm the relay and LED operations according to the Output Operations Table.
- E) For driving an inductive load, external measures to protect the contacts and to prevent noise interference are recommended.

M-SYSTEM WARRANTY

M-System warrants such new M-System product which it manufactures to be free from defects in materials and workmanship during the 36-month period following the date that such product was originally purchased if such product has been used under normal operating conditions and properly maintained, M-System's sole liability, and purchaser's exclusive remedies, under this warranty are, at M-System's option, the repair, replacement or refund of the purchase price of any M-System product which is defective under the terms of this warranty. To submit a claim under this warranty, the purchaser must return, at its expense, the defective M-System product to the below address together with a copy of its original sales invoice.

THIS IS THE ONLY WARRANTY APPLICABLE TO M-SYSTEM PRODUCT AND IS IN LIEU OF ALL OTHER WARRANTIES, EXPRESS OR IMPLIED, INCLUDING ANY IMPLIED WARRANTIES OF MERCHANTABILITY OR FITNESS FOR A PARTICULAR PURPOSE. M-SYSTEM SHALL HAVE NO LIABILITY FOR CONSEQUENTIAL, INCIDENTAL OR SPECIAL DAMAGES OF ANY KIND WHATSOEVER.

M-System Co., Ltd., 5-2-55, Minamitsumori, Nishinari-ku, Osaka 557-0063 JAPAN, Phone: (06) 6659-8201, Fax: (06) 6659-8510, E-mail: info@m-system.co.jp