

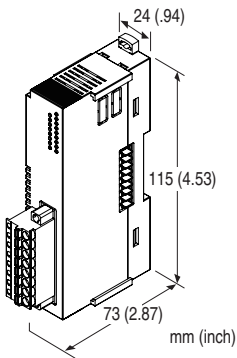
Remote I/O R8 Series

RELAY OUTPUT MODULE

(4 points, Tension clamp terminal block)

Functions & Features

- 4 channels for relay output, compact size remote I/O module
- 8 pins tension clamp connector



MODEL: R8-DCT4D[1]

ORDERING INFORMATION

- Code number: R8-DCT4D[1]
- Specify a code from below for [1].
(e.g. R8-DCT4D/Q)
- Specify the specification for option code /Q
(e.g. /C01)

[1] OPTIONS

blank: none

/Q: With options (specify the specification)

SPECIFICATIONS OF OPTION: Q

COATING (For the detail, refer to M-System's web site.)

/C01: Silicone coating

/C02: Polyurethane coating

RELATED PRODUCTS

- PC configurator software (model: R8CFG)

Downloadable at M-System's web site.

A dedicated cable is required to connect the module to the PC. Please refer to the internet software download site or the users manual for the PC configurator for applicable cable types.

GENERAL SPECIFICATIONS

Connection

- **Output:** Tension clamp
Applicable wire size: 0.2 - 2.5 mm²
Stripped length: 10 mm

- **Excitation supply, internal bus:**
Connected to internal bus connector
- **Internal power:** Via bus connector

Isolation: Output 1 to output 2 to output 3 to output 4 to exc. supply to internal bus or internal power

Module address: With DIP switch

Output at the loss of communication: Selectable with the side DIP SW

Terminating resistor: Built-in (DIP Switch, default: disable)

Status indicator: Bi-color (red/green) LED; Refer to the instruction manual.

Discrete output status indicators: Green LED; Refer to the instruction manual.

OUTPUT SPECIFICATIONS

Output: Relay contact 4 points

Output common: Common per one point (4 terminals)

Maximum load current: 2 A per point

Rated load: 250 V AC @2 A (cos ϕ = 1)
30 V DC @2 A (resistive load)

Maximum switching voltage: 250 V AC or 30 V DC

Maximum switching power: 500 VA or 60 W

Minimum load: 5 V DC @1 mA

Mechanical life: 2×10^7 cycles (rate 300/min.)

When driving an inductive load, external contact protection and noise quenching are recommended.

ON delay: ≤ 10 msec.

OFF delay: ≤ 10 msec.

INSTALLATION

Max. current consumption: 100 mA

Exc. supply current consumption: 40 mA

Operating temperature: -10 to +55°C (14 to 131°F)

Operating humidity: 30 to 90 %RH (non-condensing)

Atmosphere: No corrosive gas or heavy dust

Mounting: DIN rail

Weight: 120 g (0.26 lb)

PERFORMANCE

Data allocation: 1

Module addresses in use: 1

Insulation resistance: ≥ 100 M Ω with 500 V DC

Dielectric strength:

1500 V AC @ 1 minute (output 1 to output 2 to output 3 to output 4 to exc. supply to internal bus or internal power to ground)

STANDARDS & APPROVALS

EU conformity:

EMC Directive

EMI EN 61000-6-4

EMS EN 61000-6-2

Low Voltage Directive

EN 61010-1, EN 61010-2-201

Measurement Category II (output)

Pollution Degree 2

Output to exc. supply or internal bus or internal power:

Basic insulation (250 V)

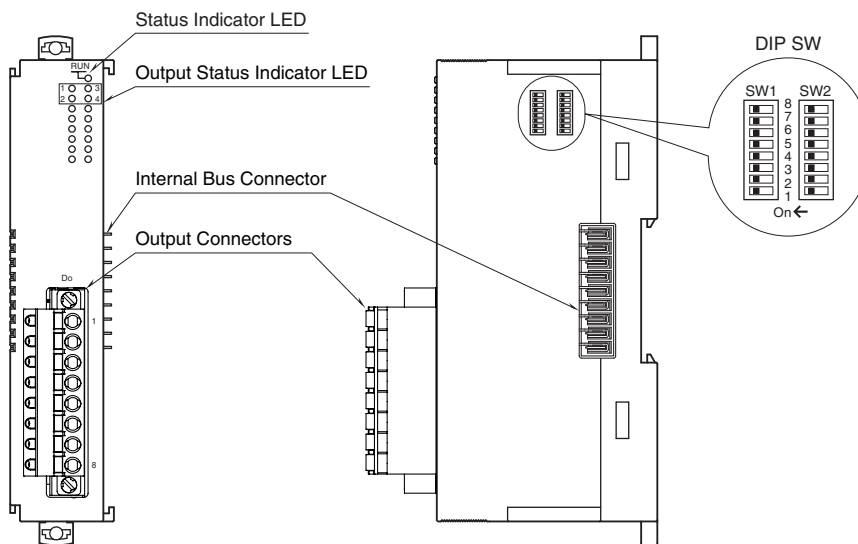
RoHS Directive

EN 50581

EXTERNAL VIEW

■ FRONT VIEW

■ SIDE VIEW



OPERATING MODE SETTING

(*) Factory setting

Caution ! - SW2-1 through 2-7 are unused. Be sure to turn off unused ones.

■ Module Address

The SW1-1, SW1-2, SW1-3, SW1-4 determines the tenth place digit, while the SW1-5, SW1-6, SW1-7, SW1-8 does the ones place digit of the address.

Address is selected between 0 to 31.

(Factory setting: 0)

MODULE ADDRESS	SW1				
	×10	1	2	3	4
	×1	5	6	7	8
0		OFF	OFF	OFF	OFF
1		OFF	OFF	OFF	ON
2		OFF	OFF	ON	OFF
3		OFF	OFF	ON	ON
4		OFF	ON	OFF	OFF
5		OFF	ON	OFF	ON
6		OFF	ON	ON	OFF
7		OFF	ON	ON	ON
8		ON	OFF	OFF	OFF
9		ON	OFF	OFF	ON

■ Output at The Loss of Communication

OUTPUT AT THE LOSS OF COMMUNICATION	SW2
	5
Output Hold (*) (last data correctly received is hold)	OFF
Stop output (Output fixed at OFF)	ON

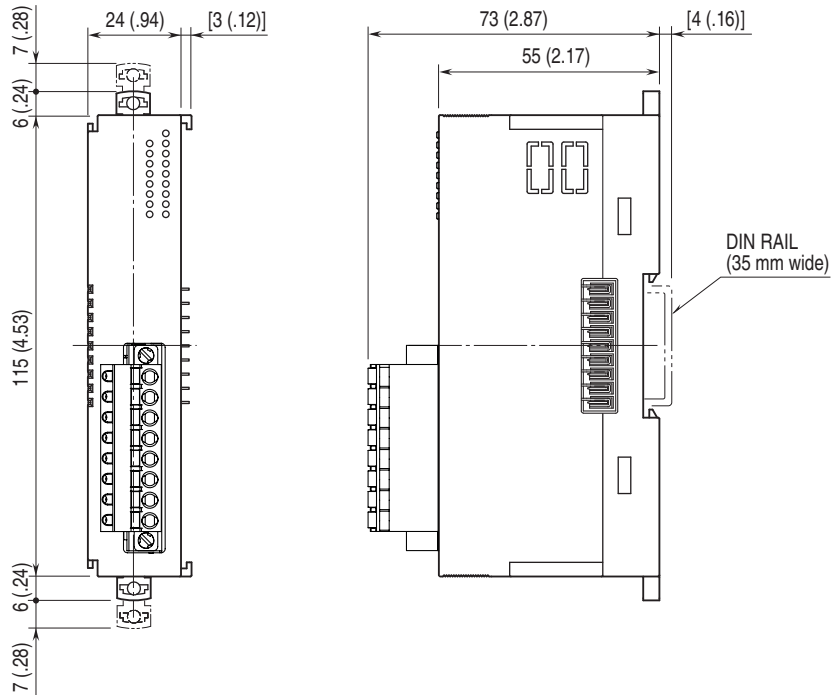
■ Terminator DIP SW

TERMINATOR SW	SW2
	6
Without (*)	OFF
With	ON

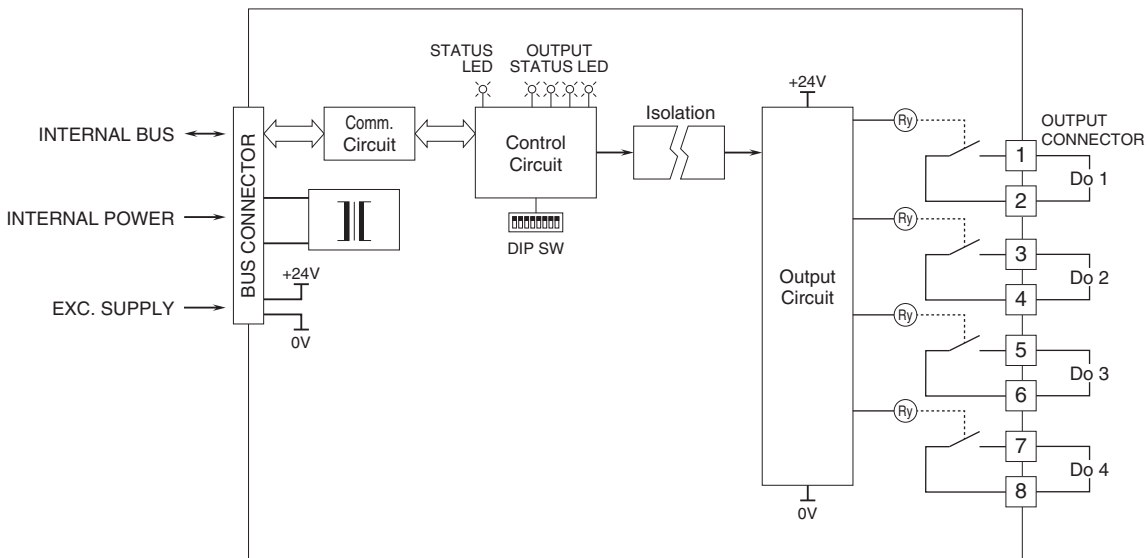
■ Configuration Mode

CONFIGURATION MODE	SW2
	8
DIP switch setting (*)	OFF
PC Configurator and communication	ON

DIMENSIONS unit: mm (inch)



SCHEMATIC CIRCUITRY & CONNECTION DIAGRAM



Specifications are subject to change without notice.