

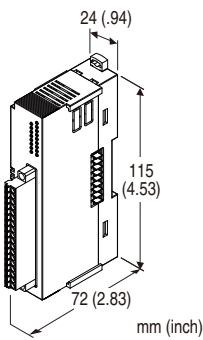
Remote I/O R8 Series

DISCRETE INPUT MODULE, 16 points

(Tension clamp terminal block)

Functions & Features

- 16 channels for discrete input, compact size remote I/O module
- 18 pins tension clamp connector



MODEL: R8-DAT16A2[1]

ORDERING INFORMATION

- Code number: R8-DAT16A2[1]
Specify a code from below for [1].
(e.g. R8-DAT16A2/Q)
- Specify the specification for option code /Q
(e.g. /C01)

[1] OPTIONS

blank: none

/Q: With options (specify the specification)

SPECIFICATIONS OF OPTION: Q

COATING (For the detail, refer to M-System's web site.)

/C01: Silicone coating

/C02: Polyurethane coating

RELATED PRODUCTS

- PC configurator software (model: R8CFG)
Downloadable at M-System's web site.
A dedicated cable is required to connect the module to the PC. Please refer to the internet software download site or the users manual for the PC configurator for applicable cable types.

GENERAL SPECIFICATIONS

Connection

- **Input:** Tension clamp
Applicable wire size: 0.2 - 1.5 mm²
Stripped length: 10 mm
- **Excitation supply, internal bus:**
Connected to internal bus connector
- **Internal power:** Via bus connector

Isolation: Input or exc. supply to internal bus or internal power

Module address: With DIP switch

Terminating resistor: Built-in (DIP Switch, default: disable)

Status indicator: Bi-color (red/green) LED; Refer to the instruction manual.

Discrete input status indicators: Green LED; Refer to the instruction manual.

INPUT SPECIFICATIONS

Common: Positive common (NPN)

Number of input: 16 points

Maximum inputs applicable at once: No limit (at 24 V DC)

Rated input voltage: 24 V DC $\pm 10\%$; ripple 5 %p-p max.

ON voltage / current: ≥ 15 V DC (input - 24 V) / ≥ 2.3 mA

OFF voltage / current: ≤ 5 V DC (input - 24 V) / ≤ 1 mA

Input current: ≤ 4.5 mA per point at 24 V DC

Input resistance: Approx. 5.7 k Ω

ON delay: ≤ 2.0 msec.

OFF delay: ≤ 2.0 msec.

INSTALLATION

Max. current consumption: 100 mA

Operating temperature: -10 to +55°C (14 to 131°F)

Operating humidity: 30 to 90 %RH (non-condensing)

Atmosphere: No corrosive gas or heavy dust

Mounting: DIN rail

Weight: 110 g (0.24 lb)

PERFORMANCE

Data allocation: 1

Module addresses in use: 1

Power output (input terminal): Rated current 3 A DC (rated current 3 A for internal fuse (slow blow fuse i^2t (A²sec) max. 5.04)

Insulation resistance: ≥ 100 M Ω with 500 V DC

Dielectric strength: 1500 V AC @ 1 minute

(input or exc. supply to internal bus or internal power to ground)

STANDARDS & APPROVALS

EU conformity:

EMC Directive

EMI EN 61000-6-4

EMS EN 61000-6-2

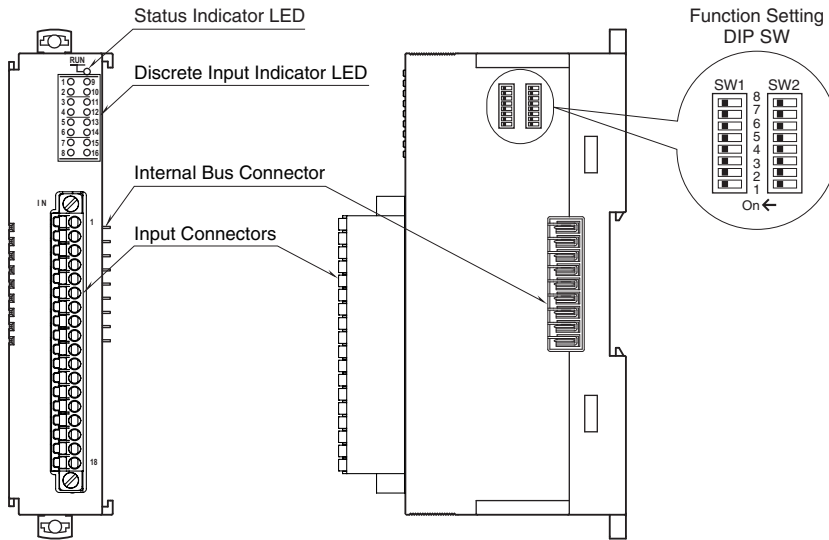
RoHS Directive

EN 50581

EXTERNAL VIEW

FRONT VIEW

SIDE VIEW



OPERATING MODE SETTING

(*) Factory default

Be sure to set unused SW 2-1 through 2-5 and 2-7, 2-8 to OFF

Module Address

The SW1-1, SW1-2, SW1-3, SW1-4 determines the tenth place digit, while the SW1-5, SW1-6, SW1-7, SW1-8 does the ones place digit of the address.

Address is selected between 0 to 31.

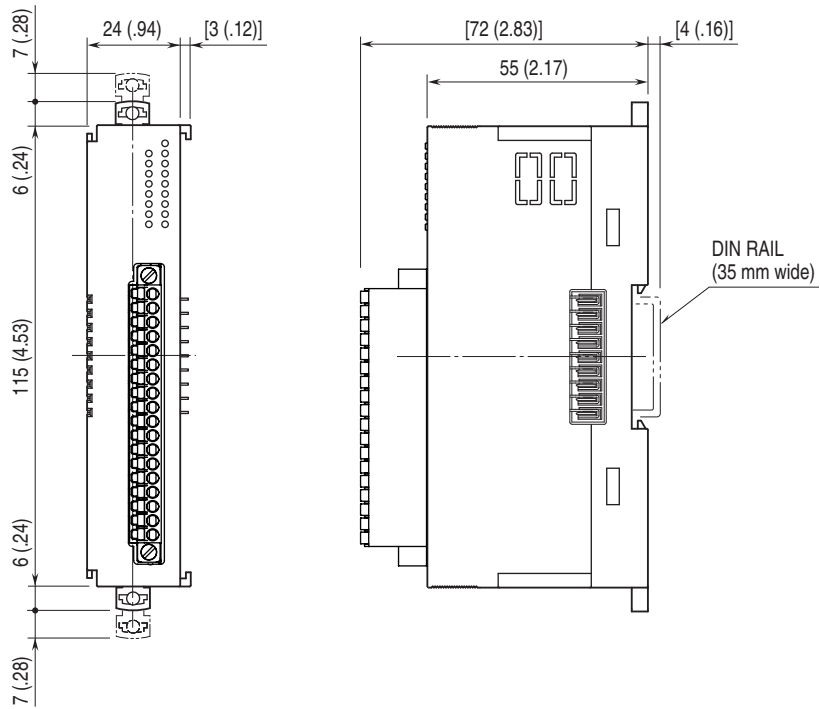
(Factory setting: 0)

MODULE ADDRESS	SW1				
	×10	1	2	3	4
	×1	5	6	7	8
0		OFF	OFF	OFF	OFF
1		OFF	OFF	OFF	ON
2		OFF	OFF	ON	OFF
3		OFF	OFF	ON	ON
4		OFF	ON	OFF	OFF
5		OFF	ON	OFF	ON
6		OFF	ON	ON	OFF
7		OFF	ON	ON	ON
8		ON	OFF	OFF	OFF
9		ON	OFF	OFF	ON

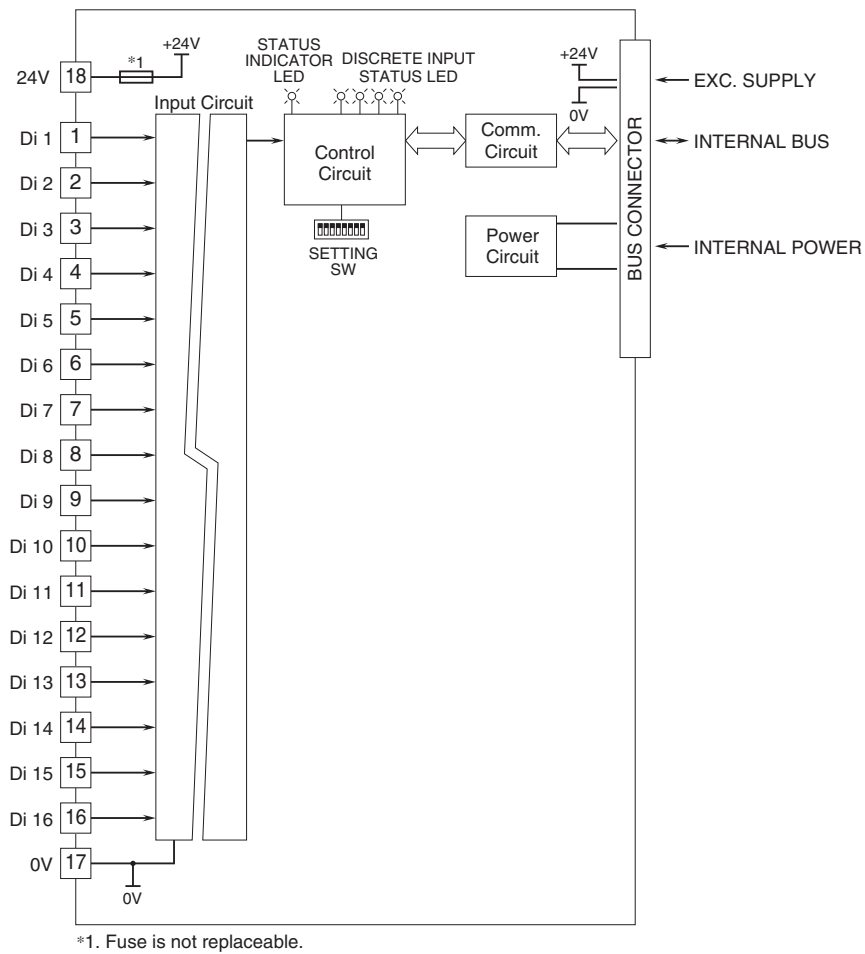
Terminator DIP SW

TERMINATOR SW	SW2
	6
Without (*)	OFF
With	ON

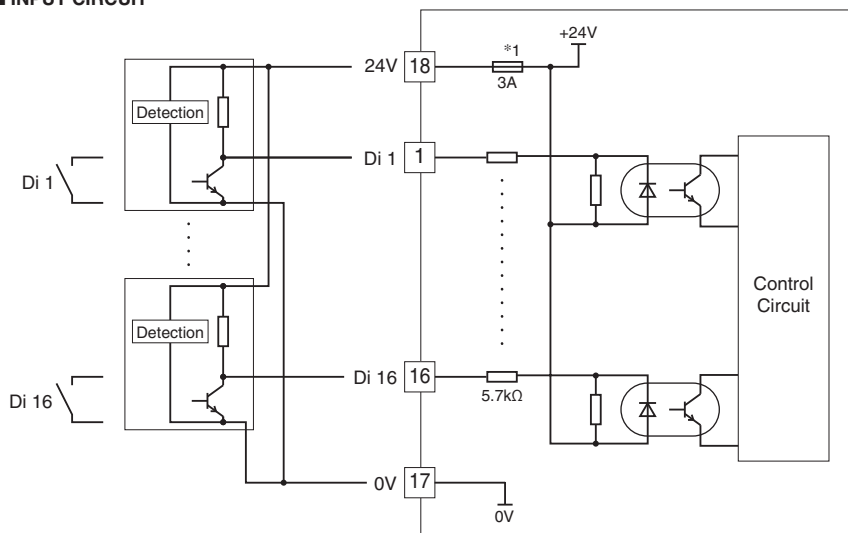
DIMENSIONS unit: mm (inch)



SCHEMATIC CIRCUITRY & CONNECTION DIAGRAM



INPUT CIRCUIT



Specifications are subject to change without notice.