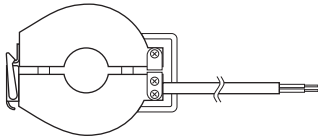


## CLAMP-ON CURRENT SENSOR

(1A output)

### Functions & Features

- Easy-to-install, spring-loaded, clamp-on type current sensor
- Over-voltage clamp element for safety in open circuit
- 1 A output



## MODEL: CLSD-[1]-[2]-1

### ORDERING INFORMATION

- Code number: CLSD-[1]-[2]-1

Specify a code from below for each [1] and [2].

(e.g. CLSD-A-15-1)

Special specifications are possible. Consult factory.

(Input: 100 to 3000 A, Output: 1 A or 5 A)

### [1] INTERNAL DIAMETER

- A: 24 (Select 15 or 20 for Input suffix code.)
- B: 36 (Select 30 or 40 for Input suffix code.)
- C: 60 ( Select 80 or 100 for Input suffix code.)
- D: 100 (Select 200 for Input suffix code.)

### [2] INPUT

- 15: 150 A
- 20: 200 A
- 30: 300 A
- 40: 400 A
- 80: 800 A
- 100: 1000 A
- 200: 2000 A

### OUTPUT

#### Current

- 1: 1 A

### CAUTION

Before you remove the sensor module or mount it, turn off the input signal for safety. While the line is alive, the module's cores, attracted to each other, may be hard to separate.

### RELATED PRODUCTS

AC current, watt, power factor transducers with 1 A input

- CT input module (model: R3-CT4)
- Multi power input module (model: R3-WT1)
- AC power input module (model: R3-WT4)
- AC current transducer (model: 14CE)
- AC current transducer (model: LTCE)
- CT transmitter (model: CT)
- CT transmitter (model: KCE)
- CT transmitter (model: M2CE)
- CT transmitter (model: M5CT)
- Multi power monitor (model: 53U, 54U)

### GENERAL SPECIFICATIONS

**Construction:** Clamp

**Housing material:** Flame-resistant resin (black)

**Applicable wire:** Min. 0.75 mm<sup>2</sup>

**Output clamp voltage:** ±1.4 Vp-p

### INPUT SPECIFICATIONS

**Max. working voltage:** 480 V AC (primary side)

**Overload capacity:** 120 % continuous, 4000 % for 1 minute

**Operational range**

CLSD-A-15: ≤ 150 A

CLSD-A-20: ≤ 200 A

CLSD-B-30: ≤ 300 A

CLSD-B-40: ≤ 400 A

CLSD-C-80: ≤ 800 A

CLSD-C-100: ≤ 1000 A

CLSD-D-200: ≤ 2000 A

### INSTALLATION

**Operating temperature:** -20 to +60°C (-4 to +140°F)

**Operating humidity:** 85 % RH max. (non-condensing)

**Mounting:** Fix with a binding strap.

**Weight**

CLSD-A: 230 g (0.51 lbs)

CLSD-B: 350 g (0.77 lbs)

CLSD-C: 500 g (1.1 lbs)

CLSD-D: 950 g (2.1 lbs)

### PERFORMANCE

**Rated primary current / rated secondary current**

CLSD-A-15: 150 A / 1 A

CLSD-A-20: 200 A / 1 A

CLSD-B-30: 300 A / 1 A

CLSD-B-40: 400 A / 1 A

CLSD-C-80: 800 A / 1 A

CLSD-C-100: 1000 A / 1 A

CLSD-D-200: 2000 A / 1 A

**Rated VA:** 0.5 VA

**Frequency:** 50 / 60 Hz

**Ratio error:**  $\pm 1.0\%$ , 1.0 In /  $\pm 1.5\%$ , 0.2 In

**Phase displacement error:**  $\pm 80'$ , 1.0 In /  $\pm 120'$ , 0.2 In

**Insulation resistance:**  $\geq 100\text{ M}\Omega$  with 500 V DC

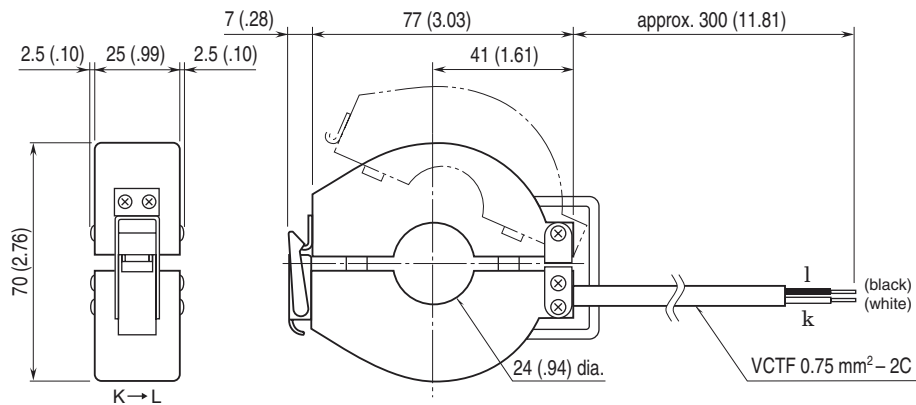
(sensor core to output)

**Dielectric strength:** 2000 V AC @ 1 minute

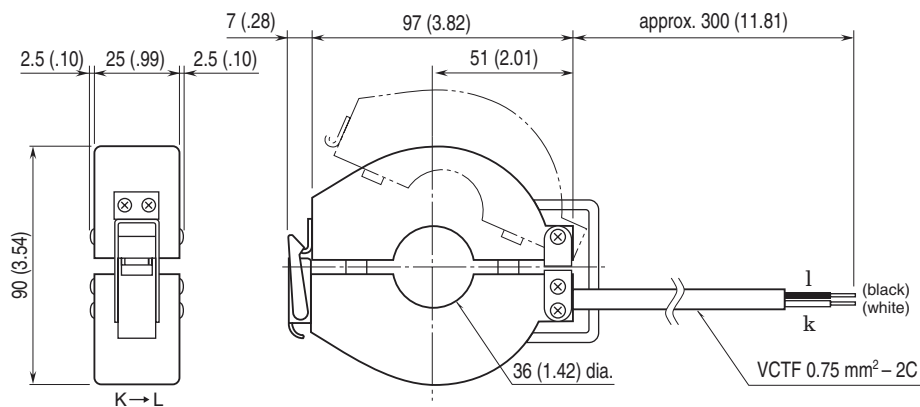
(sensor core to output)

## EXTERNAL DIMENSIONS mm (inch)

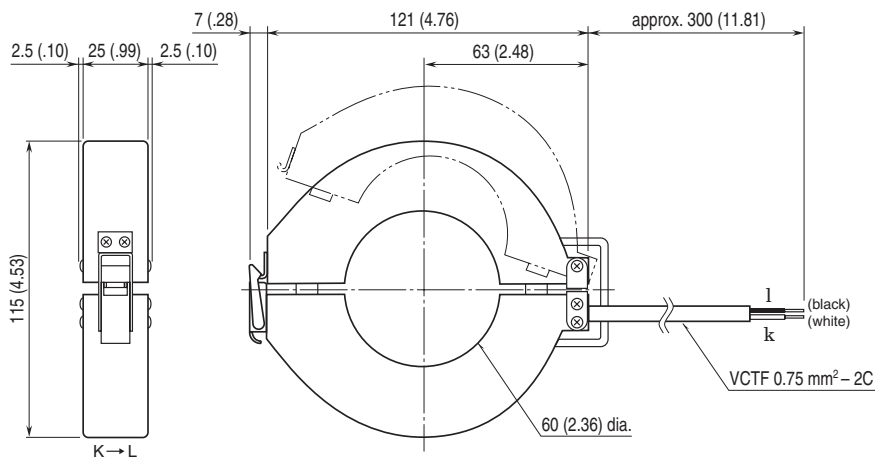
### ■ CLSD-A



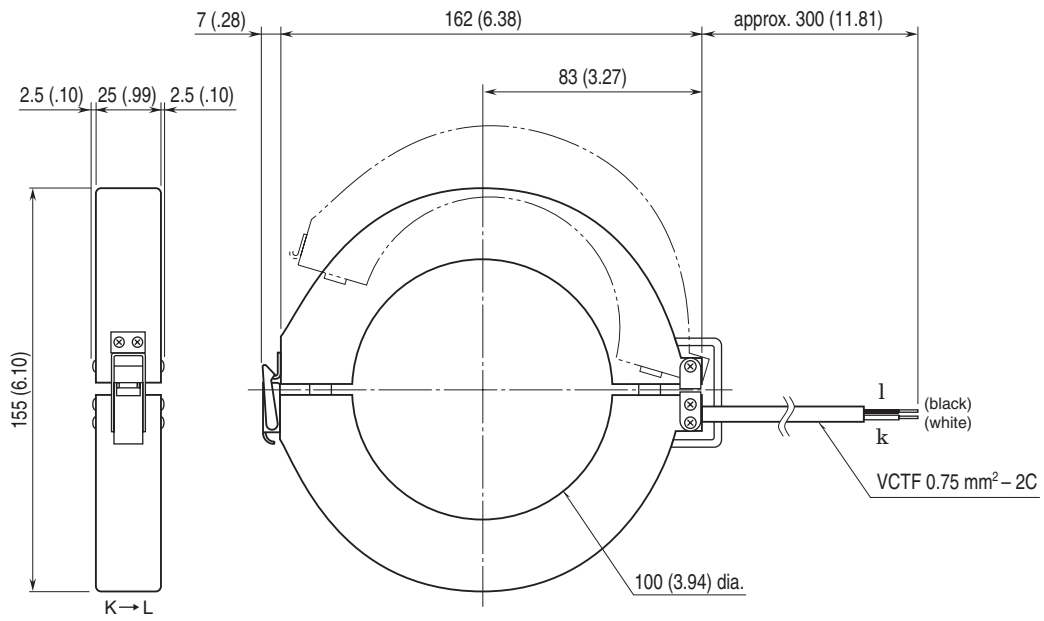
### ■ CLSD-B




### ■ CLSD-C



■ CLSD-D



 Specifications are subject to change without notice.