

Plug-in Signal Conditioners M-UNIT

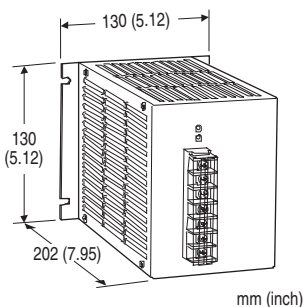
1A OUTPUT TRANSMITTER

Functions & Features

- Converting a DC input into 0 -1 A DC
- 50 % zero & span adjustments
- I/O isolation
- Low heat emission design (12 W with maximum load)

Typical Applications

- Driving hydraulic machinery
- Remote setting for testing equipment



MODEL: 99SVA-[1]V-M

ORDERING INFORMATION

- Code number: 99SVA-[1]V-M
- Specify a code from below for [1]
(e.g. 99SVA-3V-M)
- Special input range (For codes Z & 0)

[1] INPUT

Current

- A: 4 - 20 mA DC (Input resistance 250 Ω)
- A1: 4 - 20 mA DC (Input resistance 50 Ω)
- B: 2 - 10 mA DC (Input resistance 500 Ω)
- C: 1 - 5 mA DC (Input resistance 1000 Ω)
- D: 0 - 20 mA DC (Input resistance 50 Ω)
- E: 0 - 16 mA DC (Input resistance 62.5 Ω)
- F: 0 - 10 mA DC (Input resistance 100 Ω)
- G: 0 - 1 mA DC (Input resistance 1000 Ω)
- H: 10 - 50 mA DC (Input resistance 100 Ω)
- GW: -1 - +1 mA DC (Input resistance 1000 Ω)
- FW: -10 - +10 mA DC (Input resistance 100 Ω)
- Z: Specify current (See INPUT SPECIFICATIONS)

Voltage

- 3: 0 - 1 V DC (Input resistance 1 MΩ min.)
- 4: 0 - 10 V DC (Input resistance 1 MΩ min.)
- 5: 0 - 5 V DC (Input resistance 1 MΩ min.)

- 6: 1 - 5 V DC (Input resistance 1 MΩ min.)
- 4W: -10 - +10 V DC (Input resistance 1 MΩ min.)
- 5W: -5 - +5 V DC (Input resistance 1 MΩ min.)
- 0: Specify voltage (See INPUT SPECIFICATIONS)

OUTPUT

Current

V: 0 - 1 A DC (Load resistance 20 Ω max.)

POWER INPUT

AC Power

M: 85 - 264 V AC (Operational voltage range 85 - 264 V, 47 - 66 Hz)

GENERAL SPECIFICATIONS

Connection: M4 screw terminals

Housing material: SPCC (coated with colored Zn-Cr)

Isolation: Input to output to power

Overrange output: 0 - 105 %

Zero adjustment: 0 - 50 % (output at 0 % input) (front)

Span adjustment: 50 - 100 % (output at 100 % input) (front)

INPUT SPECIFICATIONS

- **DC Current:** Input resistor incorporated
- Specify input resistance value for code Z.
- **DC Voltage:** -300 - +300 V DC
- Minimum span:** 0.8 V
- Offset:** Max. 1.5 times span
- Input resistance:** ≥ 1 MΩ

INSTALLATION

Power input

• **AC:** Approx. 75 VA

Power consumption: Approx. 12 W (excluding that of output current)

Operating temperature: -5 to +45°C (23 to 113°F)

Operating humidity: 30 to 90 %RH (non-condensing)

Mounting: Surface

Weight: 2 kg (4.4 lbs)

PERFORMANCE in percentage of span

Accuracy: ±0.2 %

Temp. coefficient: ±0.02 %/°C (±0.01 %/°F)

Response time: ≤ 0.5 sec. (0 - 90 %)

Line voltage effect: ±0.2 % over voltage range

Insulation resistance: ≥ 100 MΩ with 500 V DC

Dielectric strength: 2000 V AC @ 1 minute

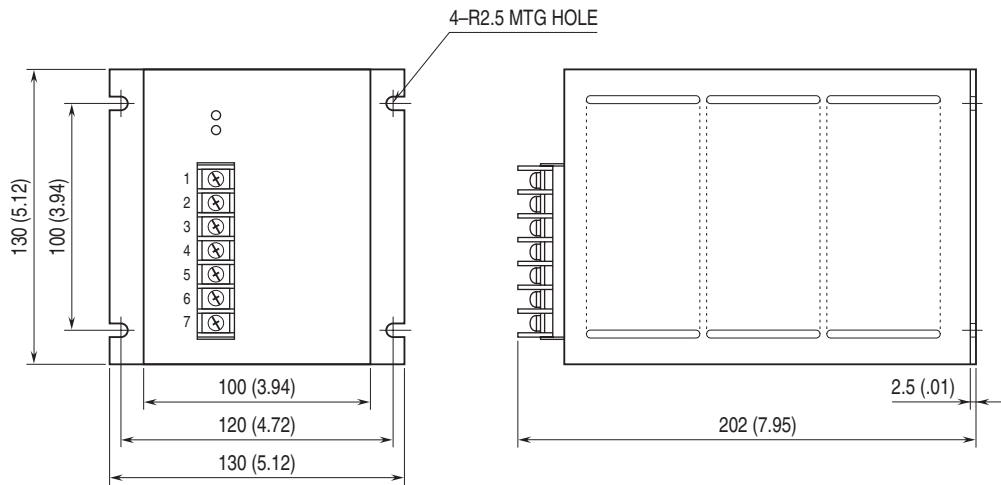
(input to output to power)

2000 V AC @ 1 minute

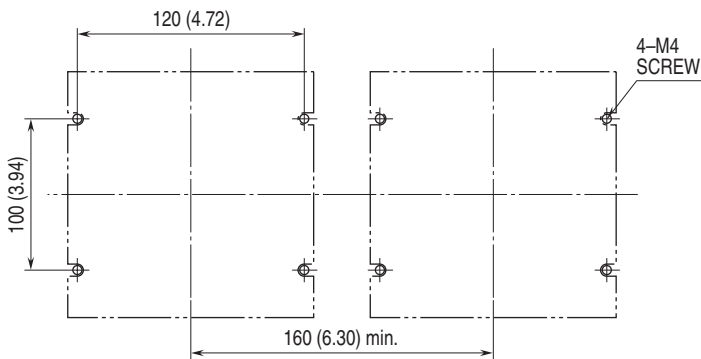
(input to power to ground)

500 V AC @ 1 minute (output to ground)

EXTERNAL DIMENSIONS & TERMINAL ASSIGNMENTS unit: mm (inch)

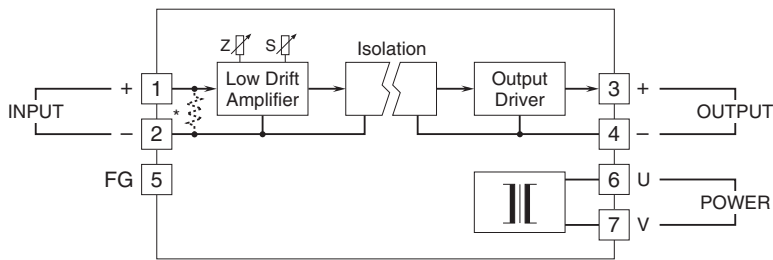


MOUNTING REQUIREMENTS unit: mm (inch)



Observe at the minimum of 30 mm (1.2") for ventilation in all directions.

SCHEMATIC CIRCUITRY & CONNECTION DIAGRAM



*Input shunt resistor incorporated for current input.



Specifications are subject to change without notice.