

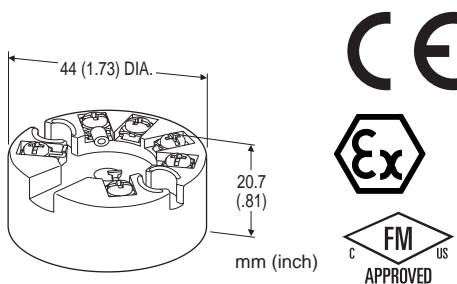
Head-mounted Two-wire Signal Conditioners 27-UNIT

RTD TRANSMITTER

(PC programmable)

Functions & Features

- Accepts direct input from an RTD and provides a standard 4 - 20 mA DC signal
- Suitable for Functional Safety applications up to SIL2
- I/O range programming via PC Configurator
- User's temperature table can be used
- Self diagnostics
- Low temperature drift
- CE marking (conforms to ATEX and EMC)



MODEL: 27RS-[1][2]

ORDERING INFORMATION

• Code number: 27RS-[1][2]

Specify a code from below for each [1], [2].
(e.g. 27RS-0/M)

Use Ordering Information Sheet (No. ESU-7653). Factory standard setting will be used if not otherwise specified.

Specify the country in which the product is to be used with the Safety Approval code 2.

[1] SAFETY APPROVAL

0: None

1: FM intrinsically safe

(Option code /M is not selectable)

2: CENELEC intrinsic safety (ATEX)

(Option code /M is not selectable)

[2] OPTIONS

Function Monitor LED

Blank: Without

/M: With

RELATED PRODUCTS

- USB interface Bell202 modem (model: COP-HU)
Usable in 'non-hazardous' area only.
- PC configurator software (model: 27MCFG)
Downloadable at M-System's web site.

GENERAL SPECIFICATIONS

Construction: Sensor head-mounting

Connection: M3 screw terminals (torque 0.5 N·m)

Screw terminal: Nickel-plated brass

Housing material: Flame-resistant resin (black)

Isolation: Input to output

User-configurable items: PC and the transmitter are connected with the COP-HU.

- Input sensor type
- Number of wires
- Input range
- Burnout
- Output limits (Upper / Lower)
- Damping time (factory set to 0)
- Linearization
- Output calibration
- Loop test output

INPUT SPECIFICATIONS

The input is factory set for use with Pt 100 (JIS '97, IEC), 0 to 100°C.

- RTD (2-wire, 3-wire or 4-wire)

Input resistance: $\geq 1 \text{ M}\Omega$

Excitation: 0.2 mA

Allowable leadwire resistance: Max. 10 Ω per wire

Temperature Range

RTD	MIN. SPAN		USABLE RANGE
	°C	°F	
Pt 100 (JIS '97, IEC)	10	18	-200 to +850
	18	18	
Pt 500	10	18	-200 to +850
	18	18	
Pt 1000	10	18	-200 to +850
	18	18	
JPt 100 (JIS '89)	10	18	-200 to +510
	18	18	

OUTPUT SPECIFICATIONS

Output range: 4 - 20 mA DC

Operational range: 3.75 - 23 mA

Load resistance vs. supply voltage:

Load Resistance (Ω) = (Supply Voltage (V) - 9 (V)) / 0.023 (A) (including leadwire resistance)

Burnout: 3.75 - 3.8 mA or 21.5 - 23 mA
(factory set to 23 mA)

Upper output limit proportional to the input:

20 - 21.5 mA (factory set to 21.5 mA)

Lower output limit proportional to the input:

3.8 – 4 mA (factory set to 3.8 mA)

Update time: 440 msec.

INSTALLATION**Supply voltage:**

- 9 – 35 V DC (non-approved)
- 9 – 28 V DC (approved)

Operating temperature: -40 to +85°C (-40 to +185°F)

(See Safety Parameters for use in a hazardous location.)

Operating humidity: 0 to 95 %RH (non-condensing)**Mounting:** Head-mounting (DIN type B head)**Weight:** 50 g (1.76 oz)**PERFORMANCE**

Accuracy: $\pm 0.15^\circ\text{C}$ ($\pm 0.27^\circ\text{F}$), $\pm 0.075\%$ of span or $\pm 0.075\%$ of max. range, whichever is greater (max. range = 0 % or 100 % value, absolute value of whichever is greater.)

Temp. coefficient: 0.0075 %/°C (0.0004 %/°F)

Response time: ≤ 1 sec. (2- or 3-wire; 0 – 90 %) or ≤ 2 sec. (4-wire; 0 – 90 %) with damping time set to 0

Burnout response time: ≤ 2 sec.**Supply voltage effect:** $\pm 0.01\%$ of span/V**Insulation resistance:** $\geq 100\ \text{M}\Omega$ with 500 V DC**Dielectric strength:** 1500 V AC @1 minute (input to output)

Safety integrity level according to IEC 61508: Suitable for use in a safety instrumented system up to SIL2 (together with sensor) if appropriate safety instructions are observed. Consult M-System.

STANDARDS & APPROVALS**CE conformity:**

ATEX Directive (94/9/EC)

Ex ia EN 60079-11

EMC Directive (2004/108/EC)

EMI EN 61000-6-4

EMS EN 61000-6-2

Safety approval:

FM: Intrinsically safe

Class I, Division 1, Groups A, B, C and D

Class I, Zone 0, AEx ia IIC (US)

Class I, Zone 0, Ex ia IIC (Canada)

T4, T5 and T6

(Class 3610, ANSI/ISA 60079-11,

CAN/CSA-C22.2 No. 157,

CAN/CSA-C22.2 No. 60079-11)

CENELEC: Intrinsic safety (ATEX)

 II 1G, Ex ia IIC; T4, T5 and T6

(EN 60079-11: 2007)

SAFETY PARAMETERS**Operating temperature****For CENELEC (ATEX) / FM:**

T4: -40 to +80°C

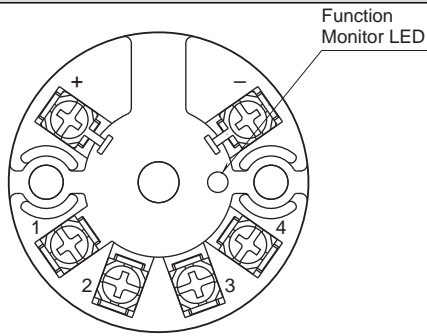
T5: -40 to +60°C

T6: -40 to +45°C

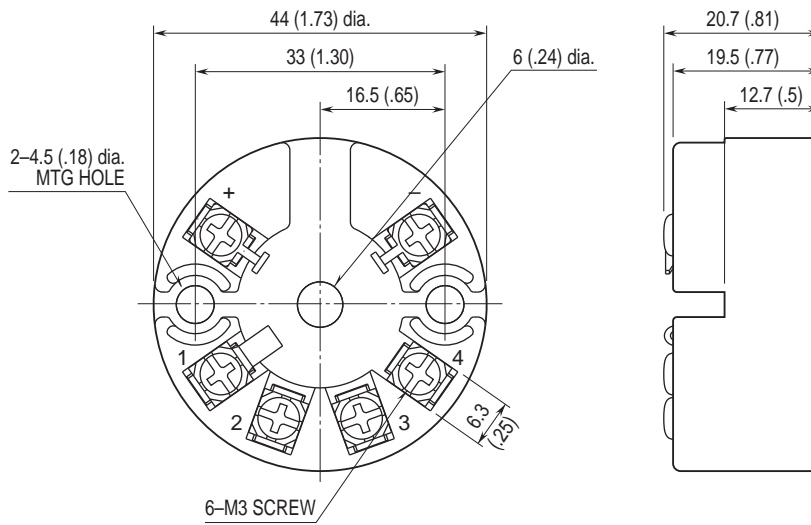
Ex-data:

- Output circuit
 - Ui (Vmax): 30 V DC
 - Ii (Imax): 96 mA DC
 - Pi (Pmax): 720 mW
 - Ci: 1 nF
 - Li: 0 mH
- Sensor circuit
 - Uo (Voc): 30 V DC
 - Io (Isc): 24 mA DC
 - Po: 180 mW
 - Co (Ca): 50 nF
 - Lo (La): 40 mH

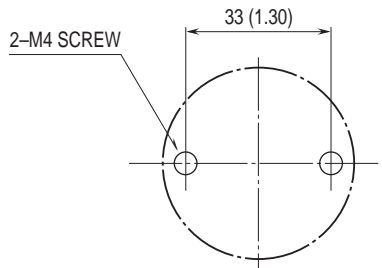
FUNCTION MONITOR LED (option /M)



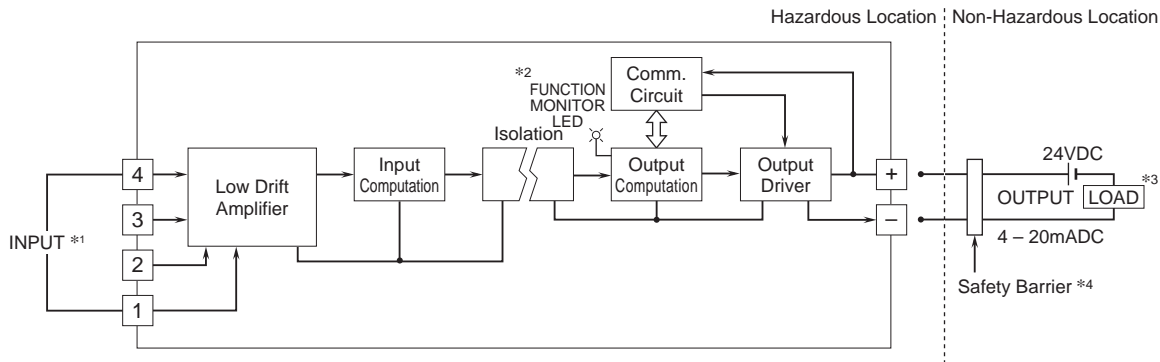
DIMENSIONS unit: mm (inch)



MOUNTING REQUIREMENTS unit: mm (inch)



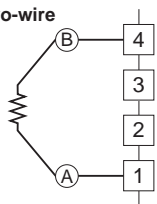
SCHEMATIC CIRCUITRY & CONNECTION DIAGRAM



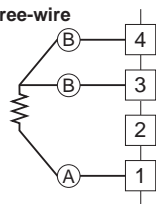
*1. Input Connection Examples

■ RTD & RESISTANCE

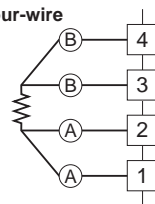
• Two-wire



• Three-wire



• Four-wire



*2. Option /M

*3. Limited to 250 – 500Ω when using the communication to configure the module.

*4. A safety barrier must be installed for the intrinsic safety.

The safety barrier must meet the Ex-data of this unit and must be approved for the hazardous location.



Specifications are subject to change without notice.