

Head-mounted Two-wire Signal Conditioners 26-UNIT

RTD TRANSMITTER

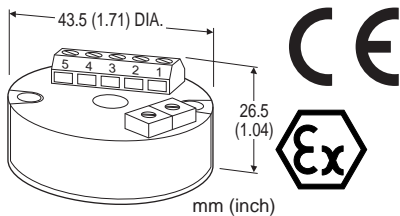
(intrinsically safe)

Functions & Features

- Accepts direct input from an RTD and provides a standard 4 – 20mA DC signal
- Linearization and burnout
- Intrinsic Safety
- CE marking (conforms to ATEX and EMC)

Typical Applications

- Mounting in a sensor connection head minimizes noise effect and signal degradation



MODEL: 26REX-4[1]

ORDERING INFORMATION

- Code number: 26REX-4[1]

Specify a code from below for [1].

(e.g. 26REX-41)

- Temperature range (e.g. 0 – 100°C)

English manual is included in the product package. Use Ordering Information Sheet (No. ESU-4267) to specify the country in which the product is to be used.

INPUT RTD (2- or 3-wire)

4: Pt 100 (JIS'97, IEC)

[1] TEMPERATURE UNIT

1: °C

2: °F

GENERAL SPECIFICATIONS

Construction: Sensor head-mounting

Connection: Euro terminal

Applicable wire size: 0.2 – 1.5 mm²

Housing material: Flame-resistant resin (black)

Zero adjustment: -1 to +5 % (front)

Span adjustment: 95 to 105 % (front)

Burnout: Upscale

Linearization: Standard

INPUT SPECIFICATIONS

INPUT: 2- or 3-wire RTDs

Maximum leadwire resistance: 20 Ω per wire (3-wire)

Sensing current: 1 mA

Temperature range

°C: 0 – 50, 0 – 100, 0 – 150, 0 – 200, 0 – 300,

0 – 400, 0 – 500, 0 – 650

°F: 0 – 100, 0 – 200, 0 – 300, 0 – 400, 0 – 600,

0 – 800, 0 – 1000, 0 – 1200

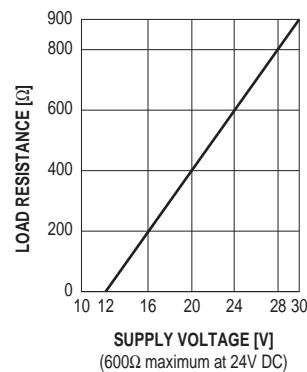
OUTPUT SPECIFICATIONS

■ **OUTPUT:** 4 – 20 mA DC

Load resistance vs. supply voltage:

Load Resistance (Ω) = (Supply Voltage (V) – 10 (V)) / (0.02 (A))

(including leadwire resistance)



INSTALLATION

Supply voltage: 12 – 30 V DC

Operating temperature: -40 to +80°C (-40 to +176°F)

Operating humidity: 0 to 90 %RH (non-condensing)

Mounting: Head-mounting (DIN type B head)

Weight: 30 g (1.1 oz)

PERFORMANCE in percentage of span

Accuracy: ±0.1 % or ±0.1°C (±0.2°F), whichever is greater.

Temp. coefficient: ±0.02 %/°C (±0.01 %/°F)

Response time: ≤ 0.5 sec. (0 – 90 %)

STANDARDS & APPROVALS

CE conformity:

ATEX Directive (94/9/EC)

Ex ia EN 50020

EMC Directive (2004/108/EC)

EMI EN 61000-6-4

EMS EN 61000-6-2

Safety approval:

CENELEC: Intrinsic safety (ATEX)

Ⓔ II 1G, EEx ia IIC T4
(EN 50020: 1994)

SAFETY PARAMETERS

Operating temperature

T4: -40 to +80°C

Ex-data:

- Output circuit

Ui: 30 V DC

Ii: 100 mA DC

Pi: 750 mW

Ci: 0 μF

Li: 0 mH

- Sensor circuit

Uo: 8 V DC

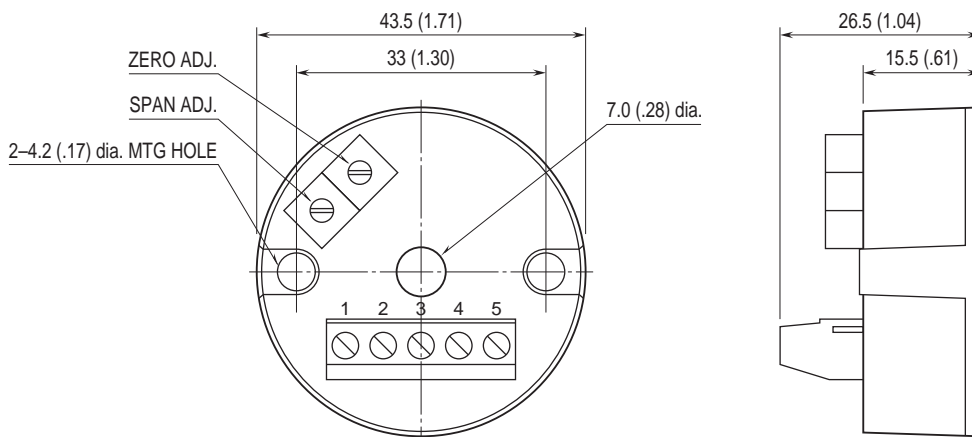
Io: 8 mA DC

Po: 16 mW

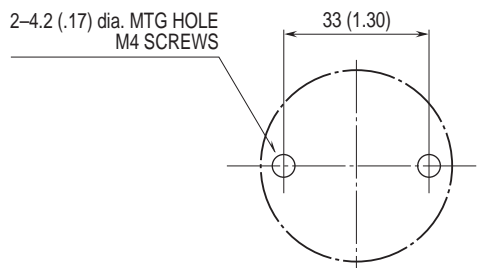
Co: 100 nF

Lo: 6 mH

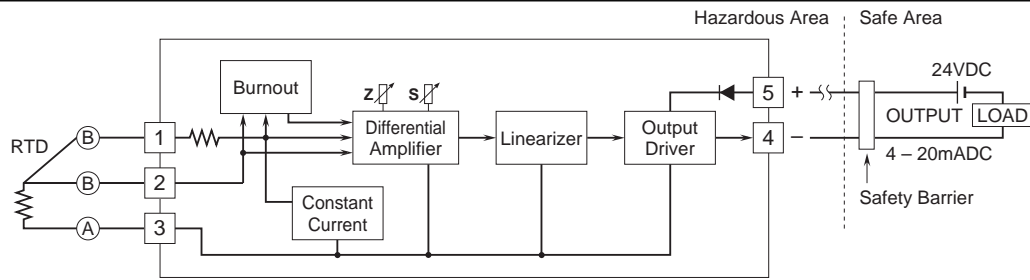
DIMENSIONS unit: mm (inch)



MOUNTING REQUIREMENTS unit: mm (inch)



SCHEMATIC CIRCUITRY & CONNECTION DIAGRAM



Specifications are subject to change without notice.